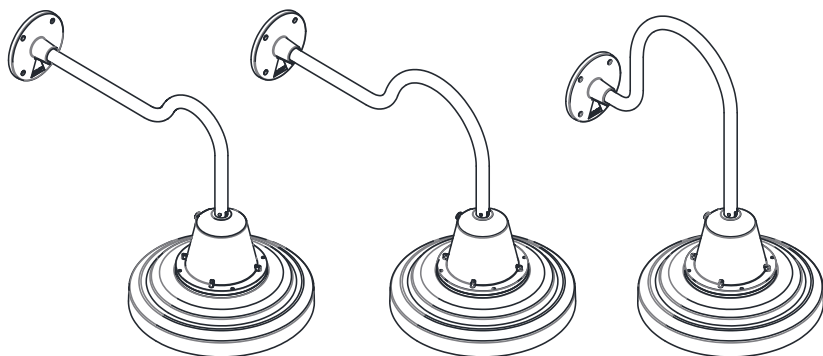


AMP[®] SECURE



INSTALLATION & MAINTENANCE GUIDE

AMP[®] SECURE Barn Light

ITEM: ABLM-4201-40S-UNV-S

SAVE THESE INSTRUCTIONS

IMPORTANT SAFETY INSTRUCTIONS

READ CAREFULLY BEFORE INSTALLING FIXTURE. RETAIN THESE INSTRUCTIONS FOR FUTURE REFERENCE.

Fixtures must be wired in accordance with all local codes and the National Electrical Code.

Proper grounding is required for safety.

THIS PRODUCT MUST BE INSTALLED IN ACCORDANCE WITH THE APPLICABLE INSTALLATION CODE BY A PERSON FAMILIAR WITH THE CONSTRUCTION AND OPERATION OF THE PRODUCT AND THE HAZARDS INVOLVED.

WARNING: Make certain power is OFF before installing or maintaining fixture. No user-serviceable parts inside.

Suitable for Wet locations.
Installation or Assembly Instructions.

IMPORTANT: PLEASE READ BEFORE INSTALLATION

1. This LED area light uses the latest in solid state lighting technology for long life, low maintenance, and high efficiency.
2. An internal power-factor-corrected switch-mode supply allows it to be used from any nominal 120V-277VAC driver without any variation in light output.
3. Suitable for use in the following locations:
 - Ambient Temp: -40~+40°C (-40~+104°F)
 - Wet Locations
4. Be sure the supply voltage is suitable for the Luminaire voltage.

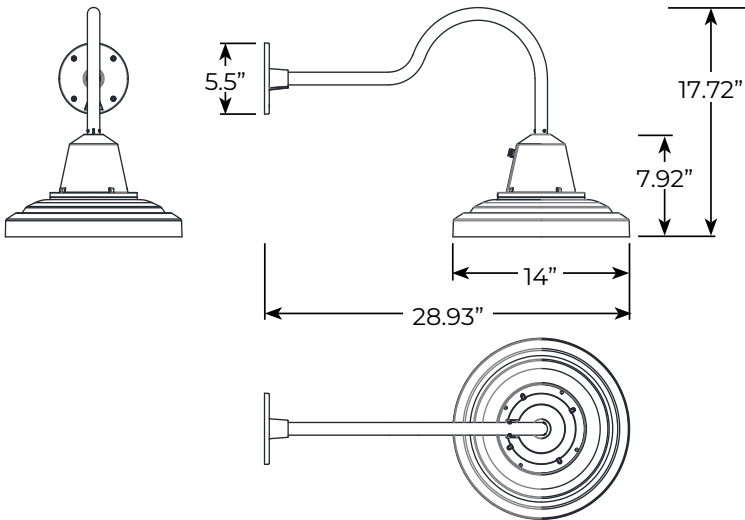
PACKAGE CONTENTS

- (1) Luminaire
- (1) Shade
- (1) Gooseneck Arm
- (1) Backplate
- (2) Socket Head Cap Screws
- (3) Set Screws
- (3) P4 Wire Connectors
- (2) P2 Wire Connectors
- (1) Clear Photocell Cap

*** There are 3 Gooseneck arm styles (standard, long and short). All of them are sold separately. Before installing, be sure you purchased the desired style.

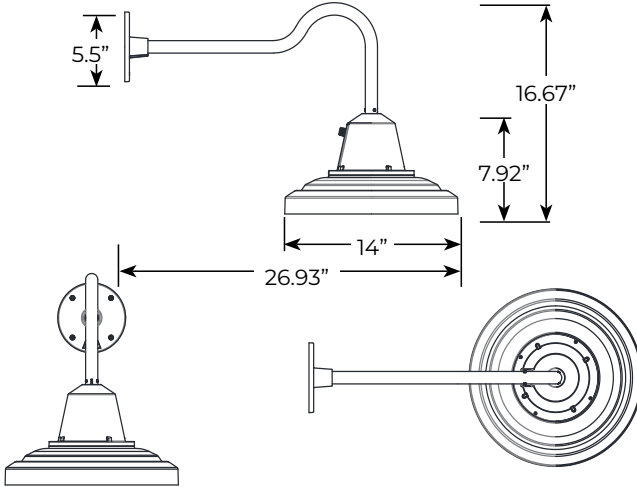
PRODUCT DIMENSIONS

Deep Shade and Standard Gooseneck Arm

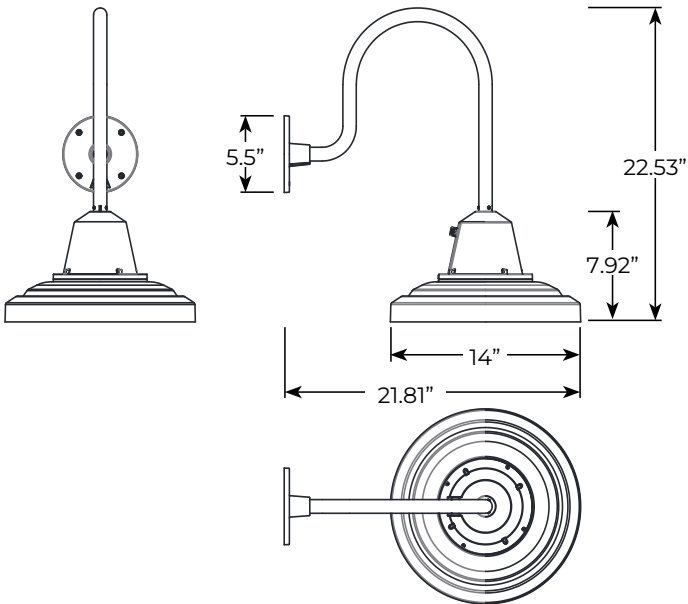


PRODUCT DIMENSIONS

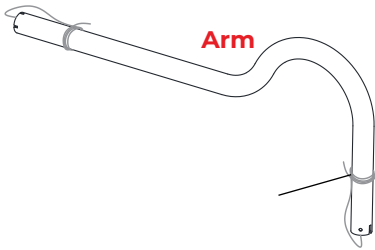
Deep Shade and Short Gooseneck Arm



Deep Shade and Long Gooseneck Arm

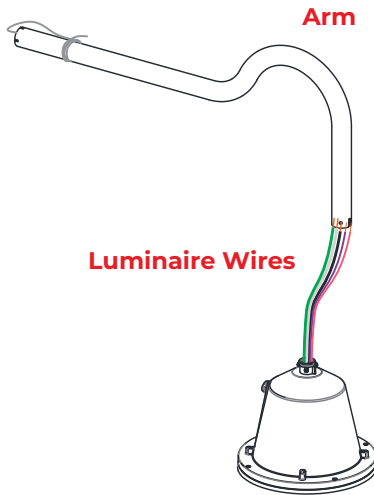


1 UNTIE ONE END OF THE THIN ROPE

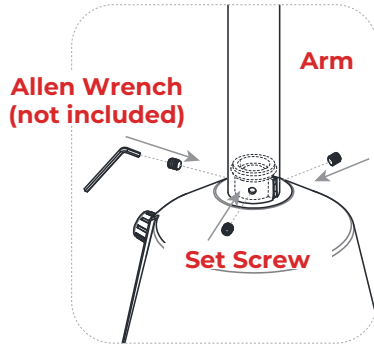
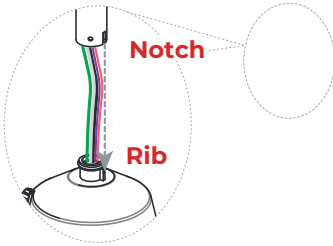


Use the string supplied to feed the wires through the arm.

2 TIE UP SUPPLY WIRES FROM LUMINAIRE

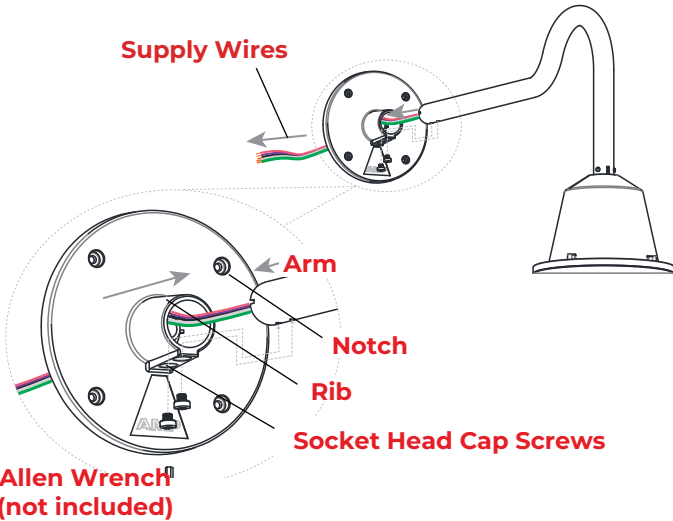


3 INSTALL ARM TO LUMINAIRE



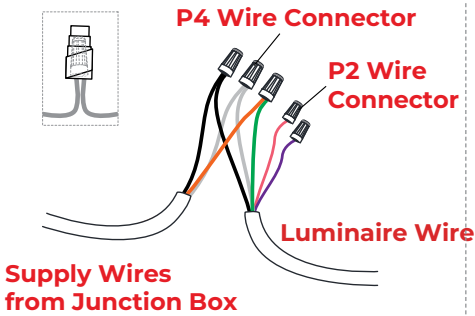
Engage the notch on the arm and the rib on the luminaire and secure with (3) set screws. Hand tighten securely with Allen wrench.

4 INSTALL WALLPLATE TO THE ARM

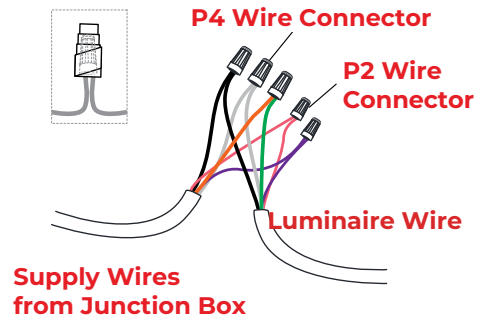


Feed the wires through the wallplate and align the notches on the arm to the ribs on the wallplate. Tighten the socket cap screws with Allen wrench.

5 CONNECT LUMINAIRE WIRES TO SUPPLY WIRES



Option 1: Supply Wires without dimming wires



Option 2: Supply Wires with dimming wires

All wiring connections must be made inside a UL approved Junction Box.

Connect the supply wires to the fixture wires as shown in the above diagram using the larger P4 wire connectors. If dimming wires are not present, cap them with the smaller P2 wire connectors. Compatible with 0-10V dimmers.

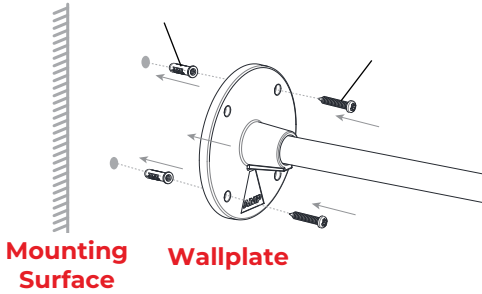
Connect the green ground wire to the green luminaire wire

Connect the white wire to the white luminaire wire

Connect the black wire to the black luminaire wire

Connect the dimming wires if present – purple wire to purple wire and pink wire to pink wire

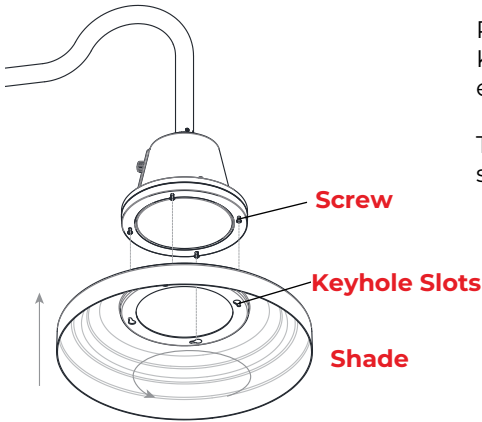
6 INSTALL WALLPLATE TO MOUNTING SURFACE



Secure the wallplate to the mounting surface with hardware suitable for the mounting surface. Use all (4) wallplate holes for a more secure installation

Hardware is not supplied

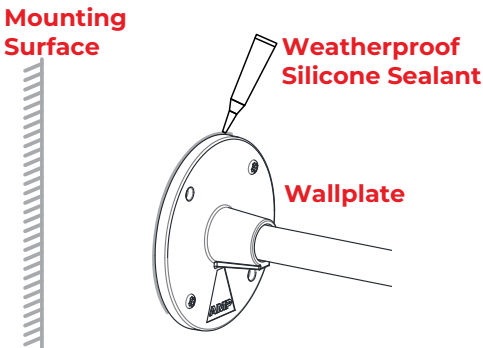
7 INSTALL SHADE TO LUMINAIRE BODY



Place the Shade over the Keyhole slots and rotate to engage all (4) screws.

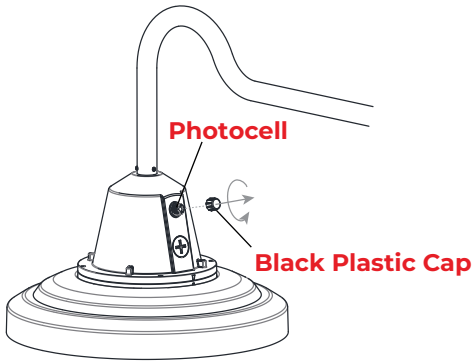
Tighten securely with a screwdriver

8 APPLY WEATHERPROOF SILICONE SEALANT

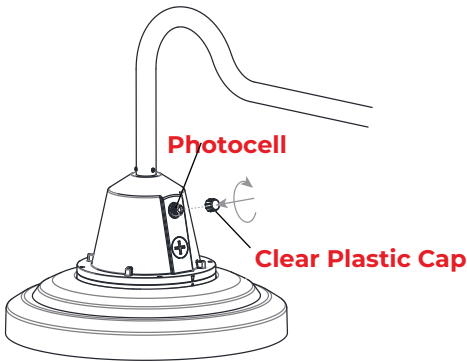


IMPORTANT NOTE:

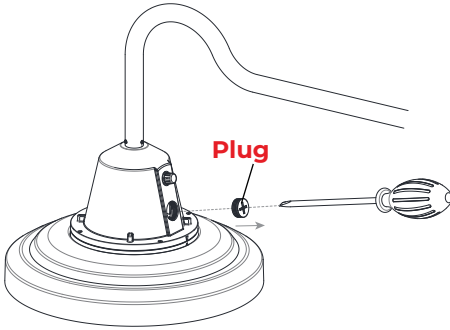
Apply weatherproof silicone sealant around the edge of the wallplate. Do NOT apply the sealant to the bottom of the wallplate. Leave a space at the bottom of the wallplate the size of the AMP LOGO for potential drainage.



To use the built-in Photocell function: Remove the black plastic cap and replace it with the clear cap

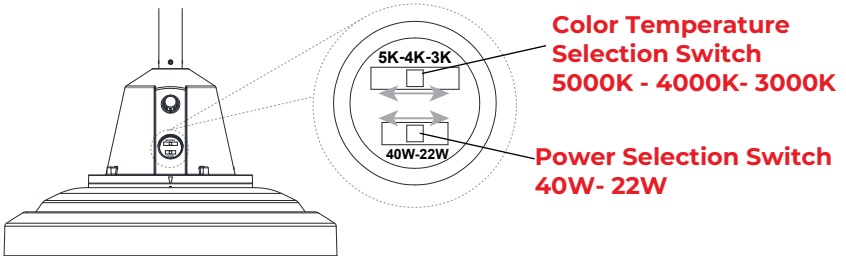


10 ACCESS TO SELECT SWITCHES



Remove the plug behind the fixture to access the color and power switches.

11 COLOR TEMPERATURE (CCT) & POWER SELECT SWITCHES



Replace the Plug with the O-Ring Gasket

AMP® **SECURE**

1-813-978-3700 • Mon-Fri 9am-6pm (ET)

Specifications and product details subject to change without notice.
© Copyright 2024, AMP® Lighting, Lutz FL USA 33549 • All rights reserved.
customersupport@amplighting.com • amplighting.com