

AMP SECURE

Cat. No

Notes

Types

PRODUCT NAME: Contemporary Floodlight

SKU: AFL-4034 & AFL-4035

AMP Secure's AFL contemporary flood light is available in two sizes and supplied with a decorative easy-install mounting plate. The series is full-featured with selectable lumen output and CCT, allowing for nine different configurations in one luminaire. The versatile contemporary flood light adjusts to illuminate a wide variety of spaces including building exteriors, backyards and activity areas. With it's durable die-cast aluminum housing and universal voltage (120-277V), the contemporary flood light is ideal for commercial and residential applications. Standard with an integrated photocontrol and 0-10V dimming, providing everything needed for an easy and successful installation.



Features & Benefits

Durable die-cast aluminum construction with a corrosion resistant textured finish.

Selectable lumens via a covered switch location on the luminaire - Small 2500/4000/5300 lumens, 15W/25W/35W or large 7000/9800/12500 lumens at 40W/60W/80W.

Selectable CCT (correlated color temperature) - allow users to adjust the color temperature of the light output from warm white (3000K) to cool white (4000K) to daylight (5000K).

Universal voltage 120-277V for compatibility with residential and commercial applications.

IP66 Rated and sealed with a silicone gasket for demanding outdoor environments. Suitable for wet locations.

Integrated photocontrol for dusk-to-dawn operation, 0-10V dimming standard.

5-Year warranty

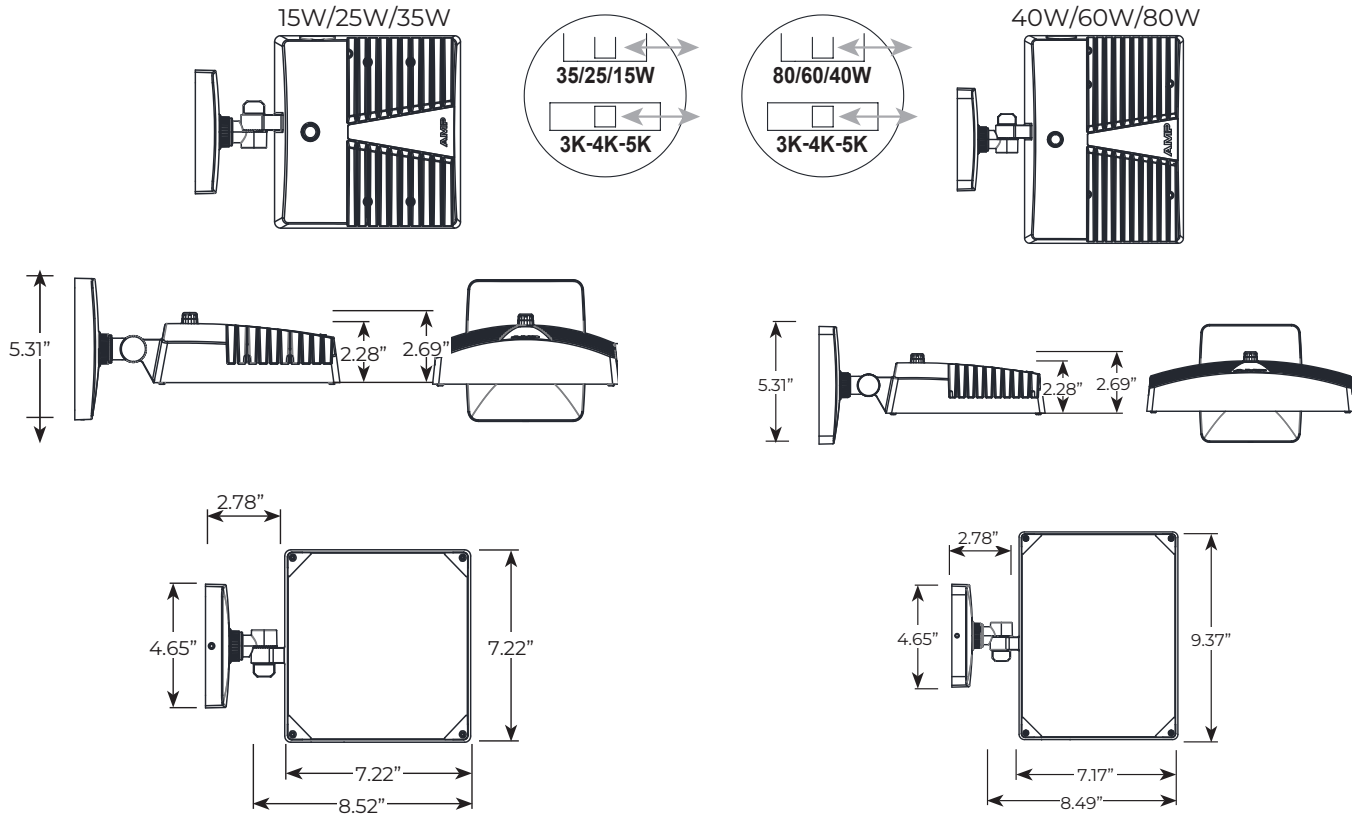


Ordering Information

Example: AFL-4034-35S-UNV-S-A-XX & AFL-4035-80S-UNV-S-A-XX

Product	Wattage	Voltage	CCT	Material	Finish
AFL-4034-35S	35S= Selectable, 15W, 25W, 35W 2500, 4000, 5300 lms	UNV= 120-277V	S= 3/4/5K Selectable	A= Aluminum	BZ= Bronze BK= Black
AFL- 4035-80S	85S= Selectable, 40W, 60W, 80W 7000, 9800, 12500 lms	UNV= 120-277V	S= 3/4/5K Selectable	A= Aluminum	BZ= Bronze BK= Black

Product Dimensions



Product Specifications

Construction

Rugged die-cast aluminum housing with heat dissipating fins for optimal thermal management, improved LED performance, and extended component life.

Clear UV and impact resistant polycarbonate lens for uniform light distribution and eliminates pixelation.

Silicone gasketed for a durable, watertight seal that helps prevent moisture, dust, and other contaminants from entering.

Premium precision engineered optics deliver wide NEMA 7x 7 distribution.

Compliance

UL Certified

IP66 Rated, suitable for wet locations.

Dark Sky friendly (or Zero uplight) when mounted at 0 degrees.

LM-79 Photometric testing in accordance with IES LM-79-08.

B.U.C. rating is B2-U1-G1 for 35W and B3-UO-G2 for 80W.

Mounting

Provided with a universal mounting bracket suitable for junction box installation. Provided with key hole neoprene gasket providing a seal to the junction box. Decorative wall mount plate included.

Mounting Continued

May be installed with 1/2" NPS threaded directly to a conduit body. Install in accordance with local building and electrical codes.

Bubble level and set screw ensure easy and repeatable level installation.

Adjustable tilt a full 180 degree rotations. Locks securely in place with interlocking teeth for reliable positioning.

Easy-install mounting plate includes security tether, allowing for easy single person wiring.

Electrical

Universal voltage 120-277V for compatibility with residential and commercial applications

Long-life, high-efficacy LED light engine is mounted on an internal aluminum heat sink to promote thermal management and long life

Selectable lumens - Small 2500/4000/5300 lumens, 15W/25W/35W or large 7000/9800/12500 lumens at 40W/60W/80W. One luminaire for various mounting heights based on application needs and preferences. Switch is located on the side of luminaire, beneath threaded plug.

Selectable CCT (correlated color temperature) - 3000K/4000K/5000K - allow users to adjust the color temperature of the light output from warm white (3000K) to cool white (4000K) to daylight (5000K).

Electrical Continued

Standard 4kV Surge Protection to protect against electrical surges.

Default factory settings are 35W (small) or 80W (large) and 4000K.

80 CRI for true color rendition ensuring a realistic and natural perception of the illuminated environment.

Optimal operating temperature range of -40 degree C (-40 F) - 40 degree C (104 F).

Class 1 drivers provide >90% Power Factor and <20% THD.

Integrated Controls

Integrated photocell for automated dusk to dawn control. Supplied with a clear cap for automated controls and a black cap to utilize a wall switch control.

Supplied with 0-10V dimming capability to control light levels.

Finish

High-end marine grade polyester powder coat paint. Electrostatically applied after 5-stage pre-treatment process including phosphate and passivation phases for additional corrosion resistance. The finish is rated per ASTM B117 for a minimum 1000-hour salt spray test.

Available in textured bronze and black.

Warranty

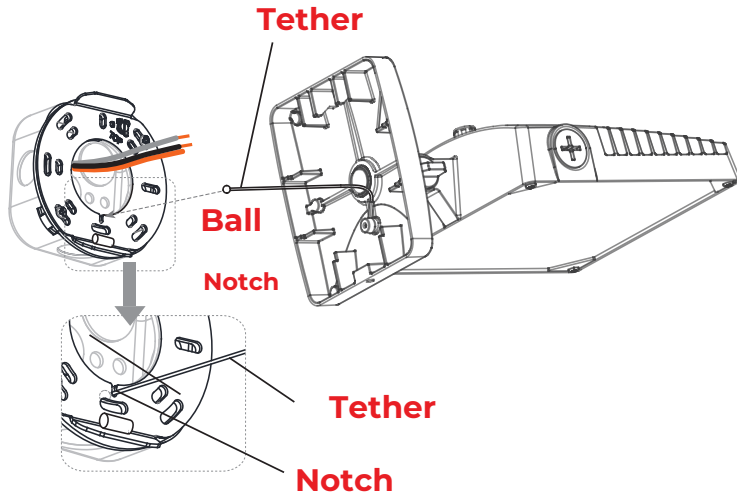
5 year limited warranty. Consult www.amplighting.com for more details.

AFL-4034-35S-UNV-S-A-XX

Nominal Wattage	CCT	Lumens	LPW	Amperage @120	Amperage @277	Legacy Equivalent
15W	3000	2269	149	.14A	.05A	50W HPS/MH
	4000	2345	157			
	5000	2403	156			
25W	3000	3651	145	.21A	.09A	100W HPS/MH
	4000	3855	156			
	5000	3870	151			
35W	3000	4821	137	.29A	.12A	150W HPS/MH
	4000	5164	152			
	5000	5128	144			

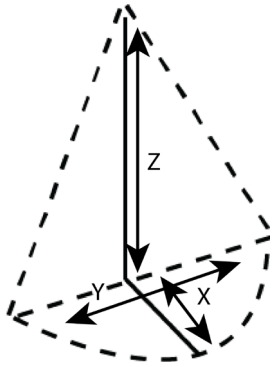
AFL-4035-80S-UNV-S-A-XX

Nominal Wattage	CCT	Lumens	LPW	Amperage @120	Amperage @277	Legacy Equivalent
40W	3000	6282	151	.36A	.14A	150-175W HPS/MH
	4000	6563	160			
	5000	6686	159			
60W	3000	8757	146	.52A	.21A	250W HPS/MH
	4000	9247	157			
	5000	9386	154			
80W	3000	11292	141	.68A	.29A	400W HPS/MH
	4000	12012	154			
	5000	12002	148			



Secure the tether ball into the mounting plate notch to help with hands-free wiring.

Suggested Mounting Height



Area Coverage

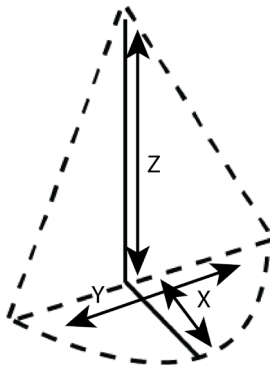
0.50 fc level at different mounting heights

Mounting Height (Z)			10'		15'		20'	
Product	Wattage	Lumens	X	Y	X	Y	X	Y
AFL-4034-35S	15W	2269	14'	36'	18'	44'	20'	52'
	25W	3651	16'	40'	18'	48'	22'	54'
	35W	4821	18'	42'	20'	52'	22'	56'

Luminaire position is facing downwards. All data is based on 3000 CCT.

X= Forward Throw Y= Wall Spread Z= Mounting Height

Suggested Mounting Height



Area Coverage

0.50 fc level at different mounting heights

Mounting Height (Z)			12'		16'		20'	
Product	Wattage	Lumens	X	Y	X	Y	X	Y
AFL-4035-80S	40W	6282	18'	56'	24'	64'	35'	70'
	60W	8757	20'	62'	26'	70'	38'	76'
	80W	11292	21'	66'	27'	74'	42'	88'

Luminaire position is facing downwards. All data is based on 3000 CCT.

X= Forward Throw Y= Wall Spread Z= Mounting Height