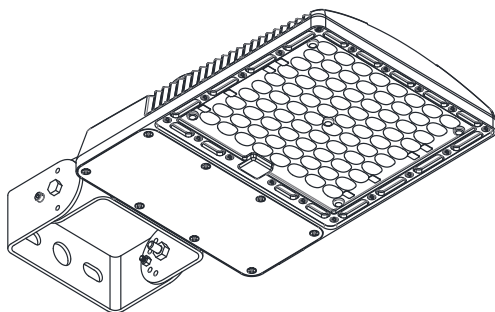


AMP[®] SECURE



INSTALLATION & MAINTENANCE GUIDE

AMP[®] SECURE Area Light

ITEM: ASA-4301-90S-UNV-S-TR

SAVE THESE INSTRUCTIONS

IMPORTANT: PLEASE READ BEFORE INSTALLATION

READ CAREFULLY BEFORE INSTALLING FIXTURE. RETAIN THESE INSTRUCTIONS FOR FUTURE REFERENCE.

Fixtures must be wired in accordance with all local codes and the National Electrical Code.
Proper grounding is required for safety.

THIS PRODUCT MUST BE INSTALLED IN ACCORDANCE WITH THE APPLICABLE INSTALLATION CODE BY A PERSON FAMILIAR WITH THE CONSTRUCTION AND OPERATION OF THE PRODUCT AND THE HAZARDS INVOLVED.

WARNING: Make certain power is OFF before installing or maintaining fixture. No user-serviceable parts inside. Suitable for Wet locations.

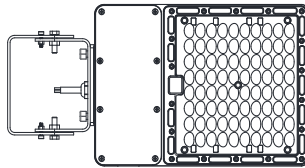
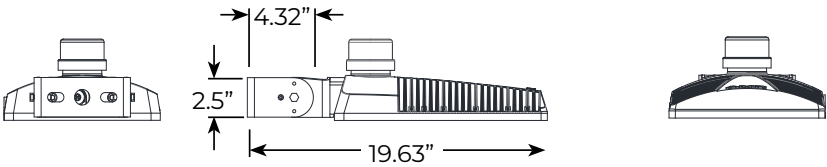
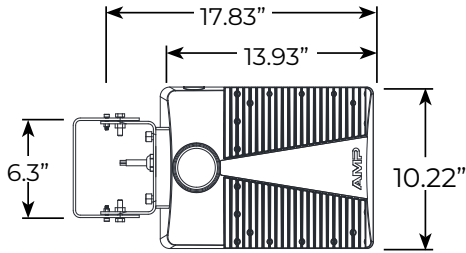
IMPORTANT SAFETY INSTRUCTIONS

1. This LED area light uses the latest in solid state lighting technology for long life, low maintenance, and high efficiency.
2. An internal power-factor-corrected switch-mode supply allows it to be used from any nominal 120V~277V driver without any variation in light output.
3. Suitable for use in the following locations:
 - Ambient Temp: -40~+40°C (-40~+104°F)
 - Wet Locations
4. Be sure the supply voltage is suitable for the Luminaire voltage.

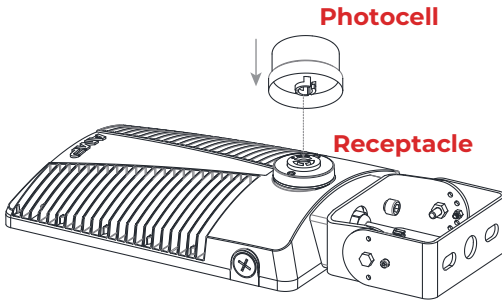
PACKAGE CONTENTS

- (1) Luminaire
- (1) Photocell
- (5) P4 Wire Connectors

PRODUCT DIMENSIONS



1 PHOTOCELL INSTALLATION



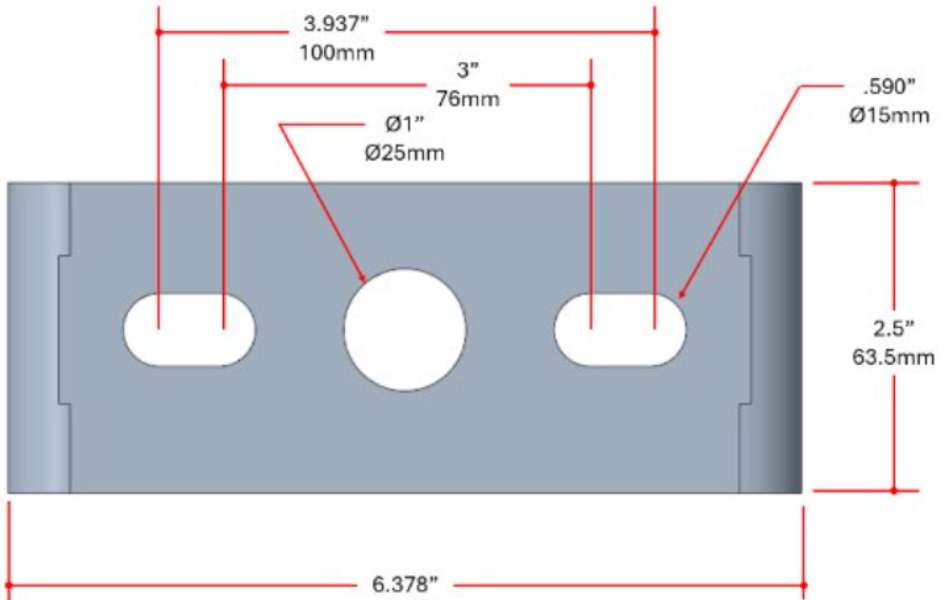
Insert the twist lock photocell into the receptacle and rotate until it stops..

The photocell goes in one way, the large tab into the large slot.

2 DIMENSION GUIDE

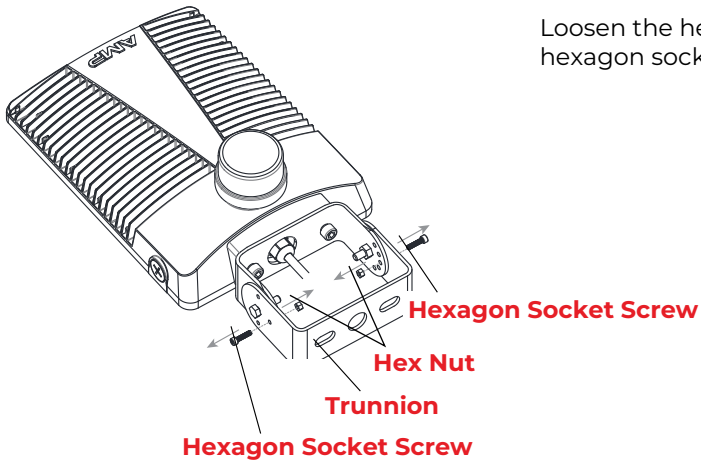
Use the dimensions below to mark the drill pattern on the mounting surface.

Drill and use hardware suitable for the mounting surface.



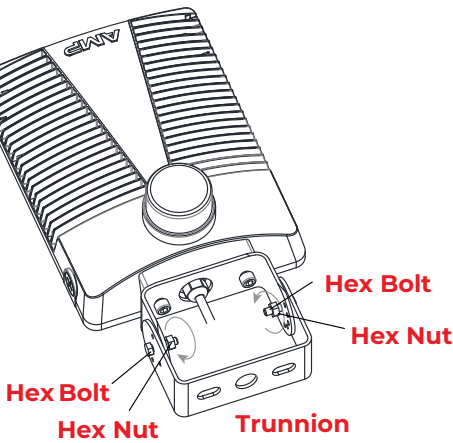
3 LOOSEN HEXAGON SOCKET SCREWS

Loosen the hex nuts and hexagon socket screws.



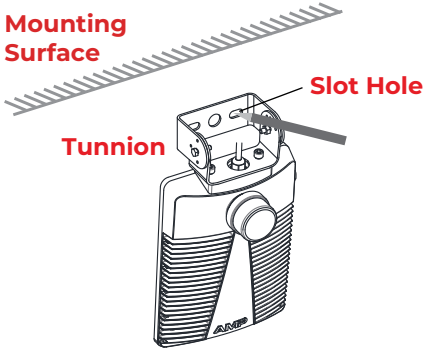
4 LOOSEN HEX BOLTS

Loosen the hex nuts on the hex bolts. Do NOT remove the hex nuts.



5 MARK INSTALLATION POINTS ON MOUNTING SURFACE

Mounting
Surface

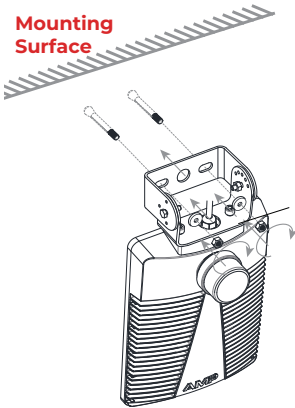


Using the dimension guide on page 3, step 5 mark the dimensions to mount the luminaire.

If you select to install the bracket only and the attached luminaire, take care to not drop the hex nuts.

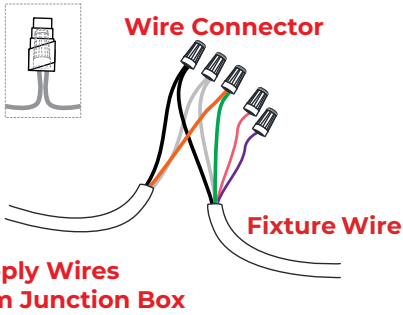
6 MARK INSTALLATION POINTS ON MOUNTING SURFACE

Mounting
Surface

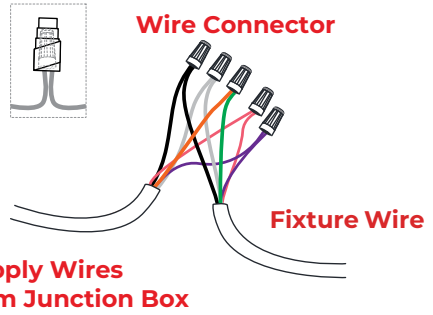


Install luminaire to the mounting surface with the appropriate hardware.

7 CONNECT FIXTURE WIRES TO SUPPLY WIRES



Option 1: Supply Wires without dimming wires



Option 2: Supply Wires with dimming wires

Wiring connections must be made inside a UL approved Junction Box.

Make the connections as follows:

Connect the green ground wire to the green luminaire wire

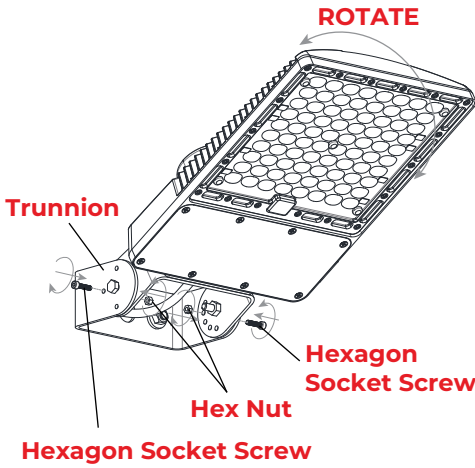
Connect the white wire to the white luminaire wire

Connect the black wire to the black luminaire wire

Connect the dimming wires if present – purple wire to purple wire and pink wire to pink wire. Compatible with 0-10V dimmers.

If dimming wires are not present, cap them with the smaller P2 wire connectors.

8 ADJUST LUMINAIRE ANGLE

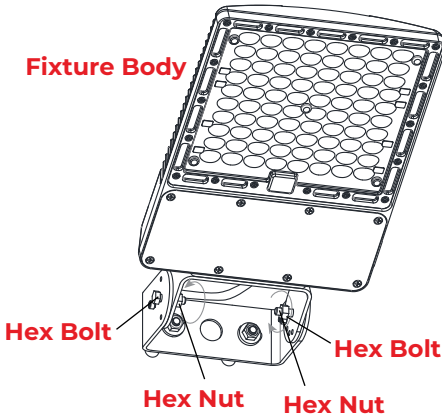


Note: Maximum tilt angle for the fixture is 45°.

Loosen the pivot bolts and the locking screws. Adjust luminaire to the desired angle. Tighten all bolts and screws securely.

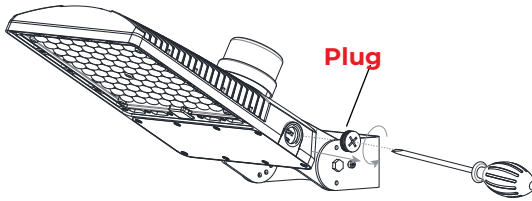
Luminaire is NOT intended to face upward at a horizontal angle. Luminaire must be angled at a minimum of 30 degrees from horizontal to assist with water run off.

9 TIGHTEN HEX BOLTS



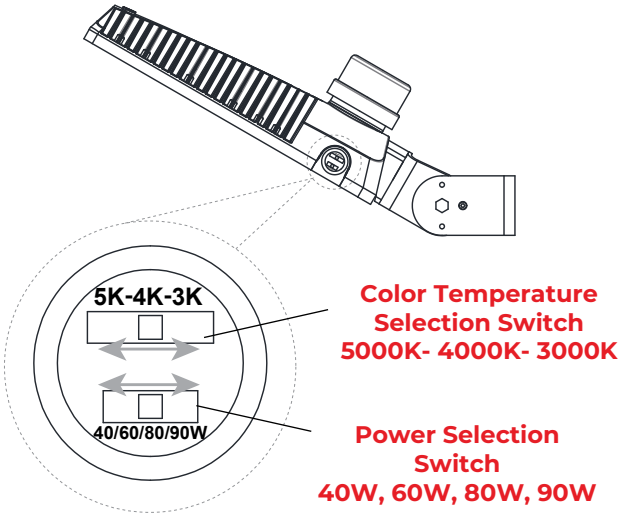
Tighten the hex nuts on hex bolts until snug.

10 ACCESS SELECTION SWITCHES

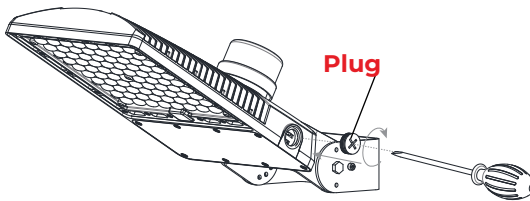


By using screwdriver, unscrew the waterproof screw from the side of the luminaire body.

11 ADJUST COLOR TEMPERATURE AND POWER RATES



12 INSTALL WATERPROOF SCREW



Reinstall the Plug with the o-ring

AMP® SECURE INSTALLATION & MAINTENANCE GUIDE

AMP® SECURE Area Light - ASA-4301-90S-UNV-S-TR

EPA Recommendations			
Luminaire	Mounting	Tilt	EPA
ASA-4301-90S-UNV-S-TR	Trunnion	0°	1.4

AMP® **SECURE**

1-813-978-3700 • Mon-Fri 9am-6pm (ET)

Specifications and product details subject to change without notice.
© Copyright 2024, AMP® Lighting, Lutz FL USA 33549 • All rights reserved.
customersupport@amplighting.com • amplighting.com