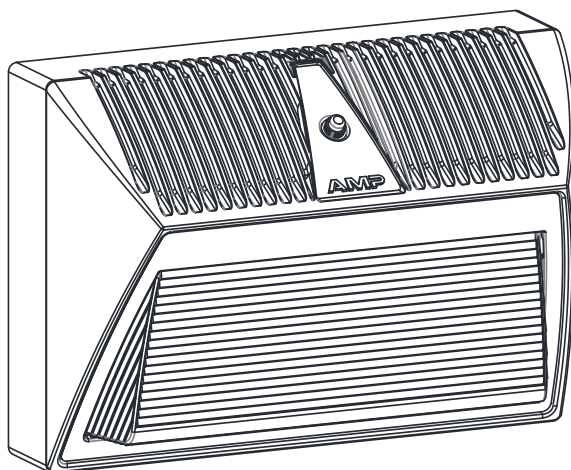


AMP[®] SECURE



INSTALLATION & MAINTENANCE GUIDE

AMP[®] SECURE Wall Pack

ITEM: AWP-4401-85S-UNV-S

SAVE THESE INSTRUCTIONS

IMPORTANT: PLEASE READ BEFORE INSTALLATION

READ CAREFULLY BEFORE INSTALLING FIXTURE. RETAIN THESE INSTRUCTIONS FOR FUTURE REFERENCE.

Fixtures must be wired in accordance with all local codes and the National Electrical Code.
Proper grounding is required for safety.

THIS PRODUCT MUST BE INSTALLED IN ACCORDANCE WITH THE APPLICABLE INSTALLATION CODE BY A PERSON FAMILIAR WITH THE CONSTRUCTION AND OPERATION OF THE PRODUCT AND THE HAZARDS INVOLVED.

WARNING: Make certain power is OFF before installing or maintaining fixture. No user-serviceable parts inside.

Suitable for Wet locations.
Installation or Assembly Instructions.

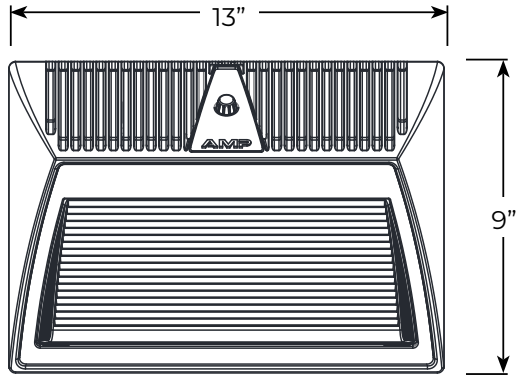
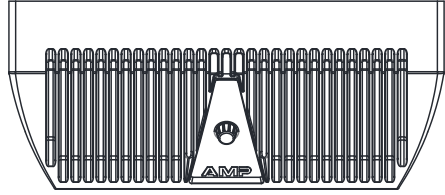
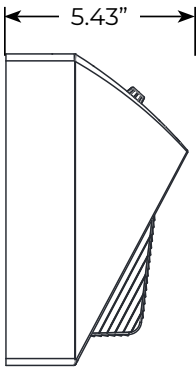
IMPORTANT SAFETY INSTRUCTIONS

1. This LED area light uses the latest in solid state lighting technology for long life, low maintenance, and high efficiency.
2. An internal power-factor-corrected switch-mode supply allows it to be used from any nominal 120V-277VAC driver without any variation in light output.
3. Suitable for use in the following locations:
 - Ambient Temp: -40~+40°C (-40~+104°F)
 - Wet Locations
4. Be sure the supply voltage is suitable for the Luminaire voltage.

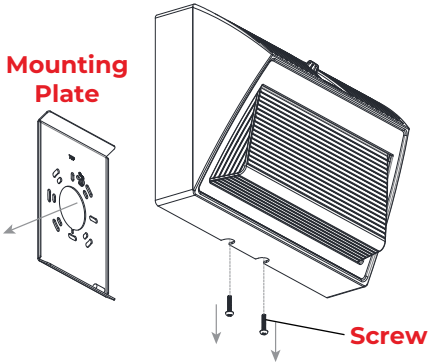
PACKAGE CONTENTS

- (1) Fixture Body
- (2) Outlet Box Screws
- (3) P4 Wire Connectors
- (2) P2 Wire Connectors
- (1) Clear Photocell Cap

PRODUCT DIMENSIONS

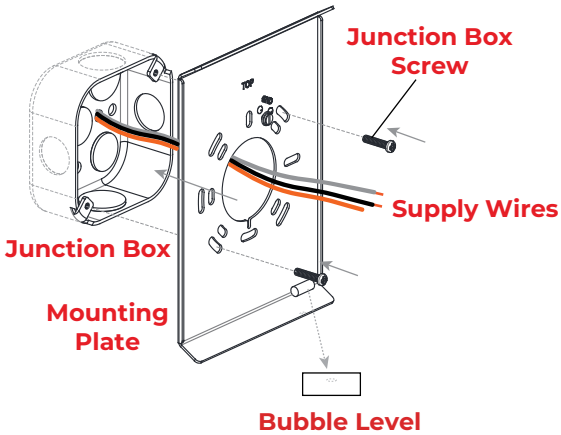


1 REMOVE MOUNTING PLATE



Remove the (2) screws holding the mounting plate.

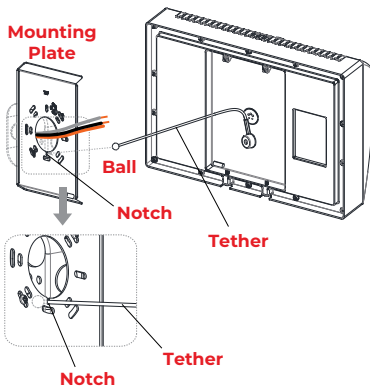
2 INSTALL MOUNTING PLATE



Secure the mounting plate to the Junction Box allowing the supply wires through the center hole.

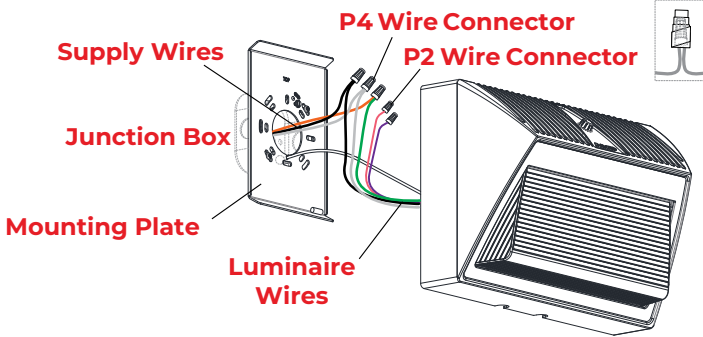
Level the mounting plate using the bubble level and tighten the screws.

3 TETHER

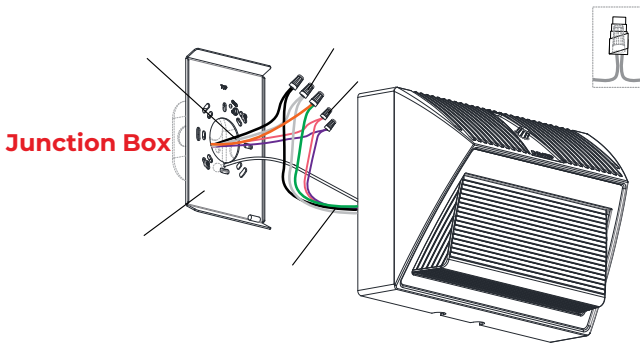


Secure the tether ball into the mounting plate notch to help with hands-free wiring.

4 CONNECT LUMINAIRE WIRES TO SUPPLY WIRES FROM JUNCTION BOX



Option 1: Supply Wires without dimming wires

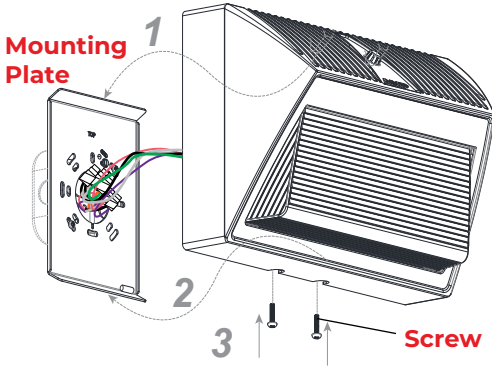


Option 2: Supply Wires with dimming wires

Connect the supply wires to the luminaire wires as shown in the above diagram using the larger P4 wire connectors. If dimming wires are not present, cap them with the smaller P2 wire connectors.

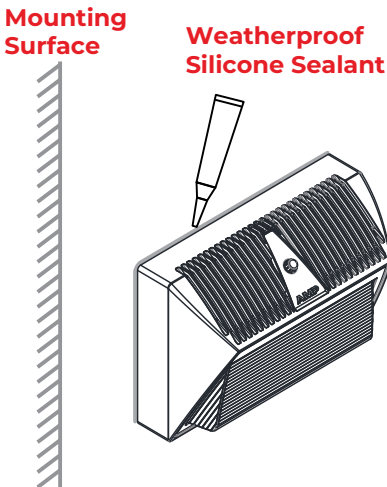
Connect the green ground wire to the green luminaire wire
Connect the white wire to the white luminaire wire
Connect the black wire to the black luminaire wire
Connect the dimming wires if present –purple wire to purple wire and pink wire to pink wire. Compatible with 0-10V dimmers.

5 INSTALL LUMINAIRE



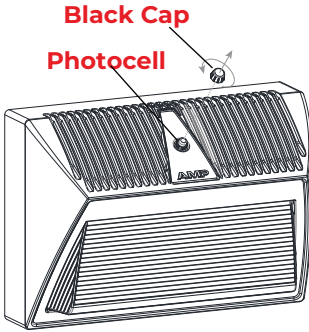
1. Push all the wire connectors and slack wires into the Junction Box.
2. Hang the Wallpack on the hook of the Wall Plate.
3. Secure the bottom with the (2) screws.

6 APPLY WEATHERPROOF SILICONE SEALANT



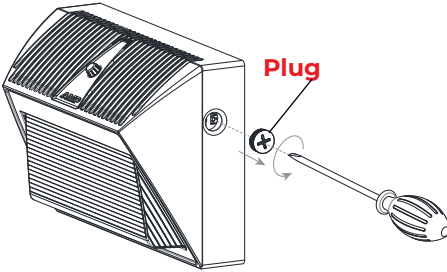
Apply weatherproof silicone sealant around the edge of the luminaire. This is especially important with an uneven wall surface. Do NOT apply the sealant to the bottom of the fixture body.

7 PHOTOCELL FUNCTION



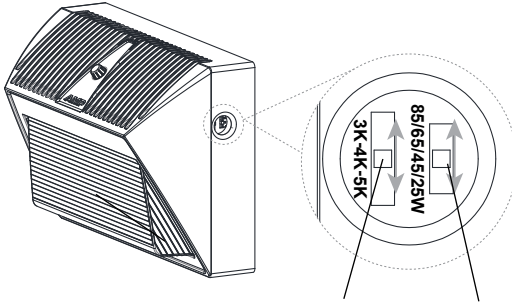
To use the built-in Photocell function: Remove the black plastic cap and replace it with the clear cap.

8 ACCESS TO SELECTION SWITCHES



Remove threaded plug from the side of the Wallpack.

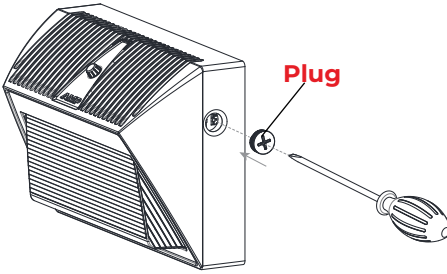
9 COLOR TEMPERATURE (CCT) & POWER SELECT SWITCHES



**Color Temperature
Selection Switch**
5000K- 4000K- 3000K

**Power Selection
Switch**
25W, 45W, 65W, 85W

10 INSTALL WATERPROOF SCREWS



Replace the plug with the O-Ring Gasket

AMP® SECURE

1-813-978-3700 • Mon-Fri 9am-6pm (ET)

Specifications and product details subject to change without notice.
© Copyright 2024, AMP® Lighting, Lutz FL USA 33549 • All rights reserved.
customersupport@amplighting.com • amplighting.com