

## INSTALLATION & MAINTENANCE GUIDE

**AMP**<sup>®</sup> Lighting

AMP<sup>®</sup> Low Voltage Landscape Lighting

AMP<sup>®</sup> Zero- Lead Wire System VariantPro Downlight

AAL-1028-0-B-BZ

Help Hotline:

1-813-978-3900 • Mon-Fri 9am-6pm (EST)

[www.amplighting.com](http://www.amplighting.com)



## Important Safety Instructions: Read Before Installation

This luminaire is intended for installation in accordance with local codes and the National Electric Code (NEC). Failure to adhere to these codes and instructions may result in serious injury, property damage and void the warranty.

These instructions do not intend to cover all variations in installation, operation maintenance or mounting situations.

1. Make sure the power is turned OFF before installing or servicing this luminaire.
2. WARNING: risk of electrical shock. Install all luminaires 10 feet (3.05M) or more from pool, spa or fountain.
3. This luminaire is intended to be used only with a power supply (transformer) rated maximum of 300 watts (25 AMPS) at 15 volts.
4. Wiring connections must be made with UL listed wire connectors that are suitable for outdoor use.
5. Position the low voltage wire and wire connector so that it is located within 6 inches (15.2 cm) from a building structure, a luminaire or fitting.
6. The main low voltage cable is intended for shallow burial - less than 6 inches (152 mm).

## Important Safety Instructions

### INSTRUCTIONS PERTAINING TO A RISK OF FIRE, OR INJURY TO PERSONS Lighted lamp is HOT!

WARNING - To reduce the risk of FIRE OR INJURY TO PERSONS.

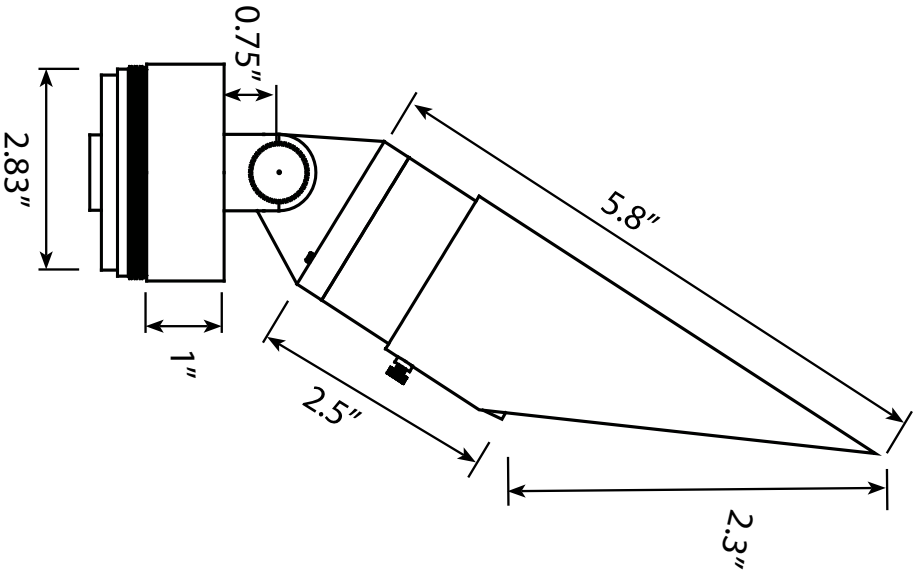
1. Turn off/unplug and allow to cool before replacing lamp.
2. Lamp gets HOT quickly! Contact only switch/plug when turning on.
3. Do not touch the hot lens, guard or enclosure.
4. Keep lamp away from materials that may burn.
5. Do not touch lamp at any time. Use a soft cloth. Oil from skin may damage lamp.
6. Do not operate the luminaire fitting with a missing or damaged shield.

SAVE THESE INSTRUCTIONS

## Package Contents

- A. (1) Fixture Body
- B. (1) Integrated Hub Top

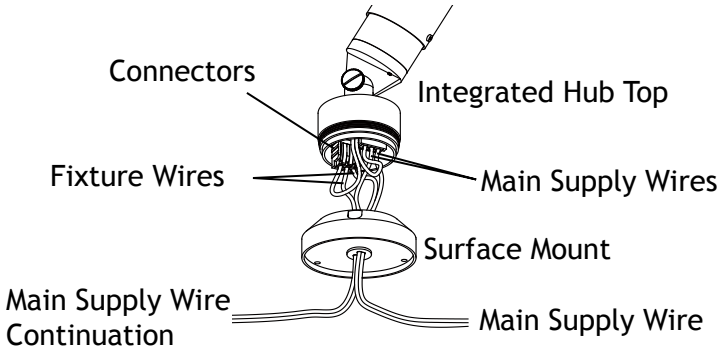
## Product Dimensions



There are two types of mounts that are sold separately for this fixture; the, Surface Mount and the Tripod Mount. Both must be used with this fixture in a downward orientation.

Option1: Surface Mount

**1** Wire Connection

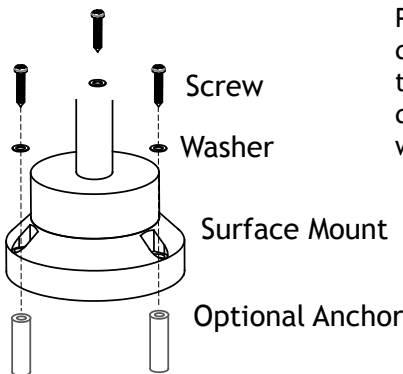


Insert the main supply wire continuation (if needed) and the main supply wire up through the bottom of the surface mount and strip the ends of both sets of supply wires.

Attach the fixture wires and both sets of the main supply wires to their correct connectors in the integrated hub top.

Once the wires are installed properly, thread the integrated hub top back onto the surface mount and hand tighten until snug.

**2** Install Surface Mount

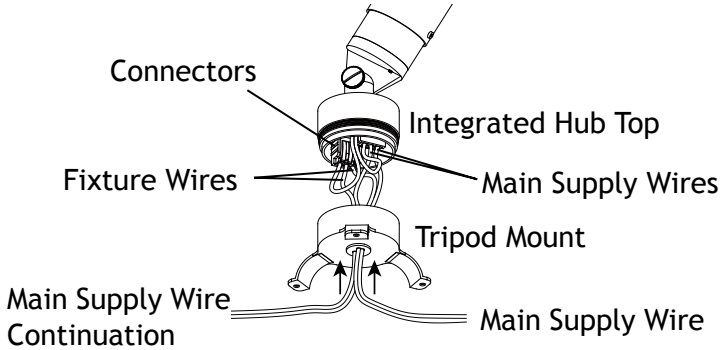


Place the surface mount onto the desired location and secure it with the screws. Tighten with a screwdriver. Nylon spacers are required when installing on trees.

# AMP® AMP® Zero- Lead Wire System VariantPro Downlight AAL-1028-0-B-BZ

## Option 2: Tripod Mount

### 1 Wire Connection

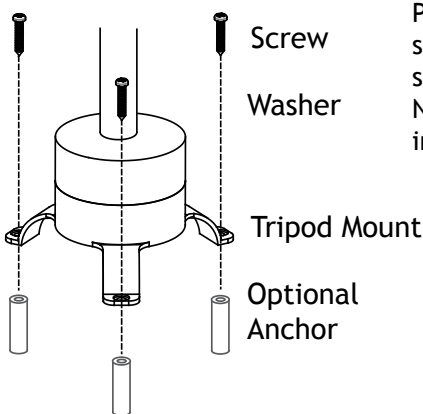


Insert the main supply wire continuation (if needed) and the main supply wire up through the bottom of the tripod mount and strip the ends of both sets of supply wires.

Attach the fixture wires and both sets of the main supply wires to their correct connectors in the integrated hub top.

Once the wires are installed properly, thread the integrated hub top back onto the tripod mount and hand tighten until snug.

### 2 Install Tripod Mount

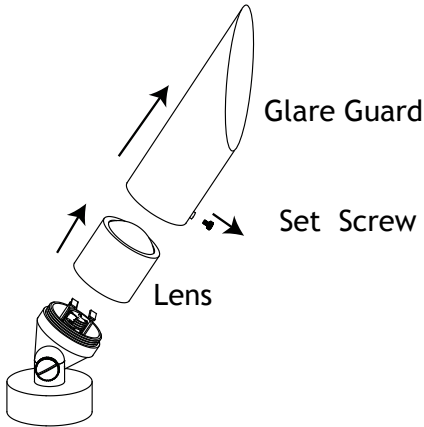


Place the tripod mount onto the desired location and secure it with the screws. Tighten with a screwdriver. Nylon spacers are required when installing on trees.



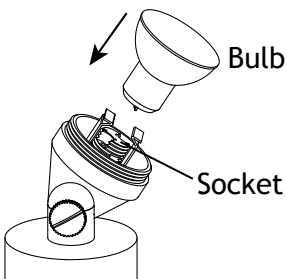
## Bulb Installation

### 1 Remove Glare Guard and Lens



Loosen the lens and the set screw and remove the glare guard.

### 2 Install Bulb

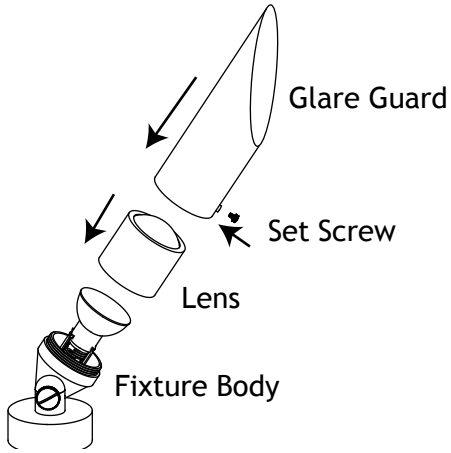


Insert the bulb with the correct wattage and type marked on the luminaire label.

**CAUTION:** Do not exceed maximum wattage marked on luminaire label.

**NOTE:** DO NOT touch bulb with bare hands. Use soft cloth to handle bulb.

### 3 Install Lens and Glare Guard



Thread the lens onto the fixture body and hand tighten. Then, place the glare guard onto the lens and secure with the previously removed set screw.

**AMP**<sup>®</sup> Lighting

**Help Hotline:**

**1-813-978-3900 • Mon-Fri 9am-6pm (EST)**

Specifications and product details subject to change without notice.  
© Copyright 2019, AMP<sup>®</sup> Lighting, Lutz FL USA 33549 • All rights reserved.  
customersupport@amplighting.com • 813.978.3900

**www.amplighting.com**

IS-AAL-1028-0-B-BZ-ver1.pdf