

INSTALLATION & MAINTENANCE GUIDE

AMP[®] Lighting

AMP[®] Low Voltage Landscape Lighting

AMP[®] BulletPro MR8 Spotlight

AAL-1033

Help Hotline:

1-813-978-3900 • Mon-Fri 9am-6pm (EST)

www.amplighting.com



Important Safety Instructions: Read Before Installation

This luminaire is intended for installation in accordance with local codes and the National Electric Code (NEC). Failure to adhere to these codes and instructions may result in serious injury, property damage and void the warranty.

These instructions do not intend to cover all variations in installation, operation maintenance or mounting situations.

1. Make sure that the power is turned OFF before installing or servicing this fixture.
2. Warning: this fixture is not intended to be installed within 10 feet [3 meters] of a pool, spa or fountain.
3. This fixture is intended to be used only with a power supply (transformer) rated maximum of 300 watts (25 AMPS) at 15 volts.
4. Underground Low Energy Cable must not be buried over 6" (15.2 cm) in order to connect to the main low voltage cable.
5. Wiring connections must be made with UL Listed wire connectors that are suitable for the application.
6. Position the wire connector so that it is located within 6 inches (15.2 cm) from a building structure, a luminaire, or fitting.



Important Safety Instructions

INSTRUCTIONS PERTAINING TO A RISK OF FIRE, OR INJURY TO PERSONS

Lighted lamp is HOT!

WARNING - To reduce the risk of FIRE OR INJURY TO PERSONS.

1. Turn off/unplug and allow to cool before reducing lamp.
2. Lamp gets HOT quickly!
3. Do not touch the hot lens, guard or cowl.
4. Keep lamp away from materials that may burn.
5. Do not touch lamp at any time.
6. Use a soft cloth.
7. Oil from skin may damage lamp.
8. Do not operate the fixture with a damaged or missing lens or shield.

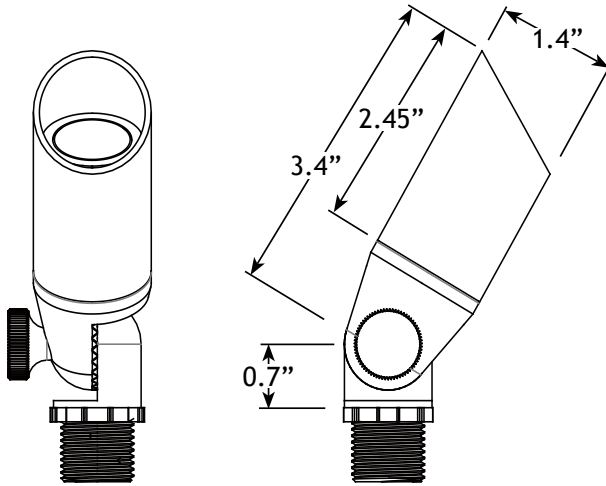
Package Contents

A. (1) Fixture Body

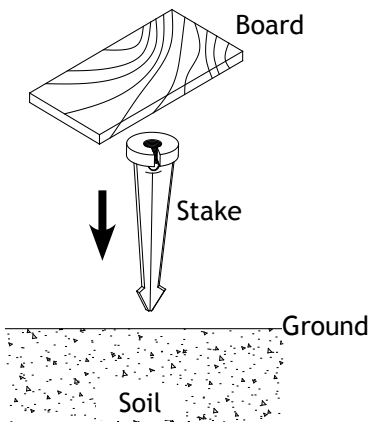
Parts Required (sold separately)

A. (1) MR8 Lamp

Product Dimensions



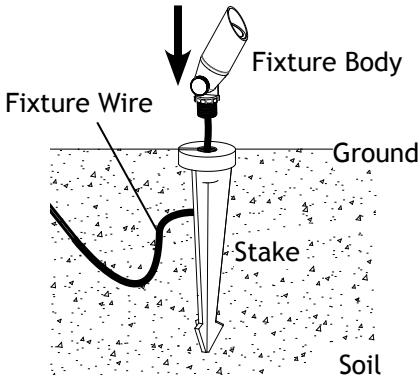
1 Install Stake



Determine the desired location for mounting the stake. Hammer the stake into the ground until flange of stake is flush to grade. To avoid damage to the stake, place a board on top of the stake while hammering.

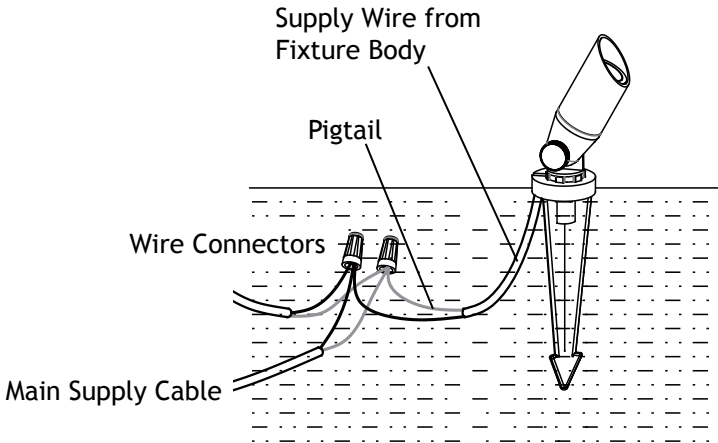
Note: If the ground is hard and the stake is difficult to install, make a crosscut in the ground using a flat shovel.

2 Install Fixture Body to Stake



Pass the fixture wire through the center hole of the stake. Thread the fixture body onto the stake and hand tighten until snug.

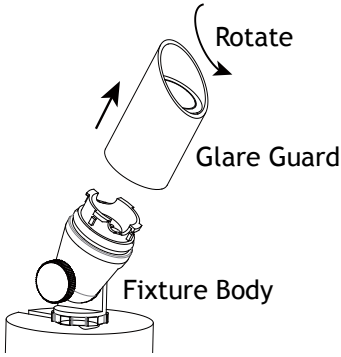
3 Install Glare Guard and Shield to Fixture



Strip both leads from the fixture body. Using two wire connectors (sold separately), connect the leads from fixture body to the main supply cable leads.

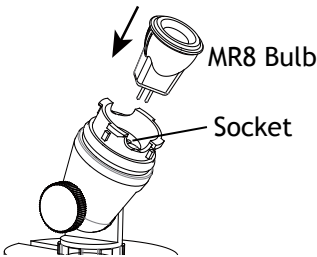
AMP[®] AMP[®] BulletPro MR8 Spotlight AAL-1033

4 Remove Glare Guard



Rotate the glare guard counter-clockwise to remove it from the fixture body.

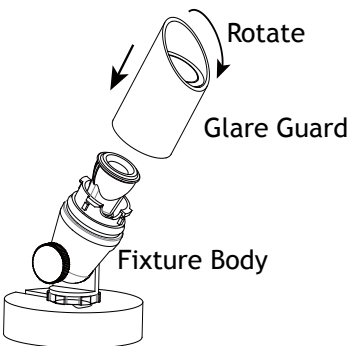
5 Install MR8 Bulb



Insert the MR8 bulb with the correct wattage and type marked on the fixture label and push into place.

CAUTION: Do not exceed maximum wattage marked on luminaire label.

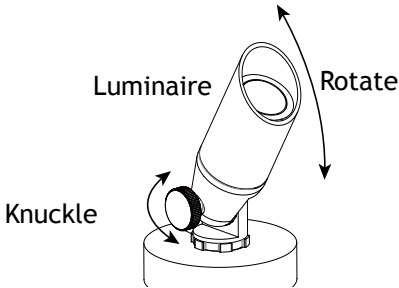
6 Install Glare Guard



Push the glare guard back onto the fixture body and rotate it until it is secured.



7 Adjust Direction



Loosen the knuckle at the joint to adjust the luminaire to your desired direction. Always tighten the knuckle once your desired direction is achieved.

Install/Replace MR8 Bulb

Please reverse Step 5 - Step 6 to expose the MR8 bulb and replace it with correct wattage and type marked on fixture label. Then reinstall the glare guard.

IMPORTANT: MR8 bulb must be protected from moisture and dust at all times. Always reinstall glare guard when removed.

AMP[®] Lighting

Help Hotline:

1-813-978-3900 • Mon-Fri 9am-6pm (EST)

Specifications and product details subject to change without notice.
© Copyright 2020, AMP[®] Lighting, Lutz FL USA 33549 • All rights reserved.
customersupport@amplighting.com • 813.978.3900

www.amplighting.com

IS-AAL-1033-ver1.pdf