

## INSTALLATION & MAINTENANCE GUIDE

**AMP**<sup>®</sup> Lighting

AMP<sup>®</sup> Low Voltage Landscape Lighting

AMP<sup>®</sup> Zero-Lead Wire SleekPro MR11 Downlight

AAL-1035-0-B-BZ

Help Hotline:

1-813-978-3900 • Mon-Fri 9am-6pm (EST)

[www.amplighting.com](http://www.amplighting.com)



**Important Safety Instructions: Read Before Installation**

This luminaire is intended for installation in accordance with local codes and the National Electric Code (NEC). Failure to adhere to these codes and instructions may result in serious injury, property damage and void the warranty.

These instructions do not intend to cover all variations in installation, operation maintenance or mounting situations.

1. Make sure the power is turned OFF before installing or servicing this luminaire.
2. WARNING: risk of electrical shock. Install all luminaires 10 feet (3.05M) or more from pool, spa or fountain.
3. This luminaire is intended to be used only with a power supply (transformer) rated maximum of 300 watts (25 AMPS) at 15 volts.
4. Wiring connections must be made with UL listed wire connectors that are suitable for outdoor use.
5. Position the low voltage wire and UL listed wire connector so that it is located within 6 inches (15.2 cm) from a building structure, a luminaire or fitting.
6. The main low voltage cable is intended for shallow burial - less than 6 inches (152 mm).



**Important Safety Instructions**

**INSTRUCTIONS PERTAINING TO A RISK OF FIRE, OR INJURY TO PERSONS**  
**Lighted lamp is HOT!**

WARNING - To reduce the risk of FIRE OR INJURY TO PERSONS.

1. Turn off/unplug and allow to cool before replacing lamp.
2. Lamp gets HOT quickly! Contact only switch/plug when turning on.
3. Do not touch the hot lens, guard or enclosure.
4. Keep lamp away from materials that may burn.
5. Do not touch lamp at any time. Use a soft cloth. Oil from skin may damage lamp.
6. Do not operate the luminaire fitting with a missing or damaged shield.

SAVE THESE INSTRUCTIONS

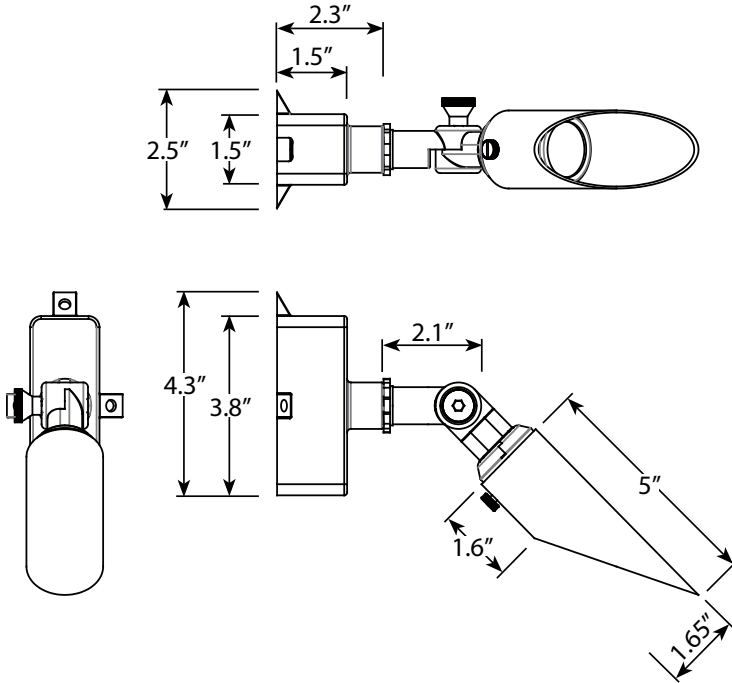
## Package Contents

- A. Fixture
- B. Mounting Hardware
- C. Tool
- D. Grommet

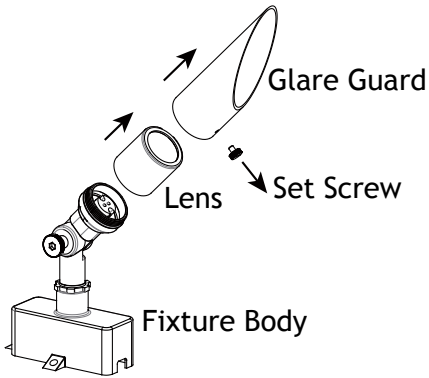
## Parts Required (sold separately)

- A. (1) MR11 Bulb

## Product Dimensions

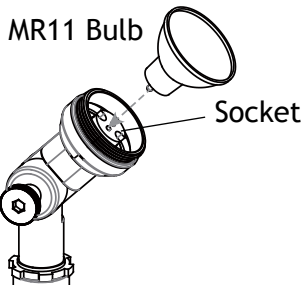


## 1 Remove Glare Guard and Lens



Loosen the set screw to remove the glare guard from lens. Then unthread the lens and remove it from the fixture body.

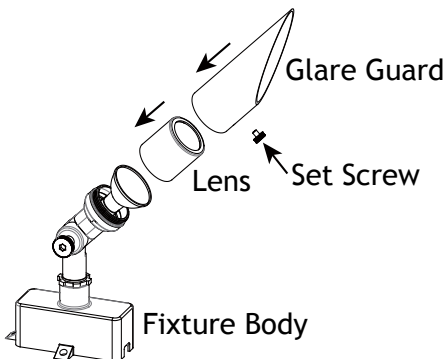
## 2 Install MR11 Bulb



Insert the MR11 bulb with the correct wattage and type marked on the fixture label and secure into place.

**CAUTION:** Do not exceed maximum wattage marked on luminaire label.

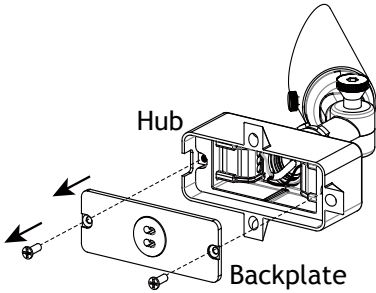
## 3 Install Lens and Glare Guard



Thread the lens back onto the fixture body and hand tighten until snug. Place the glare guard back onto the lens and secure by using the previously removed set screw.

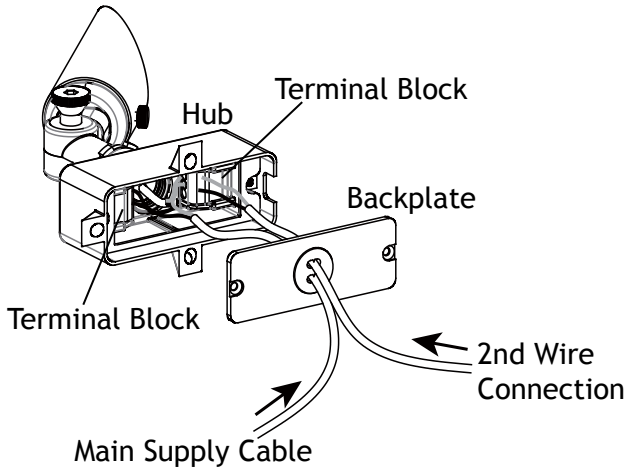


#### 4 Remove Backplate



Take off the backplate from the hub by removing the screws on the back.

#### 5 Wire Connection

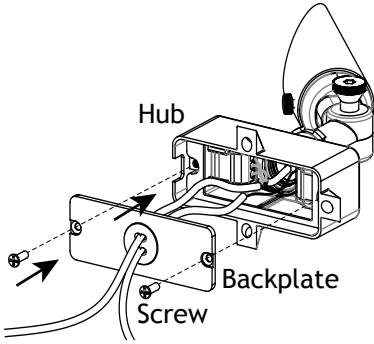


Pass the main supply cable and 2nd wire connection through the center hole on the backplate.

Strip the ends of both the main supply cable and 2nd wire connection leads. Insert one side of the wire into one terminal block, then insert the other side of the wire into the opposite terminal block.

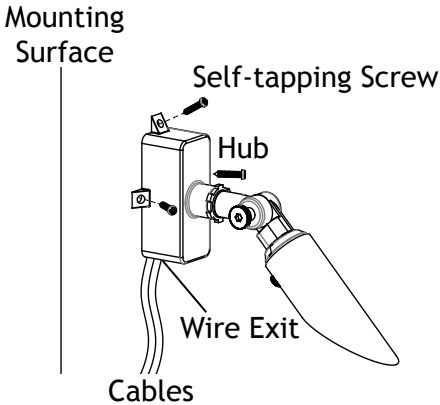
# AMP® AMP® Zero-Lead Wire SleekPro MR11 Downlight AAL-1035-0-B-BZ

## 6 Install Backplate



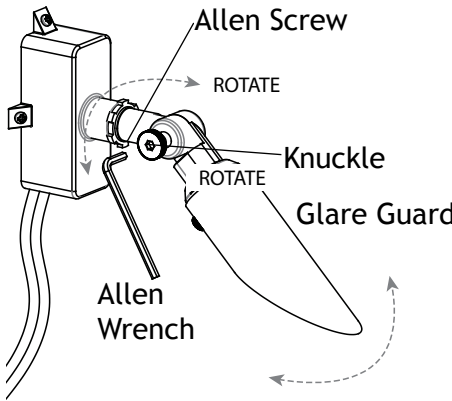
Carefully tuck all the extra wire inside of the hub and place the backplate onto the hub. Secure by using the previously removed screws. Tighten with a screw-driver.

## 7 Install Hub



Make sure the wire exit is facing down when placing the mount onto the surface. Secure using the self-tapping screws.

## 8 Adjust Lamp Direction



Using an Allen wrench, loosen the knuckle and adjust the fixture up and down to your desired direction.

Once your desired direction is achieved, tighten the knuckle with the Allen wrench into place.

Using a smaller Allen wrench, loosen the smaller Allen screw underneath the fixture to rotate the fixture side to side. Do not rotate 360°. Tighten the Allen screw when the desired direction is achieved.

## Install/Replace Bulb

Remove the glare guard and the lens to expose the MR11 bulb and replace it with the correct wattage and type marked on the fixture label. Then, reinstall the lens and the glare guard.

**IMPORTANT:** MR11 bulb must be protected from moisture and dust at all times. Always reinstall the lens and the glare guard when removed.

**AMP**<sup>®</sup> Lighting

**Help Hotline:**

**1-813-978-3900 • Mon-Fri 9am-6pm (EST)**

Specifications and product details subject to change without notice.  
© Copyright 2021, AMP<sup>®</sup> Lighting, Lutz FL USA 33549 • All rights reserved.  
customersupport@amplighting.com • 813.978.3900

**[www.amplighting.com](http://www.amplighting.com)**

IS-AAL-1035-0-X-XX-ver1.pdf