

INSTALLATION & MAINTENANCE GUIDE

AMP[®] Lighting

AMP[®] Low Voltage Landscape Lighting

AMP[®] RGBW Max PinnaclePro LED Spotlight (Dimmable)

AAL-1037-A-BK

Help Hotline:

1-813-978-3900 • Mon-Fri 9am-6pm (EST)

www.amplighting.com



Important Safety Instructions: Read Before Installation

This luminaire is intended for installation in accordance with local codes and the National Electric Code (NEC). Failure to adhere to these codes and instructions may result in serious injury, property damage and void the warranty.

These instructions do not intend to cover all variations in installation, operation maintenance or mounting situations.

1. Make sure that the power is turned OFF before installing or servicing this luminaire.
2. **WARNING:** risk of electrical shock. Install all luminaires 10 feet (3.05M) or more from pool, spa or fountain.
3. This luminaire is intended to be used only with a power supply (transformer) rated maximum of 300 watts (25 AMPS) at 15 volts.
4. Wiring connections must be made with UL Listed wire connectors that are suitable for outdoor use.
5. Position the low voltage wire and UL listed wire connector so that it is located within 6 inches (15.2 cm) from a building structure, a luminaire or fitting.
6. The main low voltage cable is intended for shallow burial - less than 6 inches (152 mm).



Important Safety Instructions

INSTRUCTIONS PERTAINING TO A RISK OF FIRE, OR INJURY TO PERSONS
Lighted lamp is HOT!

WARNING - TO REDUCE THE RISK OF FIRE OR INJURY TO PERSONS.

1. Lamp gets HOT quickly!
2. Do not touch the hot lens, guard or enclosure.
3. Keep lamp away from materials that may burn.
4. Do not touch lamp at any time. Use a soft cloth. Oil from skin may damage lamp.
5. Do not operate the luminaire fitting with a missing or damaged shield.

SAVE THESE INSTRUCTIONS

Package Contents

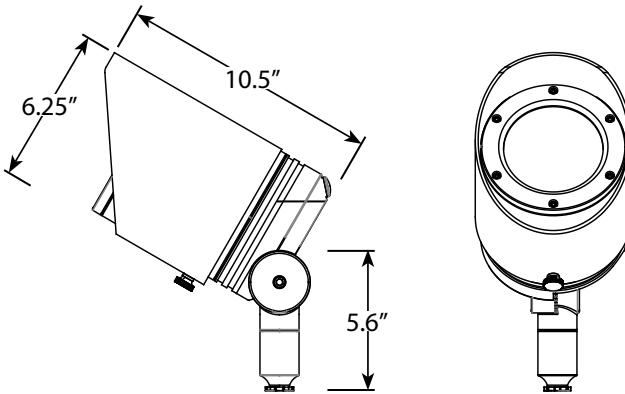
- A. (1) Fixture Body
- B. (1) Allen Wrench

- C. (1) IR Remote

Products Model

Model	Input Voltage	Watt	Input Current
15W Spotlight	12V	15W	1.2A

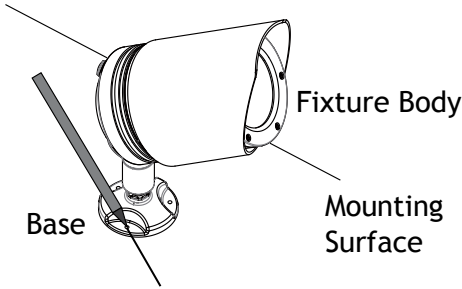
Product Dimensions





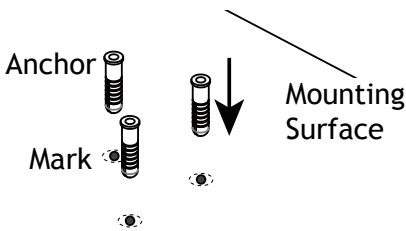
Surface Mount

1 Mark points for Anchors



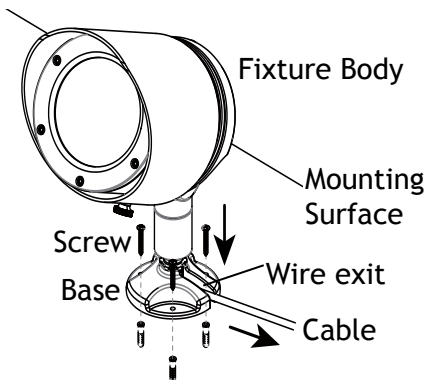
Mark three points on the mounting surface using the holes on the base as guides. These marks will be used for anchors.

2 Install Anchors



Drill the proper holes on the mounting surface for the anchors. Insert the anchors into the drilled holes.

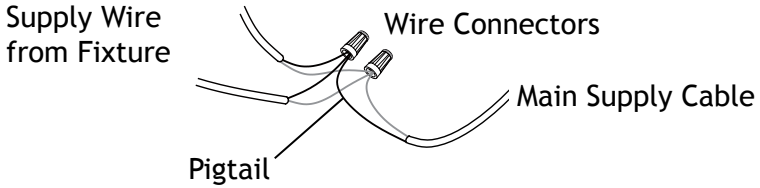
3 Install Fixture Body



Place the base onto the anchors and secure with screws.

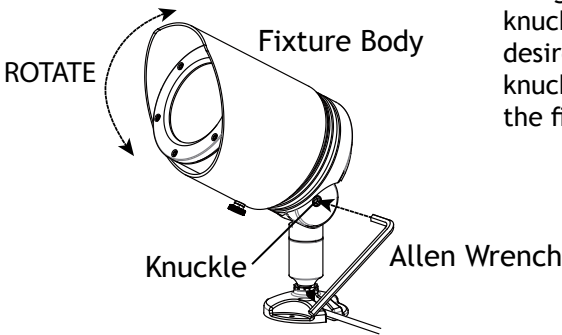


4 Wire Connection



Strip both leads from the luminaire pigtail. Using two UL listed wire connectors (sold separately), connect the leads from the luminaire to the main supply cable leads.

5 Adjust Fixture Body

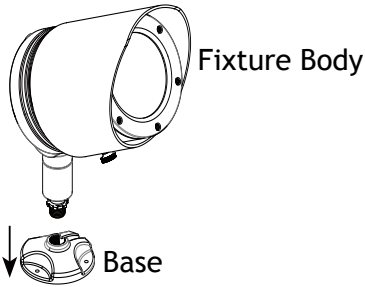


Using the Allen wrench, loosen the knuckle to adjust the fixture to the desired orientation. Tighten the knuckle with the Allen key to secure the fixtures adjustment.



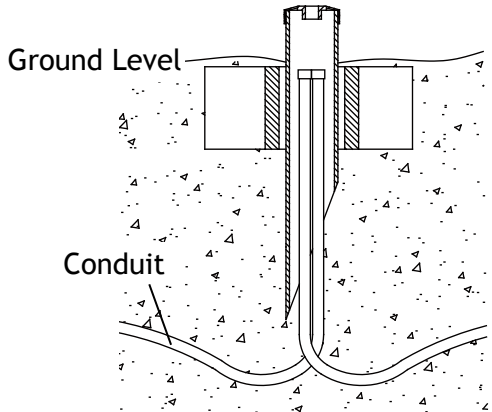
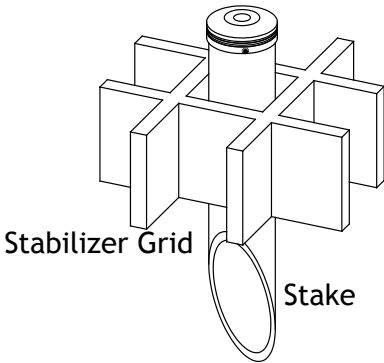
Stake Mount

1 Remove Base



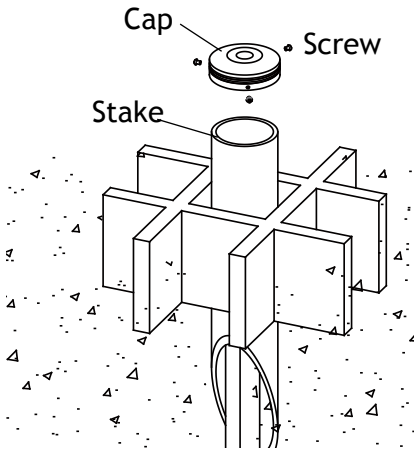
Unscrew the base and remove it from the fixture body.

2 Install Stake and Conduit



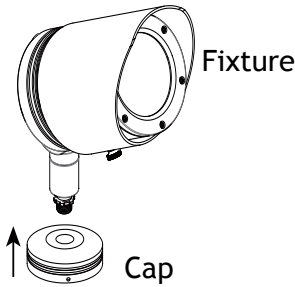
Dig a hole in the ground for the conduit runs and the stake. Install the conduit. Slide the stabilizer grid onto the stake and secure with the screws. Place the stake over the conduit runs. Backfill against the mounting stake.

3 Remove Cap from Stake



Remove the cap from the stake by loosening the set screws.

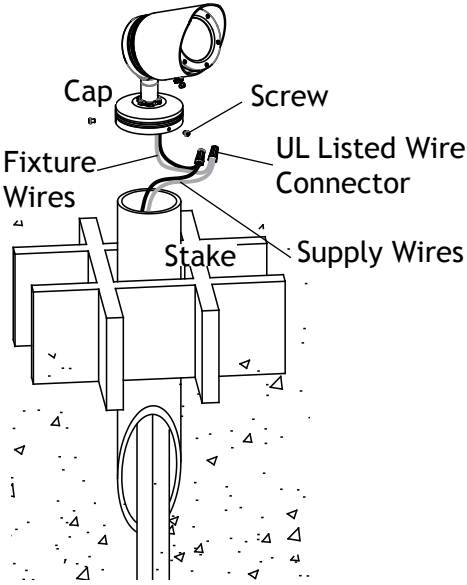
4 Install Cap to Fixture



Thread the cap onto the fixture body and hand tighten until snug.

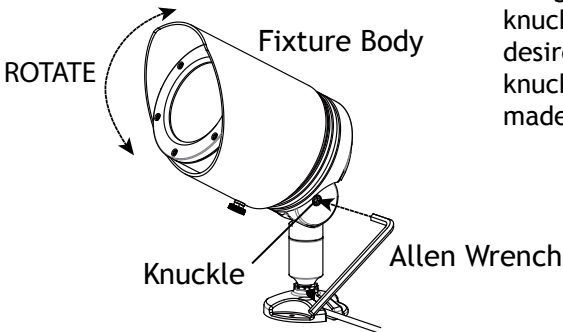


5 Wire Connection and Install Fixture to Stake



Allow enough wire from the fixture for adjustment purposes. Strip both leads from the fixture pigtail. Using two UL listed wire connectors (sold separately), connect the leads from the fixture to the main supply cable leads. Place the wire into the stake and attach the cap back onto the stake using the screws.

6 Adjust Fixture Body

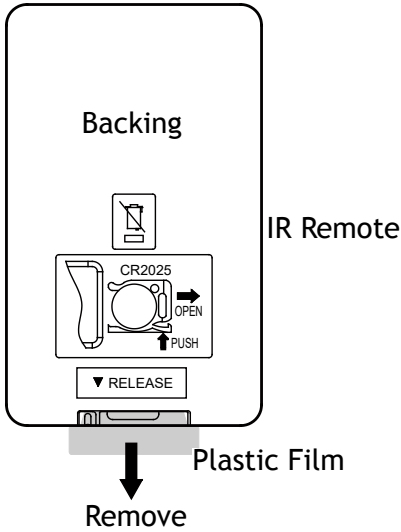


Using Allen wrench, loosen the knuckle to adjust the fixture to the desired orientation. Tighten the knuckle after the adjustments are made.

IR Remote

An IR Remote is suitable for this fixture. Please refer to the following instructions for usage and battery replacement.

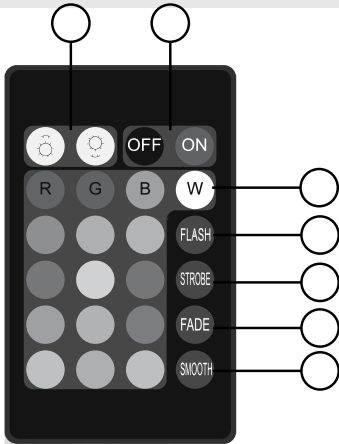
1 Remove Plastic Film



Remove the plastic film from the IR remote before use.



2 IR Remote Functions



NOTE: When using the remote make sure it is pointed at the sensor on the back of the fixture so it operates properly.

1. On/Off
2. Brightness Control
3. 16 color selections

4. Flash

- ▶ Mode 1: Repeats Red, Green, Blue + color cycle for 1 second duration of each of the seven colors within this mode.
- ▶ Mode 2: Hit flash a second time and this mode slowly blends the same seven colors from mode one, mixing them together.

5. Strobe

- ▶ Mode 1: Pick any color on the remote, then press strobe and that color will strobe every second alternating between on and off.
- ▶ Mode 2: Hit strobe a second time and this mode will strobe a blended white color at the same speed as before.

6. Fade

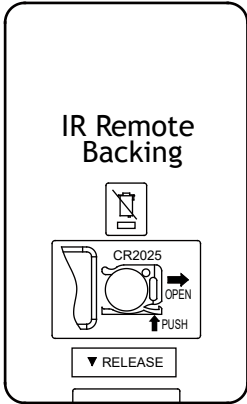
- ▶ Mode 1: Pick any color on the remote, then press fade and that color will slowly fade in and out every second.
- ▶ Mode 2: Hit fade a second time and it will fade a blended white color in and out at the same speed as before.

7. Smooth

- ▶ Mode 1: Repeats a flash cycle of Red, Green, and Blue only.
- ▶ Mode 2: Hit smooth a second time and this mode slowly blends Red, Green, and Blue only; in and out of each other at the same speed.

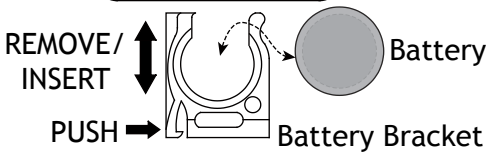


3 Replace Battery



Push the side of the battery bracket and carefully remove it from the IR remote. Replace the battery and then insert the battery bracket back into the IR remote.

Replacement Battery Style:
CR2025 Button Battery



AMP[®] Lighting

Help Hotline:

1-813-978-3900 • Mon-Fri 9am-6pm (EST)

Specifications and product details subject to change without notice.
© Copyright 2020, AMP[®] Lighting, Lutz FL USA 33549 • All rights reserved.
customersupport@amplighting.com • 813.978.3900

www.amplighting.com

IS-AAL-1037-A-BK-ver1.pdf