

INSTALLATION & MAINTENANCE GUIDE

AMP[®] Lighting

AMP[®] Low Voltage Landscape Lighting

AMP[®] EscherPro MR11 Lanai Light Brass Black

AAL-1046-B-BK

Help Hotline:

1-813-978-3900 • Mon-Fri 9am-6pm (EST)

www.amplighting.com



Important Safety Instructions: Read Before Installation

This luminaire is intended for installation in accordance with local codes and the National Electric Code (NEC). Failure to adhere to these codes and instructions may result in serious injury, property damage and void the warranty.

These instructions do not intend to cover all variations in installation, operation maintenance or mounting situations.

1. Make sure that the power is turned OFF before installing or servicing this fixture.
2. Warning: this fixture is not intended to be installed within 10 feet [3 meters] of a pool, spa or fountain.
3. This fixture is intended to be used only with a power supply (transformer) rated maximum of 300 watts (25 AMPS) at 15 volts.
4. Underground Low Energy Cable must not be buried over 6" (15.2 cm) in order to connect to the main low voltage cable.
5. Wiring connections must be made with UL Listed wire connectors that are suitable for the application.
6. Position the wire connector so that it is located within 6 inches (15.2 cm) from a building structure, a luminaire, or fitting.



Important Safety Instructions

INSTRUCTIONS PERTAINING TO A RISK OF FIRE, OR INJURY TO PERSONS
Lighted lamp is HOT!

WARNING - To reduce the risk of FIRE OR INJURY TO PERSONS.

1. Turn off/unplug and allow to cool before reducing lamp.
2. Lamp gets HOT quickly!
3. Do not touch the hot lens, guard or cowl.
4. Keep lamp away from materials that may burn.
5. Do not touch lamp at any time.
6. Use a soft cloth.
7. Oil from skin may damage lamp.
8. Do not operate the fixture with a damaged or missing lens or shield.

Package Contents

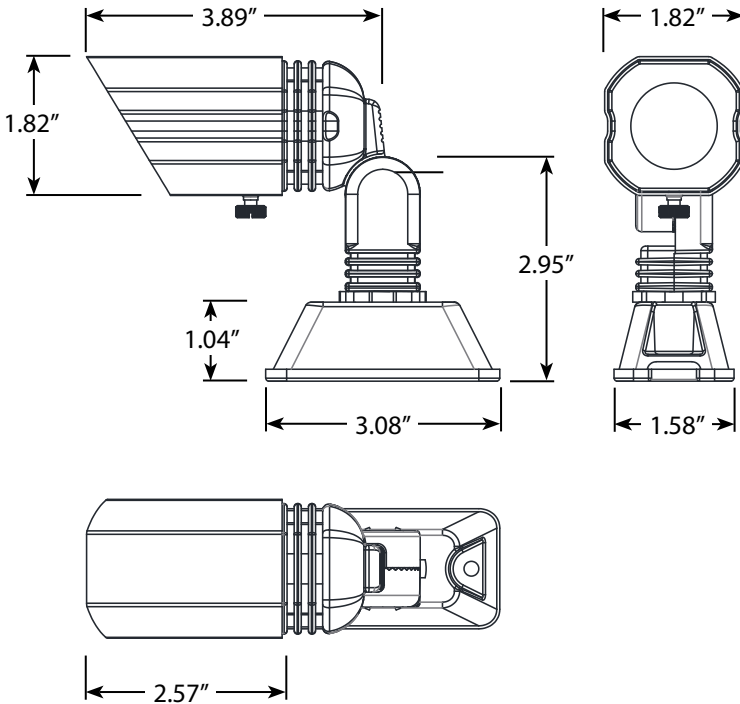
- A. (1) Fixture
- B. (2) Anchors

- C. (2) Screws
- D. (1) Allen Wrench

Parts Required (Sold separately)

- A. (1) MR11 Lamp

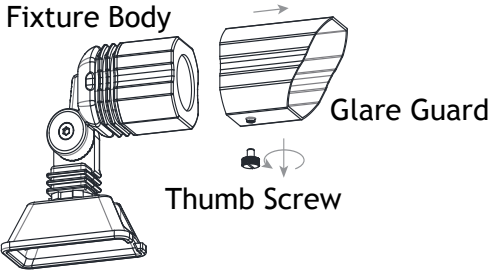
Product Dimensions





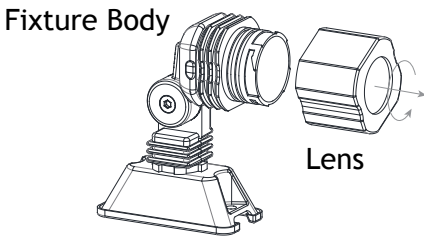
1 Remove Glare Guard

Loosen the thumb screw to remove glare guard from the fixture body.



2 Remove Lens

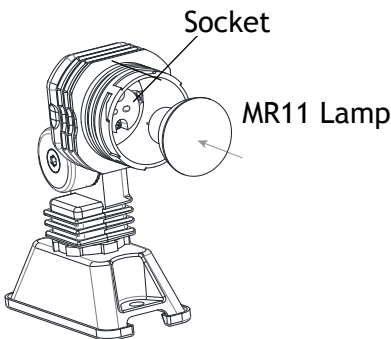
Rotate the lens counter-clockwise and remove it from the fixture body.



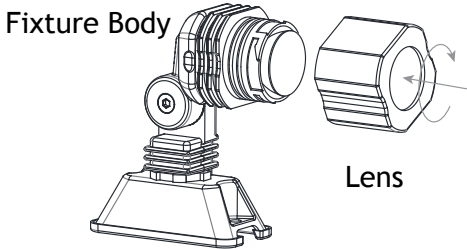
3 Install MR11 Lamp

Insert MR11 Lamp with correct wattage and type marked on fixture label.

CAUTION: Do not exceed maximum wattage marked on luminaire label.

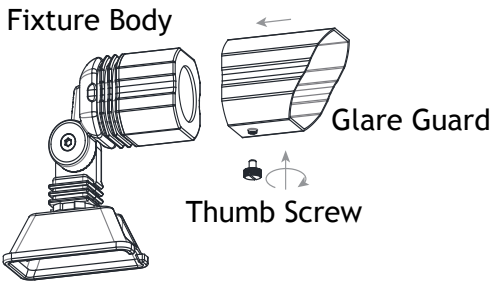


4 Install Lens



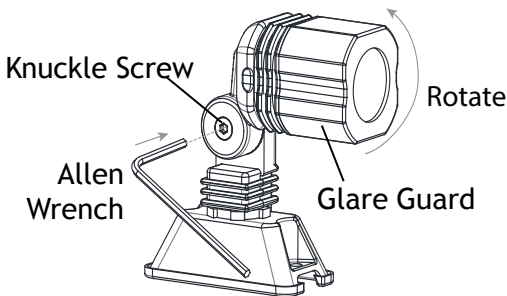
Place the lens back onto the fixture body and rotate it clockwise to lock it in place.

5 Install Glare Guard



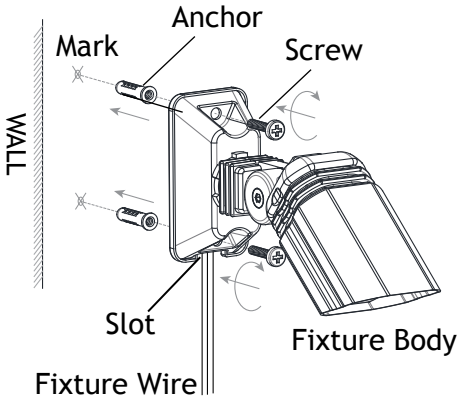
Place the glare guard back onto the fixture body and secure with previously removed screw.

6 Adjust the glare guard direction



Loosen the knuckle screw at the joint and rotate the glare guard until there is enough space for next step. Tighten the screw once the glare guard direction is achieved.

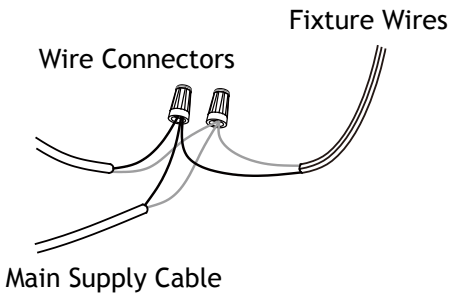
7 Install Fixture Body



Determine the desired location for the fixture. Mark points on the desired location from the holes on the backplate of the fixture body.

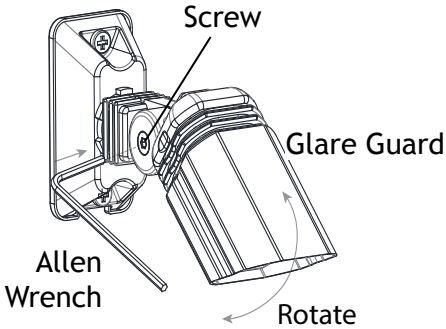
Remove the fixture body, drill holes from the marks and insert anchors completely. Pull the supply wire out of the backplate from the slot on the bottom. Place the backplate of fixture body over the anchors and secure with screws. Hand tighten with a screwdriver.

8 Wire Connection



Strip two leads from the fixture wires. Using two UL listed wire connectors (not provided), connect leads from fixture wires to main supply cable leads.

9 Adjust Glare Guard Direction



Loosen the knuckle screw at the joint and rotate the glare guard to the desired direction. Tighten the knuckle screw once the glare guard direction is achieved.

Install/Replace MR11 Lamp

Please reverse Step 3 - Step 5 to expose the MR11 lamp and replace it with correct wattage and type marked on fixture label. And then reinstall the lens and glare guard.

AMP[®] Lighting

Help Hotline:

1-813-978-3900 • Mon-Fri 9am-6pm (EST)

Specifications and product details subject to change without notice.
© Copyright 2022, AMP[®] Lighting, Lutz FL USA 33549 • All rights reserved.
customersupport@amplighting.com • 813.978.3900

www.amplighting.com

IS-AAL-1046-B-BK-ver1.pdf