

INSTALLATION & MAINTENANCE GUIDE

AMP[®] Lighting

AMP[®] Low Voltage Landscape Lighting

AMP[®] 120V LED Spotlight with Knuckle (Constant Output)

AAL-10XX-LI-B-BZ

Help Hotline:

1-813-978-3900 • Mon-Fri 9am-6pm (EST)

www.amplighting.com

INSTALLATION & MAINTENANCE GUIDE



AMP® 120V LED Spotlight with Knuckle (Constant Output)
AAL-10XX-LI-B-BZ

Important Safety Instructions: Read Before Installation

1. This LED Floodlight uses the latest in solid state lighting technology for long life, low maintenance, and high efficiency.
2. An internal power-factor-corrected switch mode supply allows this fixture to be used from any nominal 100V-277V, 50/60Hz AC supply without any variation in light output.
3. Suitable for use in:
 - ▶ Ambient Temperatures of-
6W & 12W: -20~+45°C (-4~+113° F)
18W: -20~+25°C (-4~+77°F)
 - ▶ Wet Locations
4. INSTALLATION OR ASSEMBLY INSTRUCTIONS

Note: Save these instructions for future reference.

Important Safety Instructions

To avoid the risk of fire, explosion, or electric shock, this product should be installed, inspected, and maintained by a qualified electrician only, in accordance with all applicable electrical codes.

To avoid electric shock:

1. Be certain electrical power is OFF before and during installation and maintenance.
2. Luminaire must be connected to a wiring system with an equipment-grounding conductor.

To avoid explosion:

1. Make sure the supply voltage is the same as the rated luminaire voltage.
 - 6W
 - 12W
 - 18W
2. Do not install where the marked operating temperatures exceed the ignition temperature of the hazardous atmosphere.
3. Do not operate in ambient temperatures above those indicated on the luminaire.

For supply connections use wire rated for at least 90°C (194°F)

Warning: these luminaire should ONLY be installed by a qualified electrician.

www.amplighting.com

INSTALLATION & MAINTENANCE GUIDE



AMP® 120V LED Spotlight with Knuckle (Constant Output)
AAL-10XX-LI-B-BZ

Package Contents

A. (1) Fixture

B. (1) Allen Wrench

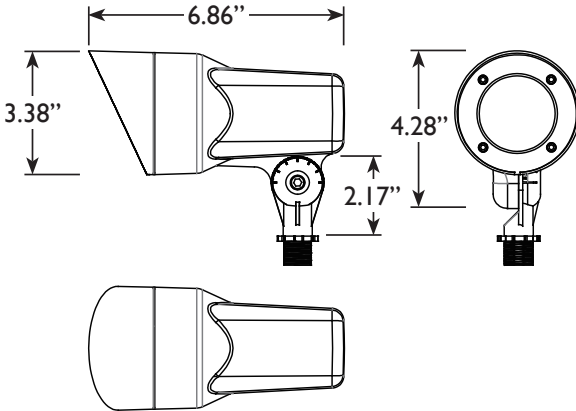
Products Model

| Model | Input Voltage | Power Factor | Watt | Input Current |
|------------------|---------------|--------------|------|---------------|
| 6W Spotlight | 100-277V | ≥0.95 | 6W | .1A |
| 12W Spotlight | 100-277V | ≥0.95 | 12W | .12A |
| 18W Spotlight | 100-277V | ≥0.95 | 18W | .18A |

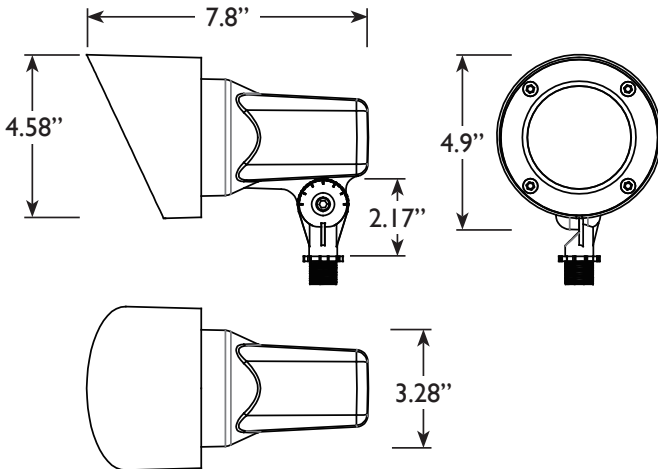


Product Dimensions

6W 120V Spot Light & 12W 120V Spot Light

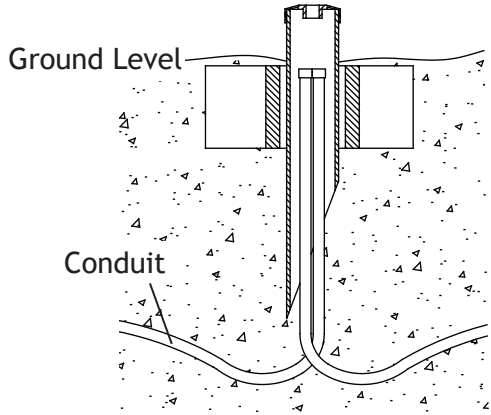
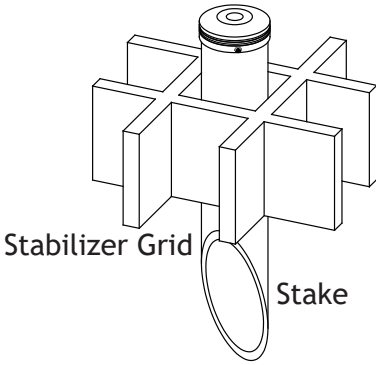


18W 120V Spot Light



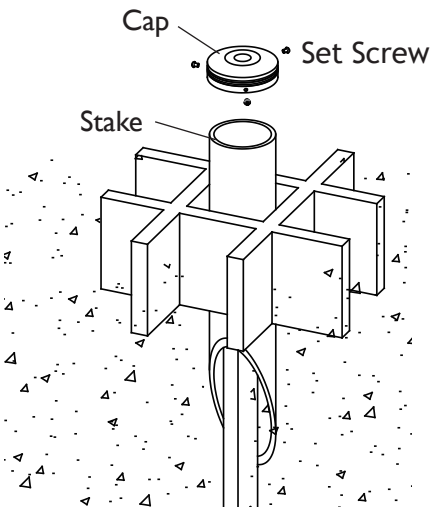


1 Install Stake and Conduit



Dig a hole in the ground for the conduit runs and the stake. Install the conduit. Slide the stabilizer grid onto the stake and secure with the screws. Place the stake over the conduit runs. Backfill against the mounting stake.

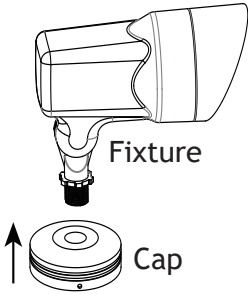
2 Remove Cap from Stake



Remove the cap from the stake by loosening the set screws.

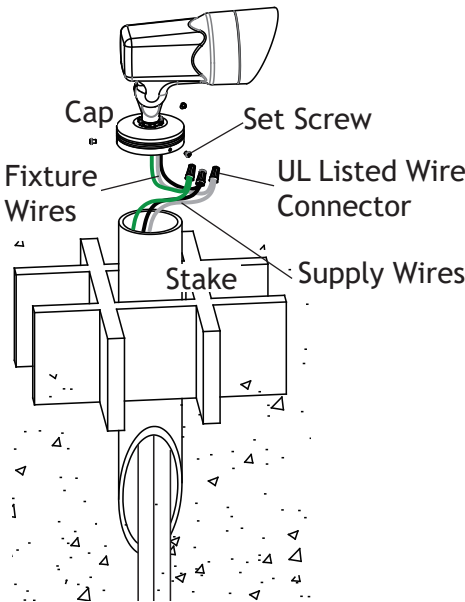


3 Install Cap to Fixture



Thread the cap onto the fixture body and hand tighten until snug.

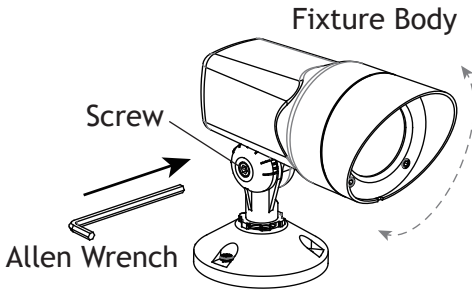
4 Wire Connection and Fixture Installation



Allow enough wire from the fixture for adjustment purposes. Connect the wires from the fixture to the 120v supply wires. The white wire goes to the “Neutral” wire; the black wire goes to the “Live” wire; and the green wire goes to the “Ground” wire. Use a UL certified wire connector for each connection.



5 Adjust Lamp Direction



Loosen the set screw at the joint by using the Allen wrench and adjust the fixture body to the desired direction. When the desired direction is achieved, tighten the set screw until snug.

After installation, please

- A. Double check whether the lighting fixture is firmly fixed.
- B. Double check the wires are connected correctly.

At last, turn on the power and check if the lighting fixture is working properly.

AMP[®] Lighting

Help Hotline:

1-813-978-3900 • Mon-Fri 9am-6pm (EST)

Specifications and product details subject to change without notice.
© Copyright 2021, AMP[®] Lighting, Lutz FL USA 33549 • All rights reserved.
customersupport@amplighting.com • 813.978.3900