

INSTALLATION & MAINTENANCE GUIDE

AMP[®] Lighting

AMP[®] Low Voltage Landscape Lighting

AMP[®] TieredPro Path Light

AAR-3511-B-BZ

Help Hotline:

1-813-978-3900 • Mon-Fri 9am-6pm (EST)

www.amplighting.com

! Important Safety Instructions: Read Before Installation

This luminaire is intended for installation in accordance with local codes and the National Electric Code (NEC). Failure to adhere to these codes and instructions may result in serious injury, property damage and void the warranty.

These instructions do not intend to cover all variations in installation, operation maintenance or mounting situations.

1. Make sure the power is turned OFF before installing or servicing this luminaire.
2. **WARNING:** risk of electrical shock. Install all luminaires 10 feet (3.05M) or more from pool, spa or fountain.
3. This luminaire is intended to be used only with a power supply (transformer) rated maximum of 300 watts (25 AMPS) at 15 volts.
4. Wiring connections must be made with UL listed wire connectors that are suitable for outdoor use.
5. Position the low voltage wire and wire connector so that it is located within 6 inches (15.2 cm) from a building structure, a luminaire or fitting.
6. The main low voltage cable is intended for shallow burial - less than 6 inches (152 mm).

! Important Safety Instructions

INSTRUCTIONS PERTAINING TO A RISK OF FIRE, OR INJURY TO PERSONS
Lighted lamp is HOT!

WARNING - To reduce the risk of FIRE OR INJURY TO PERSONS.

1. Turn off/unplug and allow to cool before replacing lamp.
2. Lamp gets HOT quickly! Contact only switch/plug when turning on.
3. Do not touch the hot lens, guard or enclosure.
4. Keep lamp away from materials that may burn.
5. Do not touch lamp at any time. Use a soft cloth. Oil from skin may damage lamp.
6. Do not operate the luminaire fitting with a missing or damaged shield.

SAVE THESE INSTRUCTIONS

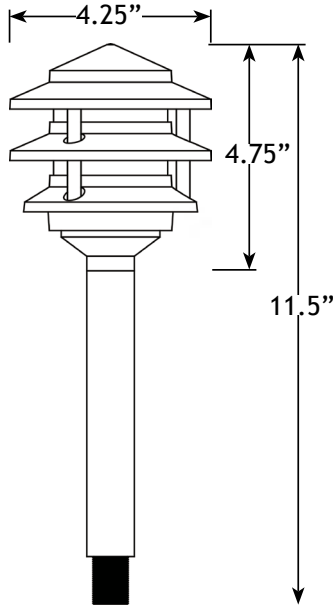
Package Contents

- A. (1) TieredPro Hat
B. (1) 6" Stem
C. (1) Stake

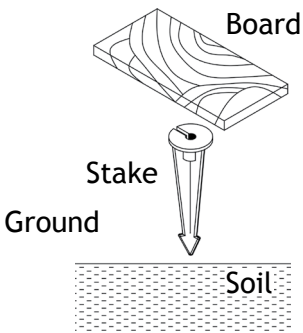
Parts Required

- A. (1) Bulb

Product Dimensions



1 Install Stake

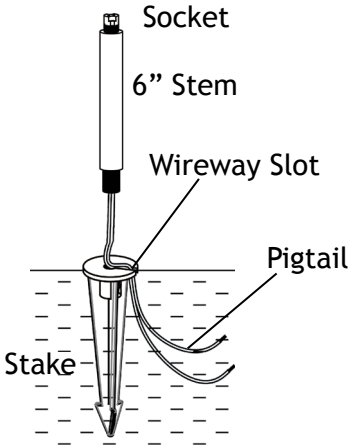


Determine the desired location for mounting the luminaire. Hammer the stake into the ground until flange of stake is flush to grade. To avoid damage to the stake, place a board on top of the stake while hammering.

NOTE: If the ground is hard and the stake is difficult to install, make a crosscut in the ground using a flat shovel.

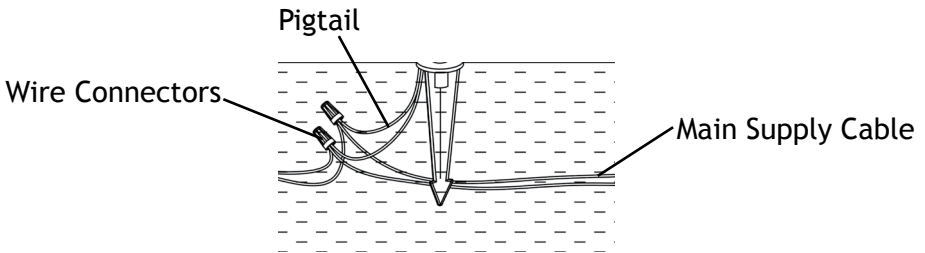
AMP® AMP® TieredPro Path Light AAR-3511-B-BZ

2 Install Stem to Stake



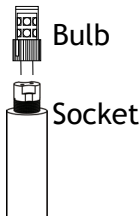
Clear away an area in the ground at the wireway slot on top of the stake. Lay the luminaire pigtail into the wireway slot and screw the stem onto the stake. If the fixture does not look straight, adjust by pushing or pulling on the stake only.

3 Wire Connection



Strip both leads from the luminaire pigtail. Using two wire connectors (sold separately), connect the leads from the luminaire to the main low voltage supply cable leads.

4 Install Bulb

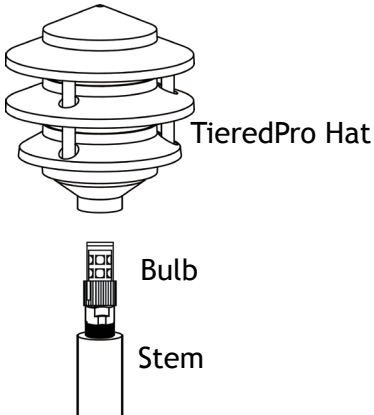


Insert the bulb with the correct wattage and type marked on the luminaire label.

CAUTION: Do not exceed maximum wattage marked on luminaire label.

NOTE: DO NOT touch bulb with bare hands. Use soft cloth to handle bulb.

5 Install TieredPro



Place the TieredPro hat over the bulb and thread onto the top end of the stem. Hand tighten until snug.

Install/Replace Bulb

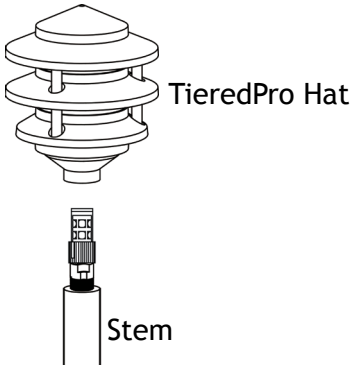
Please reverse Step 5 - Step 4 to expose the bulb and replace it with the correct wattage and type marked on the luminaire label. Reinstall inner lens and shade.

IMPORTANT: Bi-Pins must be protected from moisture and dust at all times. Always reinstall shade and lens when moved.

AMP[®] AMP[®] TieredPro Path Light AAR-3511-B-BZ

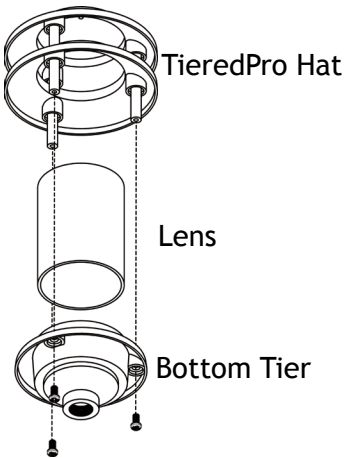
Replace Lens

1 Remove TieredPro Hat



Loosen the TieredPro hat and remove it from the top end of the stem by pulling it up and over the bulb.

2 Replace Lens



Loosen the screws from the bottom of the TieredPro Hat. Remove the bottom tier to expose the lens and replace it with the new replacement shade. Reinstall the bottom tier to hold the shade and secure it with the screws removed previously. Tighten until snug.

Reinstall the TieredPro hat onto the stem.

AMP[®] Lighting

Help Hotline:

1-813-978-3900 • Mon-Fri 9am-6pm (EST)

Specifications and product details subject to change without notice.
© Copyright 2019, AMP[®] Lighting, Lutz FL USA 33549 • All rights reserved.
customersupport@amplighting.com • 813.978.3900

www.amplighting.com

IS-AAR-3511-B-BZ.ver2