

INSTALLATION & MAINTENANCE GUIDE

AMP[®] Lighting

AMP[®] Low Voltage Landscape Lighting

AMP[®] StoutPro PAR36 Flood Light (Lamp Ready)

AFL-4015-4-B-BZ

Help Hotline:

1-813-978-3900 • Mon-Fri 9am-6pm (EST)

www.amplighting.com



! Important Safety Instructions: Read Before Installation

This luminaire is intended for installation in accordance with local codes and the National Electric Code (NEC). Failure to adhere to these codes and instructions may result in serious injury, property damage and void the warranty.

These instructions do not intend to cover all variations in installation, operation maintenance or mounting situations.

1. Make sure the power is turned OFF before installing or servicing this luminaire.
2. WARNING: risk of electrical shock. Install all luminaires 10 feet (3.05M) or more from pool, spa or fountain.
3. This luminaire is intended to be used only with a power supply (transformer) rated maximum of 300 watts (25 AMPS) at 15 volts.
4. Wiring connections must be made with UL listed wire connectors that are suitable for outdoor use.
5. Position the low voltage wire and wire connector so that it is located within 6 inches (15.2 cm) from a building structure, a luminaire or fitting.
6. The main low voltage cable is intended for shallow burial - less than 6 inches (152 mm).

! Important Safety Instructions

INSTRUCTIONS PERTAINING TO A RISK OF FIRE, OR INJURY TO PERSONS
Lighted lamp is HOT!

WARNING - To reduce the risk of FIRE OR INJURY TO PERSONS.

1. Turn off/unplug and allow to cool before replacing lamp.
2. Lamp gets HOT quickly! Contact only switch/plug when turning on.
3. Do not touch the hot lens, guard or enclosure.
4. Keep lamp away from materials that may burn.
5. Do not touch lamp at any time. Use a soft cloth. Oil from skin may damage lamp.
6. Do not operate the luminaire fitting with a missing or damaged shield.

SAVE THESE INSTRUCTIONS

Package Contents

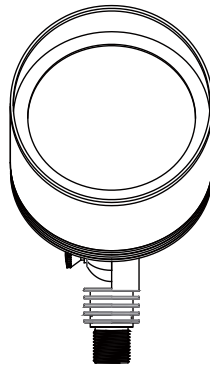
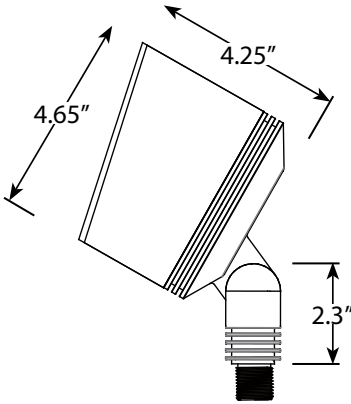
A. (1) Fixture

Parts Required (sold separately)

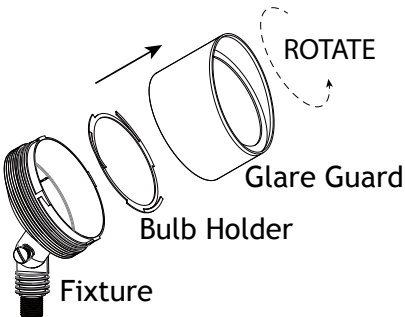
A. (1) PAR36 Bulb

B. (1) Mounting Accessory

Product Dimensions



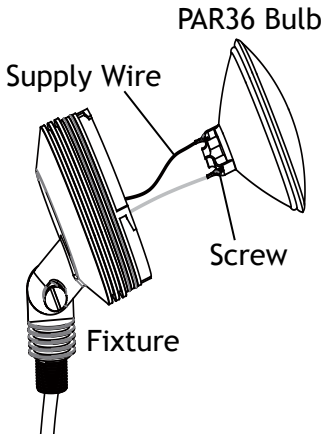
1 Remove Glare Guard



Rotate the glare guard counter clockwise and remove it from the fixture. Then remove the bulb holder.

AMP[®] AMP[®] StoutPro PAR36 Flood Light (Lamp Ready) AFL-4015-4-B-BZ

2 Install PAR36 Bulb

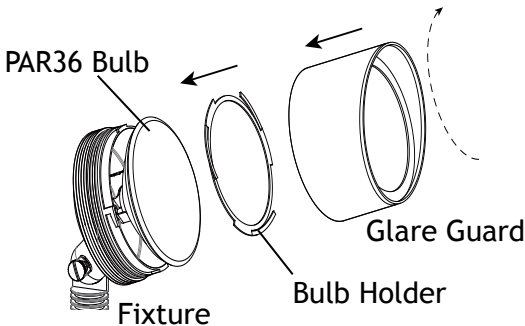


Use a PAR36 bulb (sold separately), with the correct wattage and type as marked on luminaire label. Connect the supply wires using the screws on the bottom of the PAR36 bulb, tighten with a screwdriver.

CAUTION: Do not exceed maximum wattage marked on luminaire label.

NOTE: DO NOT touch lamp with bare hands. Use soft cloth to handle lamp.

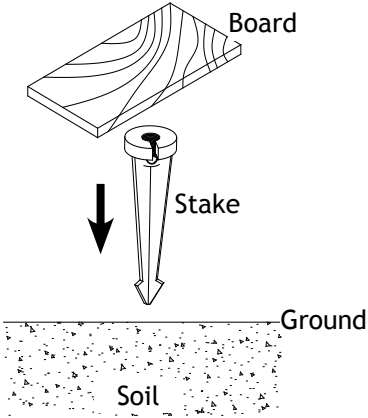
3 Install Bulb Holder and Glare Guard



Tuck the excess wires inside of the fixture and place the PAR36 bulb inside. Place the bulb holder onto the top of the PAR36 bulb and thread the glare guard onto the fixture.

AMP® AMP® StoutPro PAR36 Flood Light (Lamp Ready) AFL-4015-4-B-BZ

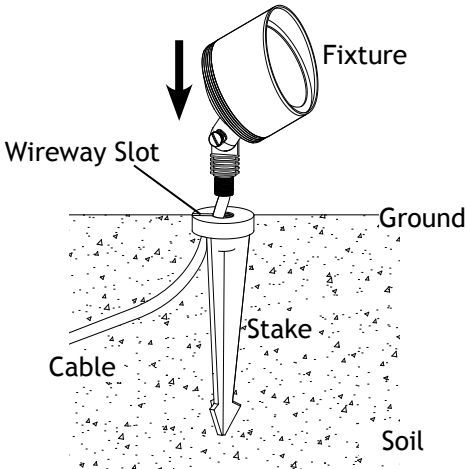
4 Install Stake



Determine the desired location for mounting the stake. Hammer the stake into the ground until flange of stake is flush to grade. To avoid damage to the stake, place a board on top of the stake while hammering.

Note: If the ground is hard and the stake is difficult to install, make a crosscut in the ground using a flat shovel.

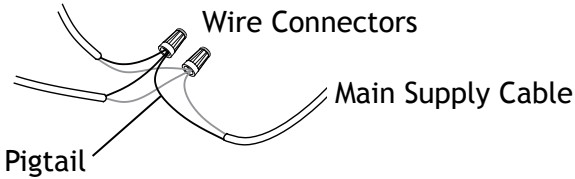
5 Install Fixture to Stake



Clear away an area in the ground at the wireway slot on the top of the stake. Place the fixture wire into the wireway slot and thread the fixture onto the stake. Hand tighten until snug.

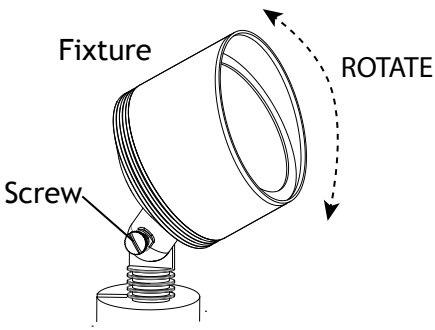
AMP® AMP® StoutPro PAR36 Flood Light (Lamp Ready) AFL-4015-4-B-BZ

6 Wire Connections



Strip both leads from the fixture pigtail. Using two UL listed wire connectors (sold separately), connect the leads from the fixture to the main supply cable leads.

7 Adjust Fixture



Loosen the knuckle and adjust the fixture to the desired orientation. Tighten the knuckle after you find the desired orientation.

Install/Replace Bulb

Reverse Step 1 - Step 3 to expose the PAR36 bulb and replace it with correct wattage and type marked on luminaire label. Reinstall glare guard.

IMPORTANT: Halogen lamps must be protected from moisture and dust at all times. Always reinstall glare guard when removed.

AMP[®] Lighting

Help Hotline:

1-813-978-3900 • Mon-Fri 9am-6pm (EST)

Specifications and product details subject to change without notice.
© Copyright 2020, AMP[®] Lighting, Lutz FL USA 33549 • All rights reserved.
customersupport@amplighting.com • 813.978.3900

www.amplighting.com

IS-AFL-4015-4-B-BZ-ver1.pdf