

INSTALLATION & MAINTENANCE GUIDE

AMP[®] Lighting

AMP[®] Line Voltage Landscape Lighting

AMP[®] 120V RGBW LED Flood Light (Dimmable)

AFL-401X-LI-A-BZ

Help Hotline:

1-813-978-3900 • Mon-Fri 9am-6pm (EST)

www.amplighting.com



! Important Safety Instructions: Read Before Installation

This luminaire is intended for installation in accordance with local codes and the National Electric Code (NEC). Failure to adhere to these codes and instructions may result in serious injury, property damage and void the warranty.

These instructions do not intend to cover all variations in installation, operation maintenance or mounting situations.

1. Make sure the power is turned OFF before installing or servicing this luminaire.
2. **WARNING:** risk of electrical shock. Install all luminaires 10 feet (3.05M) or more from pool, spa or fountain.
3. This luminaire is intended to be used only with a power supply (transformer) rated maximum of 300 watts (25 AMPS) at 15 volts.
4. Wiring connections must be made with UL listed wire connectors that are suitable for outdoor use.
5. Position the low voltage wire and wire connector so that it is located within 6 inches (15.2 cm) from a building structure, a luminaire or fitting.
6. The main low voltage cable is intended for shallow burial - less than 6 inches (152 mm).

! Important Safety Instructions

INSTRUCTIONS PERTAINING TO A RISK OF FIRE, OR INJURY TO PERSONS
Lighted lamp is HOT!

WARNING - To reduce the risk of FIRE OR INJURY TO PERSONS.

1. Turn off/unplug and allow to cool before replacing lamp.
2. Lamp gets HOT quickly! Contact only switch/plug when turning on.
3. Do not touch the hot lens, guard or enclosure.
4. Keep lamp away from materials that may burn.
5. Do not touch lamp at any time. Use a soft cloth. Oil from skin may damage lamp.
6. Do not operate the luminaire fitting with a missing or damaged shield.

SAVE THESE INSTRUCTIONS

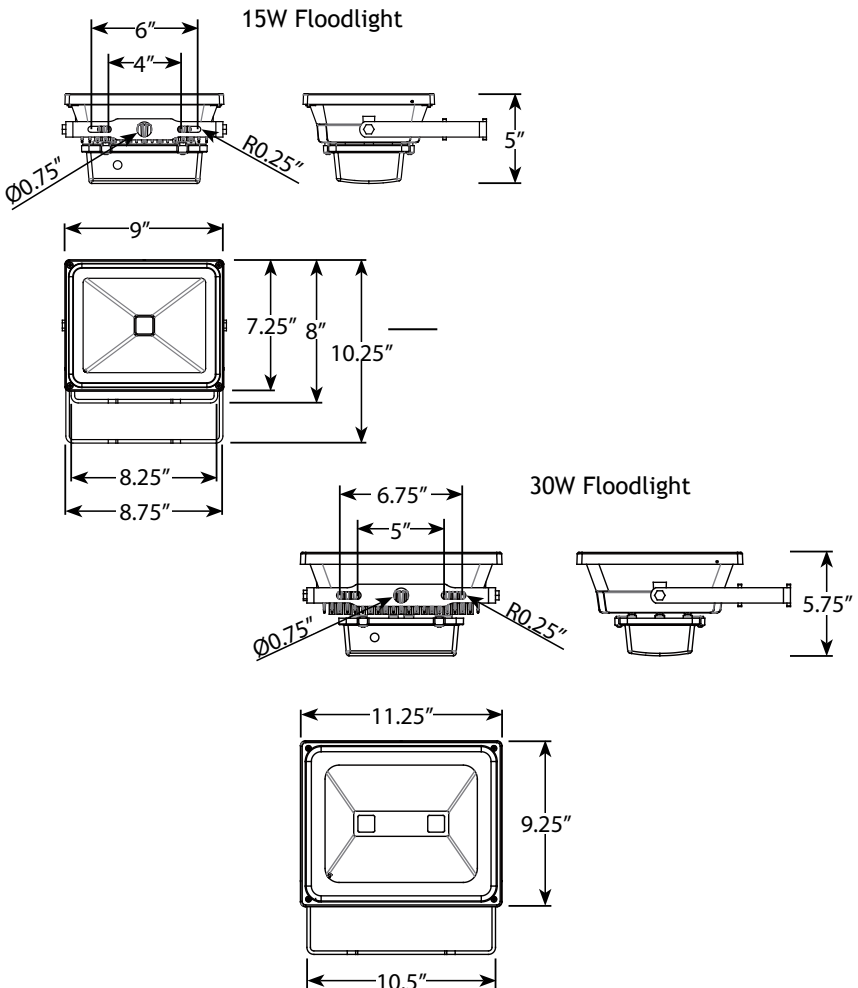
Package Contents

A. (1) Fixture

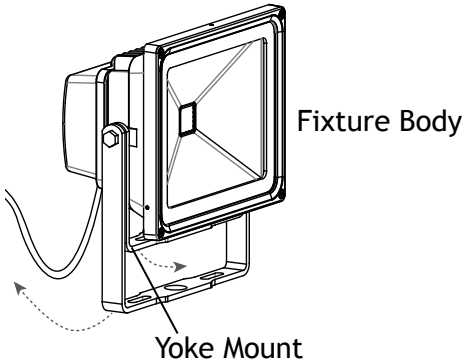
Products Model

Model	Input Voltage	Watt	Input Current
15W Floodlight	120V	15W	0.22A
30W Floodlight		30W	0.41A

Product Dimensions

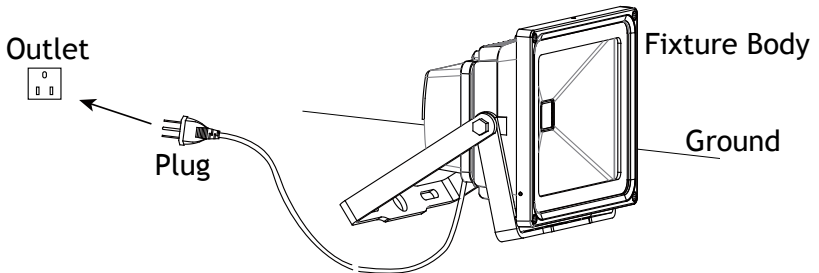


1 Rotate Yoke Mount



Rotate the yoke mount towards the back of the fixture body.

2 Plug in Fixture



Place the fixture on the ground at your desired location. Place the plug in the outlet.

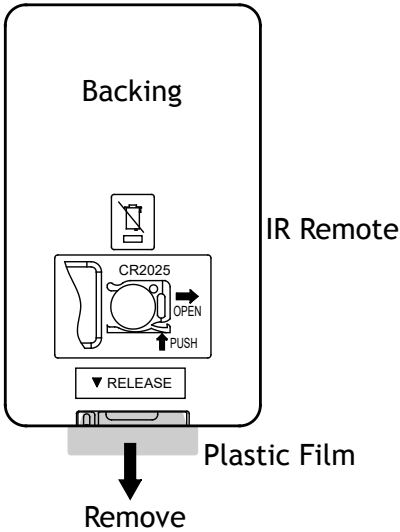
Turn on the power and check if the lighting fixture works. If not, please turn off the power and contact with local electrician.



IR Remote

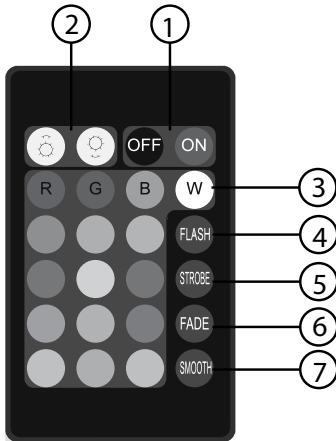
An IR Remote is suitable for this fixture. Please refer to the following instructions for usage and battery replacement.

1 Remove Plastic Film



Remove the plastic film from the IR remote before use.

2 IR Remote Functions



NOTE: When using the remote make sure it is pointed at the sensor in the faceplate so it operates properly.

1. On/Off
2. Brightness Control
3. 16 color selections

4. Flash

- ▶ Mode 1: Repeats Red, Green, Blue + color cycle for 1 second duration of each of the seven colors within this mode.
- ▶ Mode 2: Hit flash a second time and this mode slowly blends the same seven colors from mode one, mixing them together.

5. Strobe

- ▶ Mode 1: Pick any color on the remote, then press strobe and that color will strobe every second alternating between on and off.
- ▶ Mode 2: Hit strobe a second time and this mode will strobe a blended white color at the same speed as before.

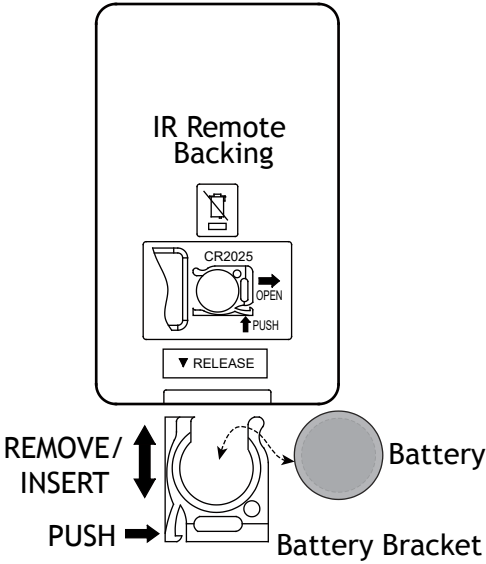
6. Fade

- ▶ Mode 1: Pick any color on the remote, then press fade and that color will slowly fade in and out every second.
- ▶ Mode 2: Hit fade a second time and it will fade a blended white color in and out at the same speed as before.

7. Smooth

- ▶ Mode 1: Repeats a flash cycle of Red, Green, and Blue only.
- ▶ Mode 2: Hit smooth a second time and this mode slowly blends Red, Green, and Blue only; in and out of each other at the same speed.

3 Replace Battery



Push the side of the battery bracket and carefully remove it from the IR remote. Replace the battery and then insert the battery bracket back into the IR remote.

Replacement Battery Style:
CR2025 Button Battery

AMP[®] Lighting

Help Hotline:

1-813-978-3900 • Mon-Fri 9am-6pm (EST)

Specifications and product details subject to change without notice.
© Copyright 2021, AMP[®] Lighting, Lutz FL USA 33549 • All rights reserved.
customersupport@amplighting.com • 813.978.3900

www.amplighting.com

IS-AFL-401X-LI-A-BZ-ver1.pdf