

INSTALLATION & MAINTENANCE GUIDE

AMP[®] Lighting

AMP[®] Low Voltage Landscape Lighting

AMP[®] PuckPro Hardscape Light

AHS-700X-5-B-RB

Help Hotline:

1-813-978-3900 • Mon-Fri 9am-6pm (EST)

www.amplighting.com



! Important Safety Instructions: Read Before Installation

This luminaire is intended for installation in accordance with local codes and the National Electric Code (NEC). Failure to adhere to these codes and instructions may result in serious injury, property damage and void the warranty.

These instructions do not intend to cover all variations in installation, operation maintenance or mounting situations.

1. Make sure the power is turned OFF before installing or servicing this luminaire.
2. **WARNING:** risk of electrical shock. Install all luminaires 10 feet (3.05M) or more from pool, spa or fountain.
3. This luminaire is intended to be used only with a power supply (transformer) rated maximum of 300 watts (25 AMPS) at 15 volts.
4. Wiring connections must be made with UL listed wire connectors that are suitable for outdoor use.
5. Position the low voltage wire and wire connector so that it is located within 6 inches (15.2 cm) from a building structure, a luminaire or fitting.
6. The main low voltage cable is intended for shallow burial - less than 6 inches (152 mm).
7. If additional lengths of low voltage cable are required, please contact www.amplighting.com or call 1-813-978-3900.

! Important Safety Instructions

INSTRUCTIONS PERTAINING TO A RISK OF FIRE, OR INJURY TO PERSONS
Lighted lamp is HOT!

WARNING - To reduce the risk of FIRE OR INJURY TO PERSONS.

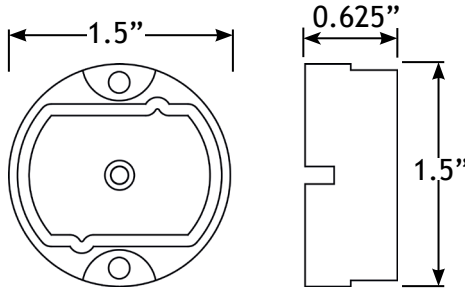
1. Turn off/unplug and allow to cool before replacing lamp.
2. Lamp gets HOT quickly! Contact only switch/plug when turning on.
3. Do not touch the hot lens, guard or enclosure.
4. Keep lamp away from materials that may burn.
5. Do not touch lamp at any time. Use a soft cloth. Oil from skin may damage lamp.
6. Do not operate the luminaire fitting with a missing or damaged shield.

SAVE THESE INSTRUCTIONS

Package Contents

A. (1) Fixture

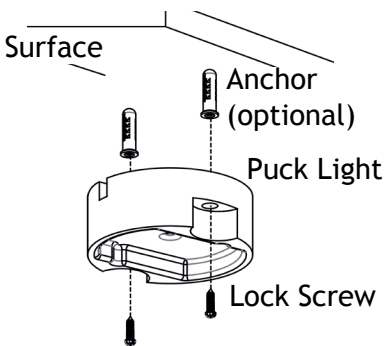
Product Dimensions



*** NOTE***

**FIXTURE MUST BE MOUNTED IN AN
INVERTED POSITION - FACING DOWNWARD**

1 Surface Mount

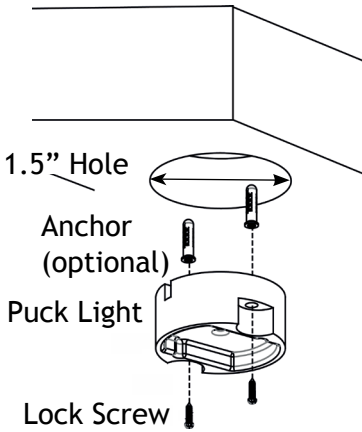


Attach the puck light to the flat surface (under railings, shelves, counters, benches, or any other niche location). Secure with lock screws.

Note: Wall anchors are required for certain installation conditions (brick and/or concrete surfaces). Place a mark on the surface where the holes are located on the puck light. Remove the puck light and drill proper holes on the flat surface, then insert the anchors.

AMP[®] AMP[®] PuckPro Hardscape Light AHS-700X-X-B-RB

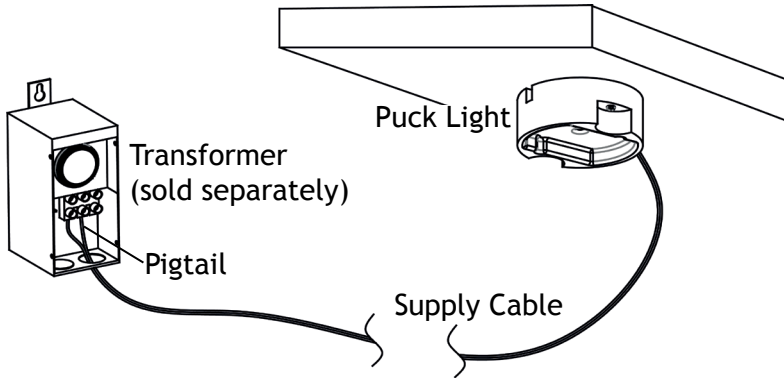
2 Recessed Mounted



Using a 1.5" core drill bit, drill a hole in the desired flat surface. Attach the puck light into the drilled hole and secure with the lock screws.

Note: Wall anchors are required for certain installation conditions (brick and/or concrete surfaces). Place a mark on the surface where the holes are located on the puck light. Remove the puck light and drill proper holes on the flat surface, then insert the anchors.

3 Wire Connections



Lay the supply cable out from the transformer. Strip both leads from the luminaire pigtail. Connect the leads from the luminaire supply cable to the transformer (sold separately).