

INSTALLATION & MAINTENANCE GUIDE

AMP[®] Lighting

AMP[®] Low Voltage Landscape Lighting

AMP[®] TuscanPro Path & Area Light

AHT-3517-B-BZ

Help Hotline:

1-813-978-3900 • Mon-Fri 9am-6pm (EST)

www.amplighting.com



! Important Safety Instructions: Read Before Installation

This luminaire is intended for installation in accordance with local codes and the National Electric Code (NEC). Failure to adhere to these codes and instructions may result in serious injury, property damage and void the warranty.

These instructions do not intend to cover all variations in installation, operation maintenance or mounting situations.

1. Make sure the power is turned OFF before installing or servicing this luminaire.
2. **WARNING:** risk of electrical shock. Install all luminaires 10 feet (3.05M) or more from pool, spa or fountain.
3. This luminaire is intended to be used only with a power supply (transformer) rated maximum of 300 watts (25 AMPS) at 15 volts.
4. Wiring connections must be made with UL listed wire connectors that are suitable for outdoor use.
5. Position the low voltage wire and wire connector so that it is located within 6 inches (15.2 cm) from a building structure, a luminaire or fitting.
6. The main low voltage cable is intended for shallow burial - less than 6 inches (152 mm).

! Important Safety Instructions

INSTRUCTIONS PERTAINING TO A RISK OF FIRE, OR INJURY TO PERSONS
Lighted lamp is HOT!

WARNING - To reduce the risk of FIRE OR INJURY TO PERSONS.

1. Turn off/unplug and allow to cool before replacing lamp.
2. Lamp gets HOT quickly! Contact only switch/plug when turning on.
3. Do not touch the hot lens, guard or enclosure.
4. Keep lamp away from materials that may burn.
5. Do not touch lamp at any time. Use a soft cloth. Oil from skin may damage lamp.
6. Do not operate the luminaire fitting with a missing or damaged shield.

SAVE THESE INSTRUCTIONS

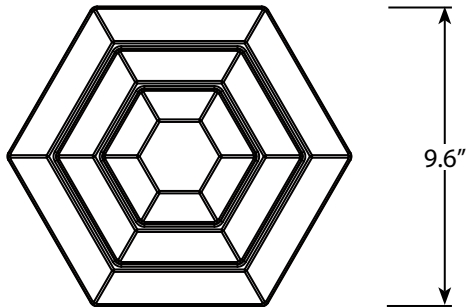
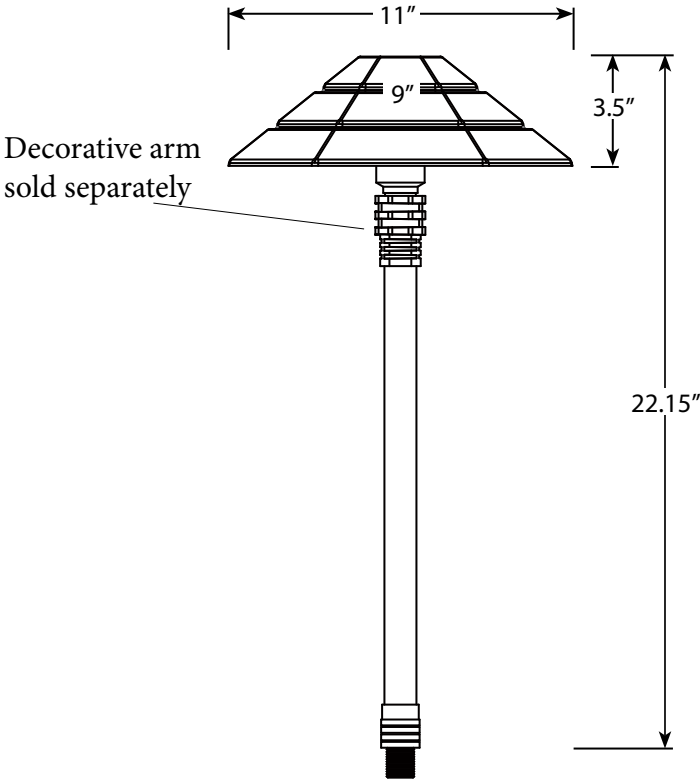
Package Contents

- A. (1) Hat

Parts Sold Separately

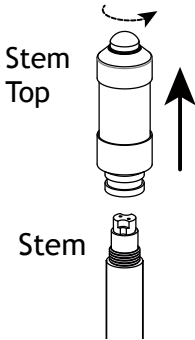
- A. (1) Decorative Arm

Product Dimensions



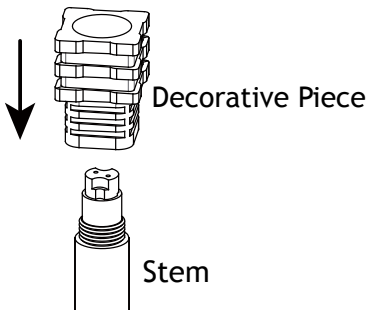
AMP® AMP® TuscanPro Path & Area Light AHT-3517-B-BZ

1 Remove Stem Top



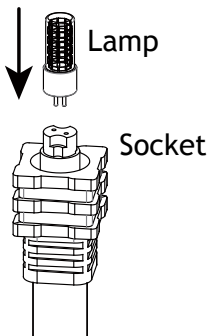
Loosen the stem top and remove it from the top end of the stem.

2 Install Decorative Piece (optional)



Place the decorative piece onto the top end of the stem as shown.

3 Install Lamp

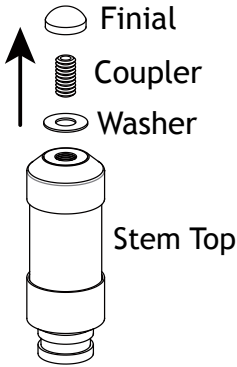


Insert the lamp with the correct wattage and type marked on the fixture label and push firmly into place.

CAUTION: Do not exceed maximum wattage marked on fixture label.

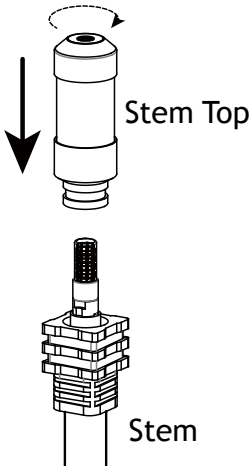
AMP® AMP® TuscanPro Path & Area Light AHT-3517-B-BZ

4 Remove Washer and Finial



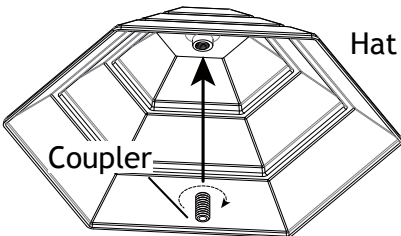
Loosen the finial and remove the finial, coupler and washer from the stem top.

5 Install Stem Top



Place the stem top over the lamp and thread the stem top onto the stem. Hand tighten until snug.

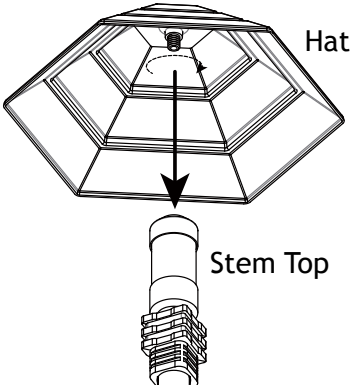
6 Install Coupler to Hat



Thread the coupler onto the hat and hand tighten until snug.

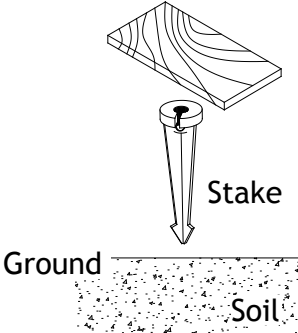


7 Install Hat



Thread the hat onto the stem top and hand tighten until snug.

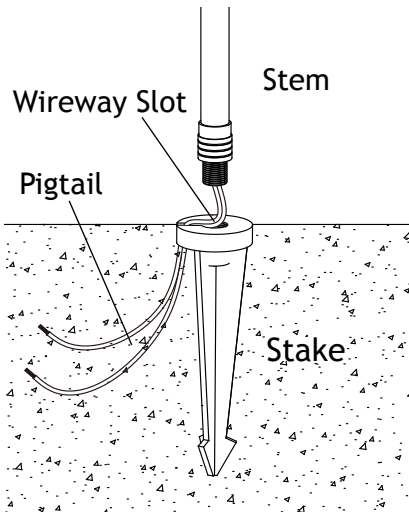
8 Install Stake



Determine the desired location for mounting the stake mount. Hammer the stake into the ground until flange of stake is flush to grade. To avoid damage to the stake, place a board on top of the stake while hammering.

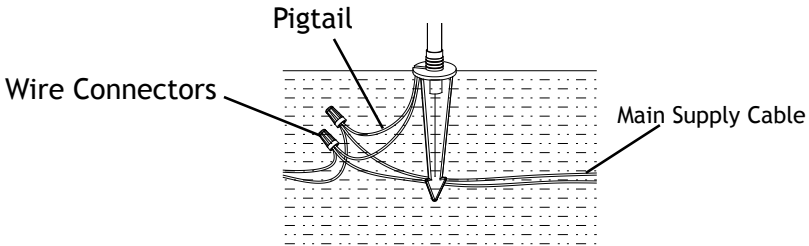
Note: If the ground is hard and the stake is difficult to install, make a crosscut in the ground using a flat shovel.

9 Install Stem to Stake



Clear away an area in the ground at the wireway slot on top of the stake. Lay the luminaire pigtail into the wireway slot and secure the stem onto the stake. Tighten until snug.

10 Wire Connection



Strip both leads from the luminaire. Using two wire connectors (sold separately), connect the leads from the fixture to the main supply cable leads.

Install/Replace Bulb

Remove the hat and stem top to expose the lamp and replace it with the correct wattage and type marked on the fixture label. Then, reinstall the stem top and hat.

IMPORTANT: Lamps must be protected from moisture and dust at all times. Always reinstall the stem top and hat when removed.

AMP[®] Lighting

Help Hotline:

1-813-978-3900 • Mon-Fri 9am-6pm (EST)

Specifications and product details subject to change without notice.
© Copyright 2020, AMP[®] Lighting, Lutz FL USA 33549 • All rights reserved.
customersupport@amplighting.com • 813.978.3900

www.amplighting.com

IS-AHT-3517-B-BZ-ver1.pdf