

## INSTALLATION & MAINTENANCE GUIDE

AMP® LOW VOLTAGE LANDSCAPE LIGHTING

**AMP® (8)Spotlight Expansion Kit**

**ITEM: AMPSKIT-003**


1-813-978-3900 • Mon-Fri 9am-6pm (EST)

 **IMPORTANT SAFETY INSTRUCTIONS: READ BEFORE INSTALLATION**

This luminaire is intended for installation in accordance with local codes and the National Electric Code (NEC). Failure to adhere to these codes and instructions may result in serious injury, property damage and void the warranty.

These instructions do not intend to cover all variations in installation, operation maintenance or mounting situations.

1. Make sure that the power is turned OFF before installing or servicing this fixture.
2. Warning: this fixture is not intended to be installed within 10 feet [3 meters] of a pool, spa or fountain.
3. This fixture is intended to be used only with a power supply (transformer) rated maximum of 300 watts (25 AMPS) at 15 volts.
4. Underground Low Energy Cable must not be buried over 6" (15.2 cm) in order to connect to the main low voltage cable.
5. Wiring connections must be made with UL listed wire connectors that are suitable for outdoor use.
6. Position the wire connector so that it is located within 6 inches (15.2 cm) from a building structure, a luminaire, or fitting.

 **IMPORTANT SAFETY INSTRUCTIONS**

INSTRUCTIONS PERTAINING TO A RISK OF FIRE, OR INJURY TO PERSONS  
Lighted lamp is HOT!

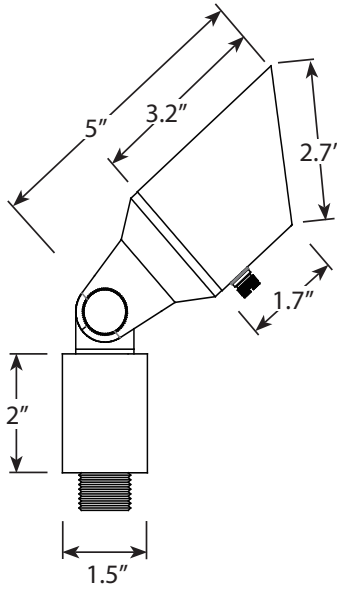
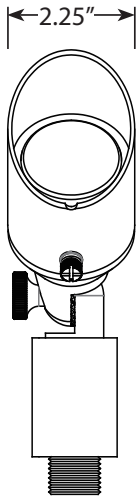
**WARNING** – To reduce the risk of FIRE OR INJURY TO PERSONS.

1. Turn off/unplug and allow to cool before reducing lamp.
2. Lamp gets HOT quickly!
3. Do not touch the hot lens, guard or cowl.
4. Keep lamp away from materials that may burn.
5. Do not touch lamp at any time.
6. Use a soft cloth.
7. Oil from skin may damage lamp.
8. Do not operate the fixture with a damaged or missing lens or shield.

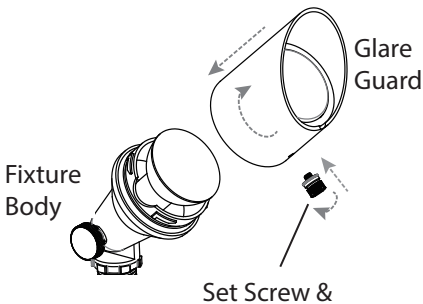
## PACKAGE CONTENTS

### A. (1) Fixture Body

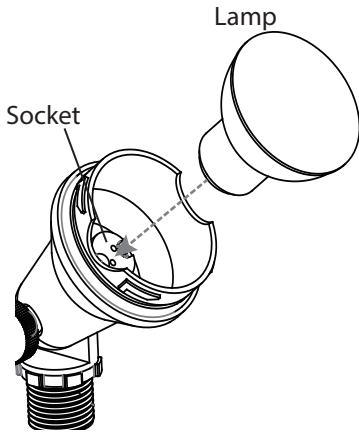
## PRODUCT DIMENSIONS



## 1 Remove Glare Guard

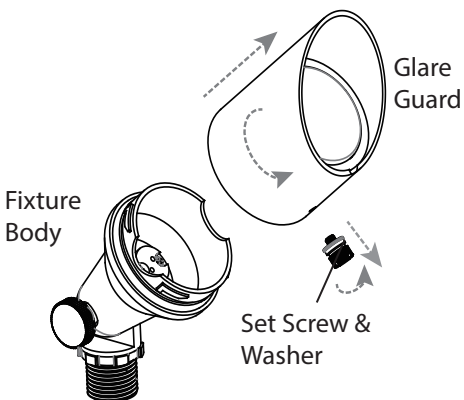


Remove the set screw and washer, rotate the glare guard counter clockwise and remove it from the fixture body.

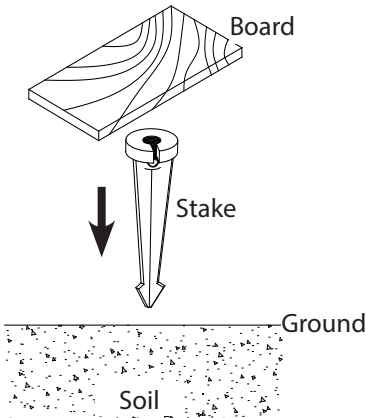
**2** INSTALL FIXTURE TO STAKE

Insert the lamp with the correct wattage and type marked on the fixture label and secure into place.

**CAUTION:** Do not exceed maximum wattage marked on luminaire label.

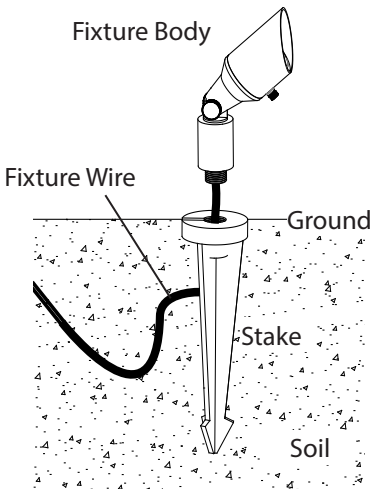
**3** WIRE CONNECTION

Place the glare guard back onto the fixture body and rotate it clockwise. Thread the set screw with washer back onto the glare guard.

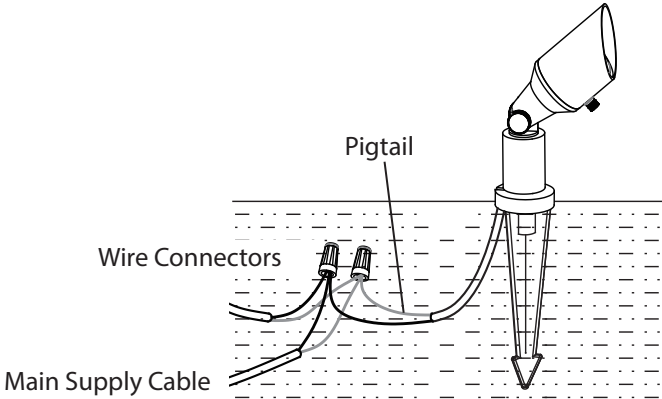


Determine the desired location for mounting the stake mount. Hammer the stake into the ground until flange of stake is flush to grade. To avoid damage to the stake, place a board on top of the stake while hammering.

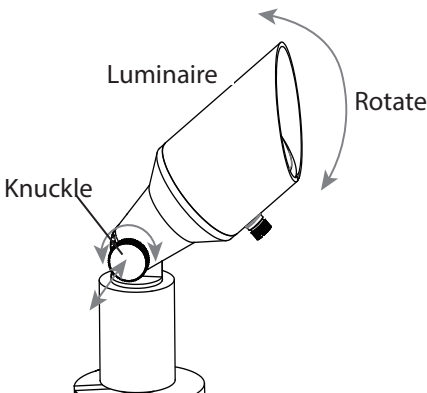
Note: If the ground is hard and the stake is difficult to install, make a crosscut in the ground using a flat shovel.



Pass the fixture wire through the center hole of the stake. Thread the fixture body onto the stake. Hand tighten until snug.

**6** INSTALL LENS

Strip both leads from the luminaire pigtail. Using two wire connectors (sold separately), connect the leads from the luminaire to the main supply cable leads.

**7** ADJUST LUMINAIRE DIRECTION

Loosen the knuckle to adjust the luminaire to your desired direction. Always tighten the knuckle once your desired direction is achieved.

## INSTALL/REPLACE LAMP

Remove the glare guard and the lens to expose the MR16 lamp and replace it with the correct wattage and type marked on the fixture label. Then, reinstall the lens and the glare guard.

**IMPORTANT:** MR16 lamp must be protected from moisture and dust at all times. Always reinstall the lens and the glare guard when removed.



1-813-978-3700 • Mon-Fri 9am-6pm (EST)

Specifications and product details subject to change without notice.  
© Copyright 2023, AMP® Lighting, Lutz FL USA 33549 • All rights reserved.  
[customersupport@amplighting.com](mailto:customersupport@amplighting.com) • [amplighting.com](http://amplighting.com)