

INSTALLATION & MAINTENANCE GUIDE

AMP[®] Lighting

AMP[®] Low Voltage Landscape Lighting

AMP[®] ScoutPro Path Light

APL-3016-4-B-BZ

Help Hotline:

1-813-978-3900 • Mon-Fri 9am-6pm (EST)

www.amplighting.com



Important Safety Instructions: Read Before Installation

This luminaire is intended for installation in accordance with local codes and the National Electric Code (NEC). Failure to adhere to these codes and instructions may result in serious injury, property damage and void the warranty.

These instructions do not intend to cover all variations in installation, operation maintenance or mounting situations.

1. Make sure the power is turned OFF before installing or servicing this luminaire.
2. **WARNING:** risk of electrical shock. Install all luminaires 10 feet (3.05M) or more from pool, spa or fountain.
3. This luminaire is intended to be used only with a power supply (transformer) rated maximum of 300 watts (25 AMPS) at 15 volts.
4. Wiring connections must be made with wire connectors that are suitable for outdoor use.
5. Position the low voltage wire and wire connector so that it is located within 6 inches (15.2 cm) from a building structure, a luminaire or fitting.
6. The main low voltage cable is intended for shallow burial - less than 6 inches (152 mm).
7. If additional lengths of low voltage cable are required, please contact www.amplighting.com or call 1-813-978-3900.



Important Safety Instructions

INSTRUCTIONS PERTAINING TO A RISK OF FIRE, OR INJURY TO PERSONS

Lighted lamp is HOT!

WARNING - To reduce the risk of FIRE OR INJURY TO PERSONS.

1. Turn off/unplug and allow to cool before replacing lamp.
2. Lamp gets HOT quickly! Contact only switch/plug when turning on.
3. Do not touch the hot lens, guard or enclosure.
4. Keep lamp away from materials that may burn.
5. Do not touch lamp at any time. Use a soft cloth. Oil from skin may damage lamp.
6. Do not operate the luminaire fitting with a missing or damaged shield.

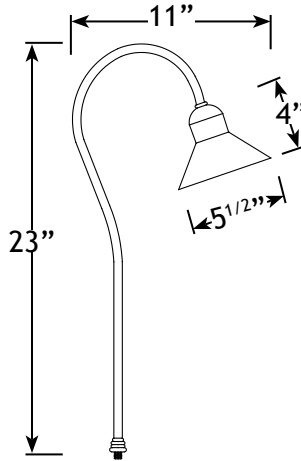
SAVE THESE INSTRUCTIONS

Package Contents

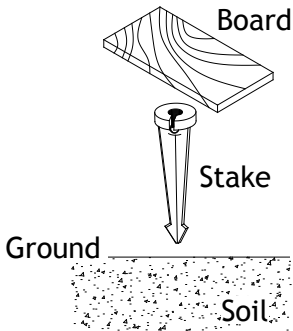
- A. (1) Fixture Body
- B. (1) Lens

- C. (3) Set Screws

Product Dimensions



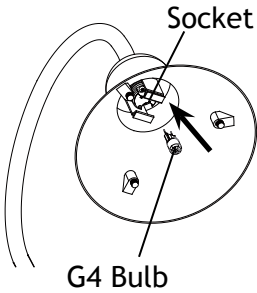
1 Install Stake



Determine the desired location for mounting the fixture. Hammer the stake into the ground until flange of stake is flush to grade. To avoid damage to the stake, place a board on top of the stake while hammering.

NOTE: If the ground is hard and the stake is difficult to install, make a crosscut in the ground using a flat shovel.

2 Install G4 Bi-Pin

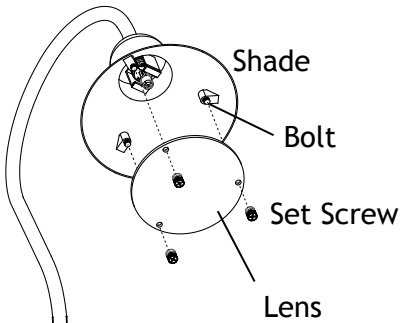


Insert the G4 Bi-Pin with the correct wattage and type as marked on luminaire label. Push the Bi-Pin into place.

CAUTION: Do not exceed maximum wattage marked on luminaire label.

NOTE: DO NOT TOUCH G4 Bi-Pin with bare hands. Use soft cloth to handle lamp.

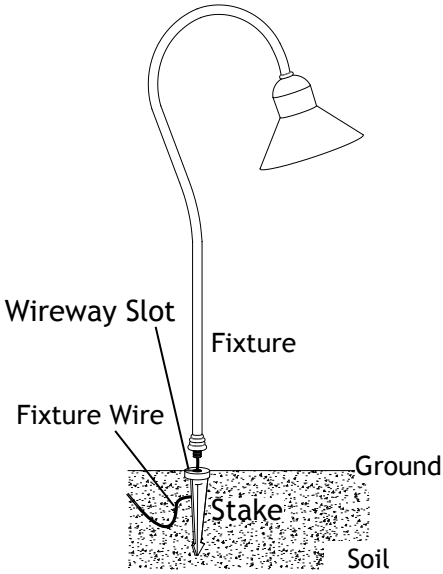
3 Install Lens



Attach the lens over the bolts in the shade and secure with the set screws.

AMP[®] AMP[®] ScoutPro Path Light APL-3016-4-B-BZ

4 Install Fixture to Stake

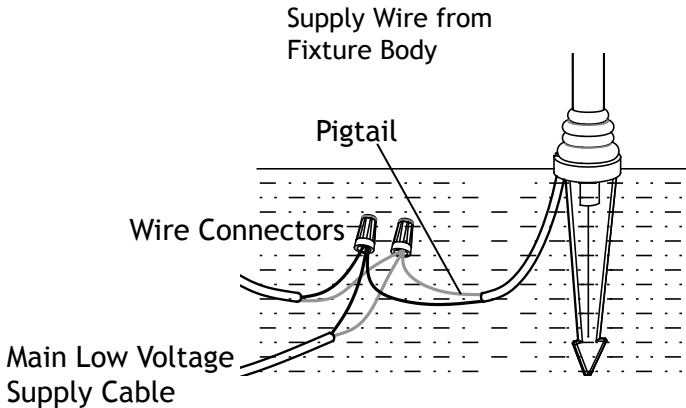


Clear an area in the ground at the wireway slot on top of the stake. Lay the fixture wire into the wireway slot and thread the fixture onto the stake.

If the assembly does not look straight, adjust by pushing or pulling on the stake only.

Use a bubble level against the side of the stem to ensure that the stem is perpendicular to the ground.

5 Wire Connections



Strip both leads from fixture body. Using two wire connectors (sold separately), connect the leads from fixture body to the main low voltage supply cable leads.



Install/Replace Bi-Pin

Loosen the set screws and remove the lens to expose the G4 Bi-Pin and replace it with the correct wattage and type marked on the luminaire label. Then reinstall the lens and secure with set screws.

IMPORTANT: G4 Bi-Pin must be protected from moisture and dust at all times. Always reinstall the lens when removed.

AMP[®] Lighting

Help Hotline:

1-813-978-3900 • Mon-Fri 9am-6pm (EST)

Specifications and product details subject to change without notice.
© Copyright 2019, AMP[®] Lighting, Lutz FL USA 33549 • All rights reserved.
customersupport@amplighting.com • 813.978.3900

www.amplighting.com

IS-APL-3016-4-B-BZ-ver1.pdf