

## INSTALLATION & MAINTENANCE GUIDE

**AMP**<sup>®</sup> Lighting

AMP<sup>®</sup> Low Voltage Landscape Lighting

AMP<sup>®</sup> Radix or Helix Bollard

APL-301X-XX-4-B-BZ

Help Hotline:

1-813-978-3900 • Mon-Fri 9am-6pm (EST)

[www.amplighting.com](http://www.amplighting.com)

**Important Safety Instructions: Read Before Installation**

This luminaire is intended for installation in accordance with local codes and the National Electric Code (NEC). Failure to adhere to these codes and instructions may result in serious injury, property damage and void the warranty.

These instructions do not intend to cover all variations in installation, operation maintenance or mounting situations.

1. Make sure the power is turned OFF before installing or servicing this luminaire.
2. **WARNING:** risk of electrical shock. Install all luminaires 10 feet (3.05M) or more from pool, spa or fountain.
3. This luminaire is intended to be used only with a power supply (transformer) rated maximum of 300 watts (25 AMPS) at 15 volts.
4. Wiring connections must be made with wire connectors that are suitable for outdoor use.
5. Position the low voltage wire and wire connector so that it is located within 6 inches (15.2 cm) from a building structure, a luminaire or fitting.
6. The main low voltage cable is intended for shallow burial - less than 6 inches (152 mm).
7. If additional lengths of low voltage cable are required, please contact [www.amplighting.com](http://www.amplighting.com) or call 1-813-978-3900.

**Important Safety Instructions**

**INSTRUCTIONS PERTAINING TO A RISK OF FIRE, OR INJURY TO PERSONS**  
**Lighted lamp is HOT!**

**WARNING** - To reduce the risk of FIRE OR INJURY TO PERSONS.

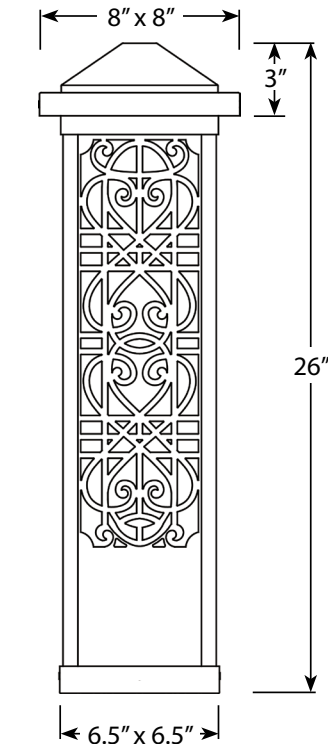
1. Turn off/unplug and allow to cool before replacing lamp.
2. Lamp gets HOT quickly! Contact only switch/plug when turning on.
3. Do not touch the hot lens, guard or enclosure.
4. Keep lamp away from materials that may burn.
5. Do not touch lamp at any time. Use a soft cloth. Oil from skin may damage lamp.
6. Do not operate the luminaire fitting with a missing or damaged shield.

SAVE THESE INSTRUCTIONS

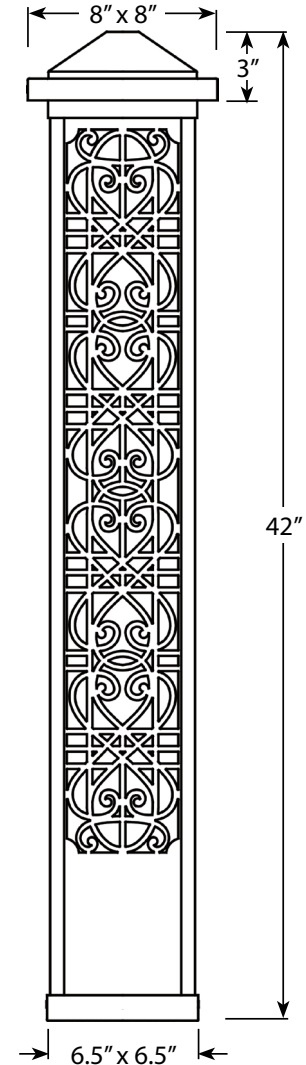
**Package Contents**

- A. (1) Fixture
- B. (2) Stakes
- C. (2) Threaded Couplers (attaches stake and fixture)

**Product Dimensions**

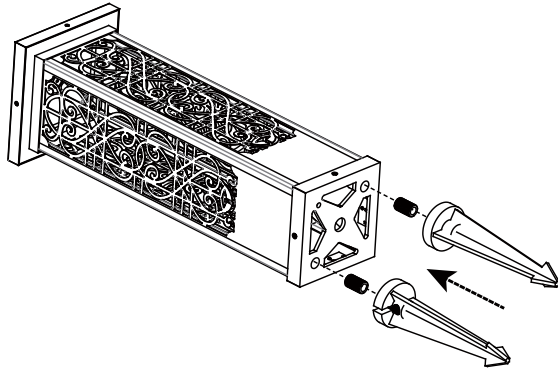


APL-3010-26-4-B-BZ Pictured



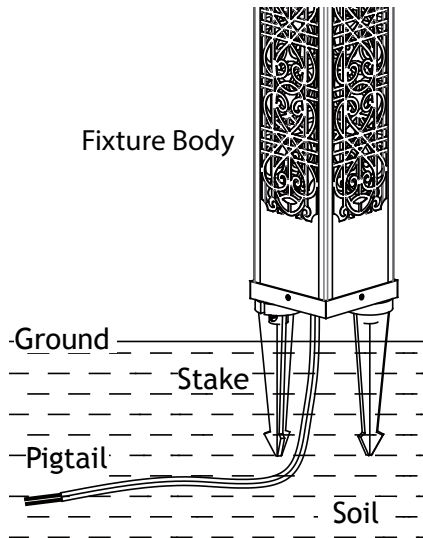
APL-3010-42-4-B-BZ Pictured

**1** Install Stakes to Fixture



Lay down the fixture body on a flat surface. Screw the couplers into the mounting holes on the bottom of the fixture body then thread the stakes onto the couplers. Hand tighten to secure the stakes onto the fixture body.

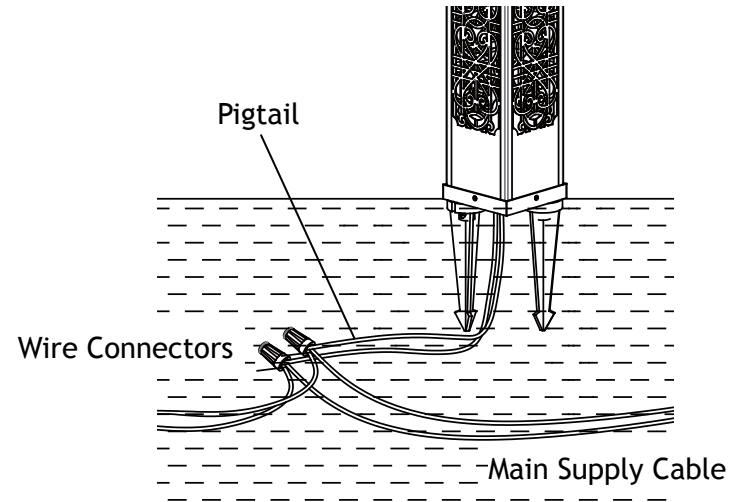
**2** Install Stakes to Ground



Determine the desired location for the fixture. Clear away an area in the ground and lay the luminaire pigtail into the wireway slot. Insert stakes into the ground until flange of stakes are flush to grade.

NOTE: If the ground is hard and stakes are difficult to install, make a crosscut in the ground using a flat shovel.

**3** Wire Connection



Strip both leads from the luminaire pigtail. Using two wire connectors (not provided), connect the leads from the fixture body to the main supply cable leads.



AMP® Radix or Helix Bollard  
APL-301X-XX-4-B-BZ

**AMP**<sup>®</sup> Lighting

**Help Hotline:**

**1-813-978-3900 • Mon-Fri 9am-6pm (EST)**

Specifications and product details subject to change without notice.  
© Copyright 2019, AMP<sup>®</sup> Lighting, Lutz FL USA 33549 • All rights reserved.  
customersupport@amplighting.com • 813.978.3900

**[www.amplighting.com](http://www.amplighting.com)**

IS-APL-301X-XX-4-B-BZ-ver1.pdf