

INSTALLATION & MAINTENANCE GUIDE

AMP[®] Lighting

AMP[®] Low Voltage Landscape Lighting

AMP[®] Stagecoach LED Path & Area Light

APL-3023-4-B-BZ

Help Hotline:

1-813-978-3900 • Mon-Fri 9am-6pm (EST)

www.amplighting.com

! Important Safety Instructions: Read Before Installation

This luminaire is intended for installation in accordance with local codes and the National Electric Code (NEC). Failure to adhere to these codes and instructions may result in serious injury, property damage and void the warranty.

These instructions do not intend to cover all variations in installation, operation maintenance or mounting situations.

1. Make sure that the power is turned OFF before installing or servicing this luminaire.
2. **WARNING:** risk of electrical shock. Install all luminaires 10 feet (3.05M) or more from pool, spa or fountain.
3. This luminaire is intended to be used only with a power supply (transformer) rated maximum of 300 watts (25 AMPS) at 15 volts.
4. Wiring connections must be made with UL listed wire connectors that are suitable for outdoor use.
5. Position the low voltage wire and wire connector so that it is located within 6 inches (15.2 cm) from a building structure, a luminaire or fitting.
6. The main low voltage cable is intended for shallow burial - less than 6 inches (152 mm).

! Important Safety Instructions

LIGHTED LAMP IS HOT!

WARNING - TO REDUCE THE RISK OF FIRE OR INJURY TO PERSONS.

1. Turn off/unplug and allow to cool before reducing lamp.
2. Lamp gets **HOT** quickly!
3. Do not touch the hot lens, guard or cowl.
4. Keep lamp away from materials that may burn.
5. Do not touch lamp at any time.
6. Use a soft cloth.
7. Oil from skin may damage lamp.
8. Do not operate the fixture with a damaged or missing lens or shield.

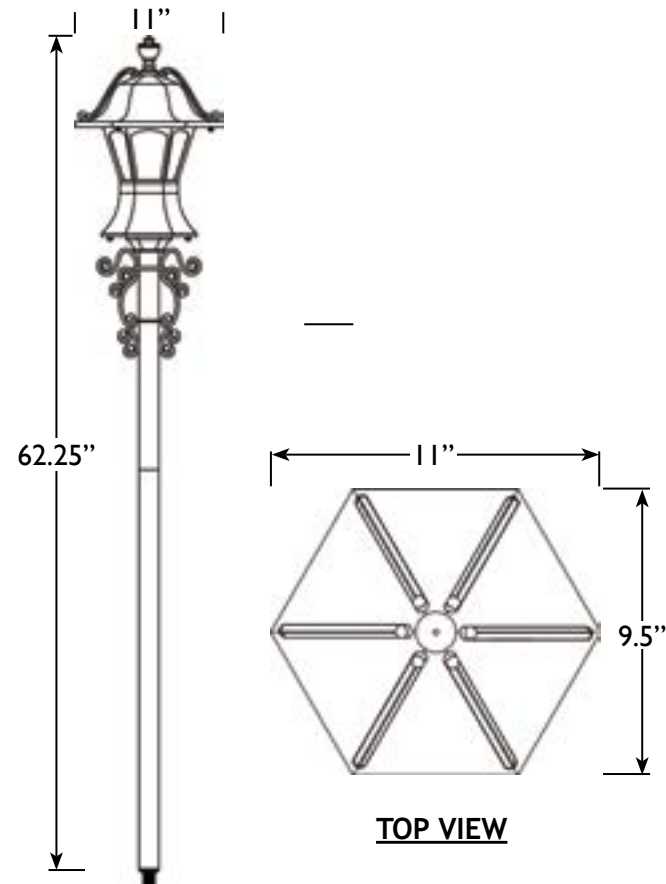
Package Contents

- | | |
|----------------|---|
| A. (1) Fixture | C. (1) Ultra Realistic LED Moving Flame Bi-Pin Candle |
| B. (1) Stem | D. (1) 17" Stake |

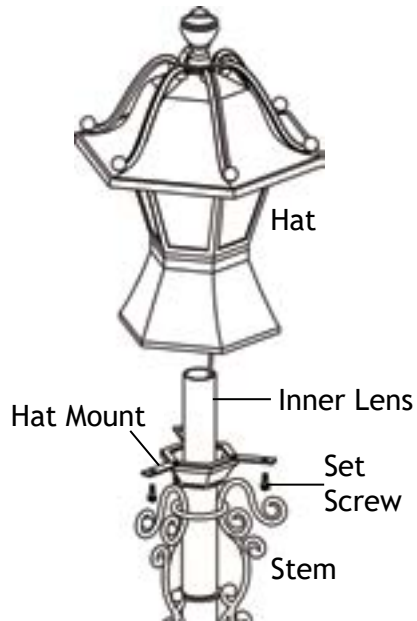
Additional Parts Required (sold separately)

- A. (1) LED SCB Lamp

Product Dimensions

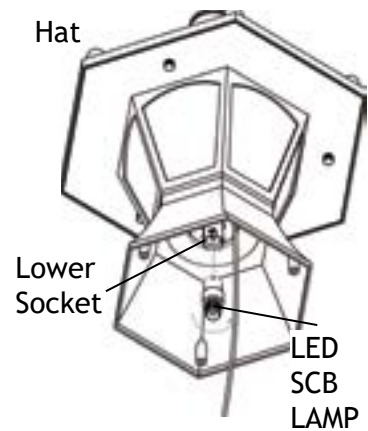


1 Remove the Hat



Remove the hat from the stem by removing the set screws from the hat mount.

2 Install LED Lamp

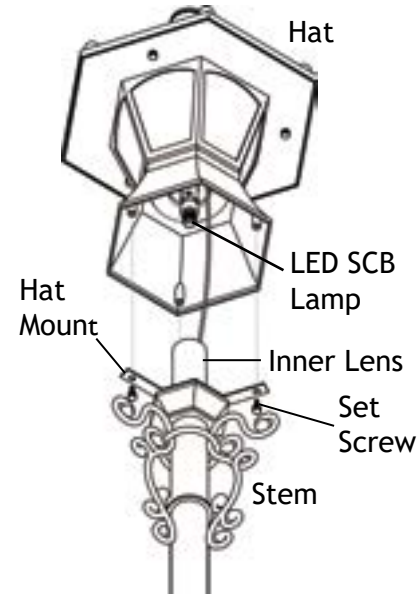


Insert the lamp with the correct wattage and type marked on the fixture label.

CAUTION: Do not exceed maximum wattage marked on luminaire label.

NOTE: DO NOT touch bulb with bare hands. Use soft cloth to handle bulb.

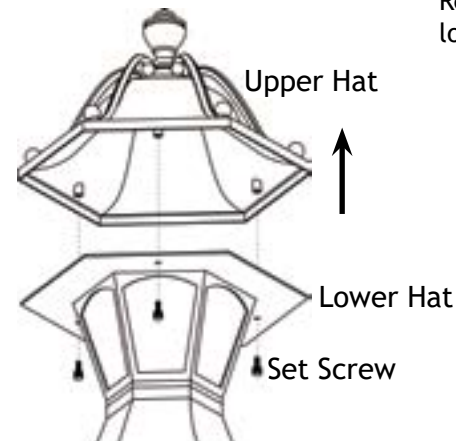
3 Reinstall Hat



After installing the LED lamp into the socket, place the hat back onto the mount at the top of the stem.

Secure both pieces in place with the set screws previously removed. Hand tighten until snug.

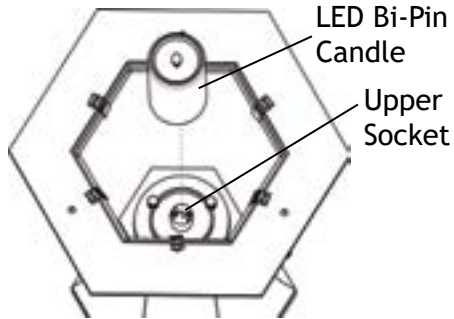
4 Remove Upper Part of Hat



Remove the upper part of the hat by loosening the set screws.

AMP® AMP® Stagecoach LED Path & Area Light APL-3032-4-B-BZ

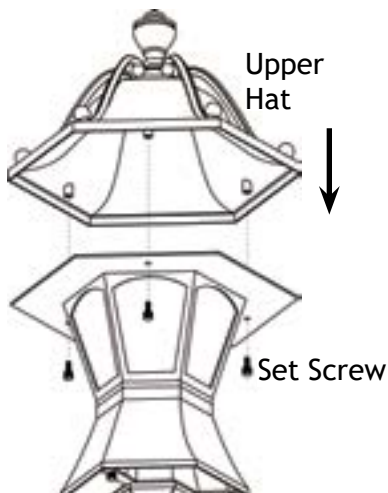
5 Install LED Bi-Pin Candle



Insert Ultra Realistic LED Moving Flame Bi-Pin Candle.

CAUTION: Do not exceed maximum wattage marked on luminaire label.

6 Reinstall Upper Part of Hat



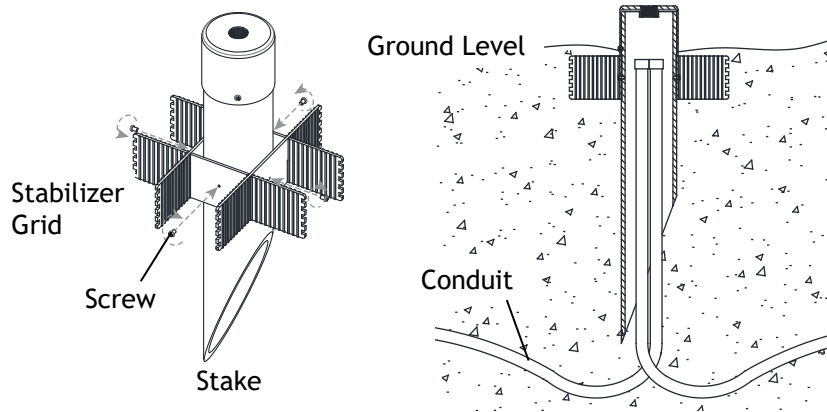
Place the upper part of the hat back onto the lower part of the hat and secure with the set screws previously removed. Hand tighten until snug.

7 Install Stem



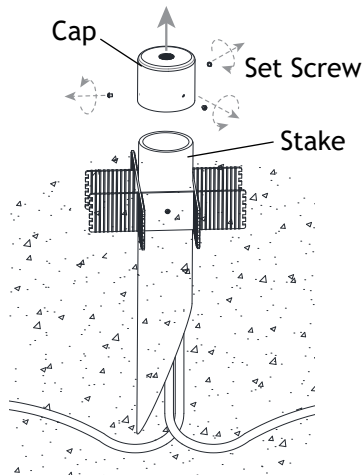
Pass the supply wires through the stem and extension. Then thread the extension onto the stem. Hand tighten until snug.

8 Install Stake and Conduit



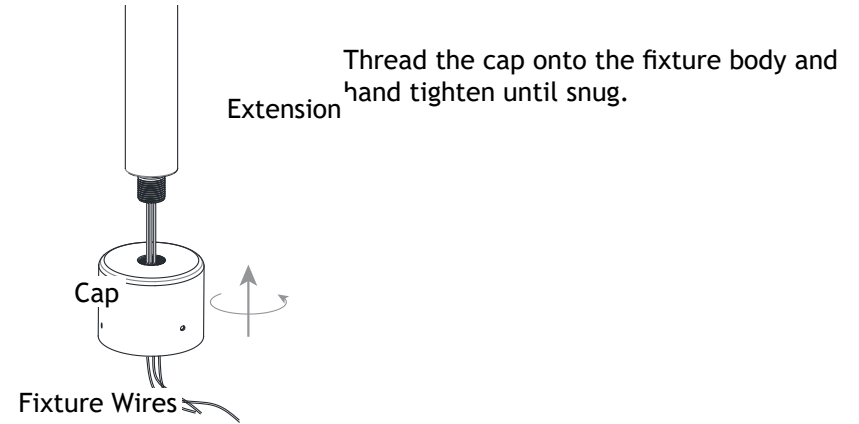
Dig a hole in the ground for the conduit runs and the stake. Install the conduit. Slide the stabilizer grid onto the stake and secure with the screws. Place the stake over the conduit runs. Backfill against the mounting stake.

9 Remove Cap from Stake



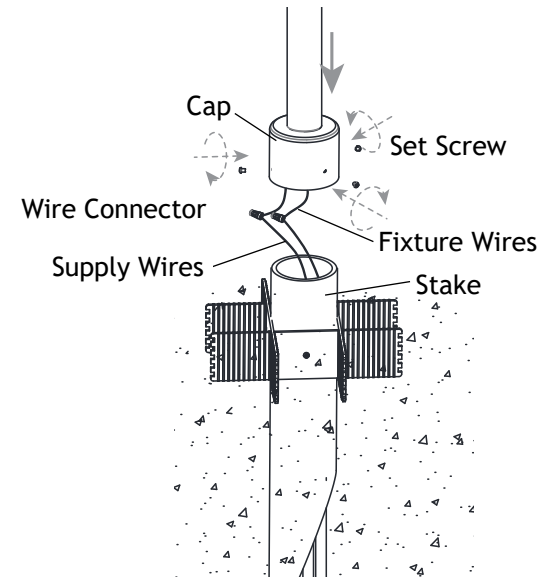
Remove the cap from the stake by loosening the set screws.

10 Install Cap to Fixture



Thread the cap onto the fixture body and hand tighten until snug.

11 Wire Connection and Fixture Installation



Strip both leads from the luminaire pigtail. Using two wire connectors (sold separately), connect the leads from the luminaire to the main supply cable leads.



Help Hotline:

1-813-978-3900 • Mon-Fri 9am-6pm (EST)

Specifications and product details subject to change without notice.
© Copyright 2021, AMP® Lighting, Lutz FL USA 33549 • All rights reserved.
customersupport@amplighting.com • 813.978.3900

www.amplighting.com

IS-APL-3023-4-B-BZ-ver3.pdf