

## INSTALLATION & MAINTENANCE GUIDE

**AMP**<sup>®</sup> Lighting

AMP<sup>®</sup> Low Voltage Landscape Lighting

AMP<sup>®</sup> 12V Mini PilotPro Bollard

APL-3024-4-B-BZ

Help Hotline:

1-813-978-3900 • Mon-Fri 9am-6pm (EST)

[www.amplighting.com](http://www.amplighting.com)



## Important Safety Instructions: Read Before Installation

This luminaire is intended for installation in accordance with local codes and the National Electric Code (NEC). Failure to adhere to these codes and instructions may result in serious injury, property damage and void the warranty.

These instructions do not intend to cover all variations in installation, operation maintenance or mounting situations.

1. Make sure the power is turned OFF before installing or servicing this luminaire.
2. **WARNING:** risk of electrical shock. Install all luminaires 10 feet (3.05M) or more from pool, spa or fountain.
3. This luminaire is intended to be used only with a power supply (transformer) rated maximum of 300 watts (25 AMPS) at 15 volts.
4. Wiring connections must be made with UL listed wire connectors that are suitable for outdoor use.
5. Position the low voltage wire and wire connector so that it is located within 6 inches (15.2 cm) from a building structure, a luminaire or fitting.
6. The main low voltage cable is intended for shallow burial - less than 6 inches (152 mm).



## Important Safety Instructions

### INSTRUCTIONS PERTAINING TO A RISK OF FIRE, OR INJURY TO PERSONS

#### Lighted lamp is HOT!

**WARNING** - To reduce the risk of FIRE OR INJURY TO PERSONS.

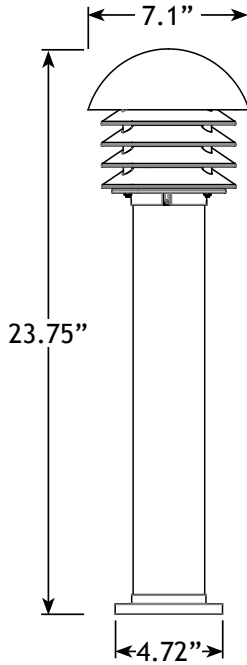
1. Turn off/unplug and allow to cool before replacing lamp.
2. Lamp gets HOT quickly! Contact only switch/plug when turning on.
3. Do not touch the hot lens, guard or enclosure.
4. Keep lamp away from materials that may burn.
5. Do not touch lamp at any time. Use a soft cloth. Oil from skin may damage lamp.
6. Do not operate the luminaire fitting with a missing or damaged shield.

SAVE THESE INSTRUCTIONS

## Package Contents

- A. (1) Fixture Body
- B. (1) Coupler

## Product Dimensions



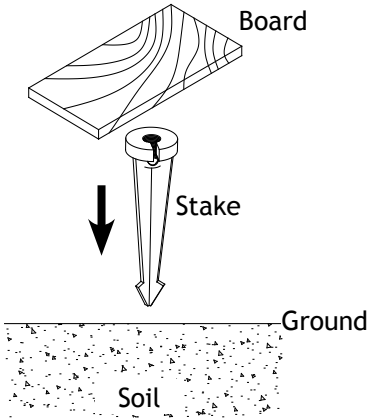
Two installation options are available for this fixture.

1. Stake mount (option 1): Step 1 - Step 2, then go to Step 4.
2. Surface mount (option 2): Step 3, then go to Step 4.

# AMP® 12V Mini PilotPro Bollard APL-3024-4-B-BZ

## Stake Mount (Option 1)

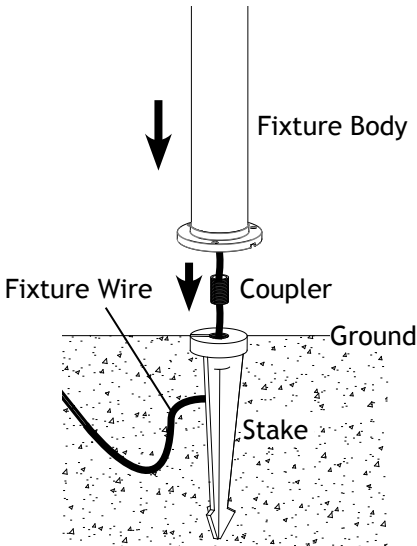
### 1 Install Stake



Determine the desired location for mounting the stake mount. Hammer the stake into the ground until flange of stake is flush to grade. To avoid damage to the stake, place a board on top of the stake while hammering.

Note: If the ground is hard and the stake is difficult to install, make a crosscut in the ground using a flat shovel.

### 2 Install Fixture Body to Stake

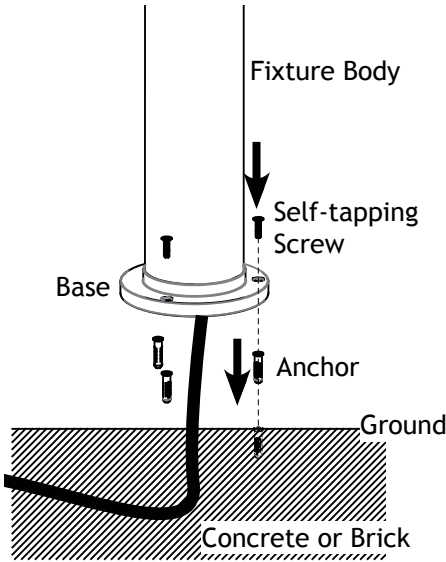


Pass the fixture wire through the coupler and the center hole of the stake. Thread the fixture body, the coupler and the stake together. Hand tighten until snug.

# AMP® AMP® 12V Mini PilotPro Bollard APL-3024-4-B-BZ

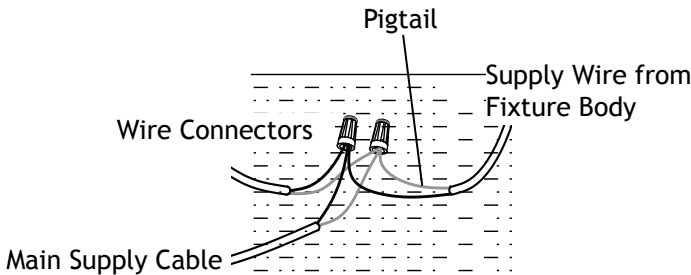
## Surface Mount (Option 2)

### 3 Install Fixture Body with Self-tapping Screws



Place the fixture body on the desired location and make three marks on the ground using the holes on the base. Remove the fixture body and drill proper holes into the ground. Insert the anchors into the drilled holes, then place the base of the fixture body onto the anchors and secure by threading self-tapping screws into anchors. Hand tighten with a screwdriver.

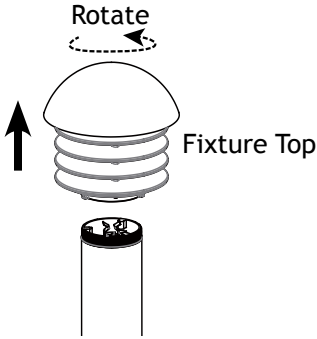
### 4 Wire Connections



Strip both leads from fixture body. Using two wire connectors (sold separately), connect the leads from the fixture body to the main supply cable leads.

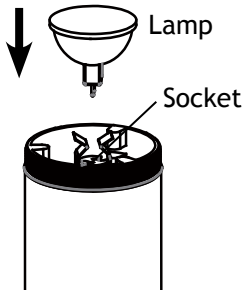


## 5 Remove Fixture Top



Rotate the fixture top and remove it from the fixture body.

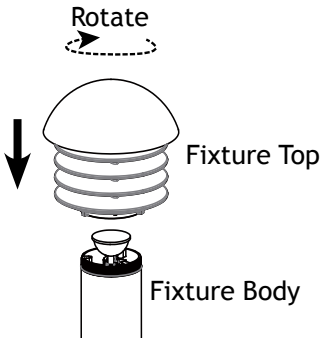
## 6 Install Lamp



Insert the lamp with correct wattage and type marked on the fixture label and secure tightly into place.

**CAUTION:** Do not exceed maximum wattage marked on luminaire label.

## 7 Install Fixture Top



Thread the fixture top back onto the fixture body. Hand tighten until snug.

## Install/Replace Lamp

Please reverse Step 5 - Step 7 to expose the lamp and replace it with the correct wattage and type marked on the fixture label. And then reinstall the fixture top.

**IMPORTANT:** Lamp must be protected from moisture and dust at all times. Always reinstall the fixture top when removed.

**AMP**<sup>®</sup> Lighting

**Help Hotline:**

**1-813-978-3900 • Mon-Fri 9am-6pm (EST)**

Specifications and product details subject to change without notice.  
© Copyright 2019, AMP<sup>®</sup> Lighting, Lutz FL USA 33549 • All rights reserved.  
customersupport@amplighting.com • 813.978.3900

**[www.amplighting.com](http://www.amplighting.com)**

IS-APL-3024-4-B-BZ-ver1.pdf