

INSTALLATION & MAINTENANCE GUIDE

AMP[®] Lighting

AMP[®] Low Voltage Landscape Lighting

AMP[®] Wider NovellePro

APL-3026-4-B-BZ

Help Hotline:

1-813-978-3900 • Mon-Fri 9am-6pm (EST)

www.amplighting.com

! Important Safety Instructions: Read Before Installation

This luminaire is intended for installation in accordance with local codes and the National Electric Code (NEC). Failure to adhere to these codes and instructions may result in serious injury, property damage and void the warranty.

These instructions do not intend to cover all variations in installation, operation maintenance or mounting situations.

1. Make sure that the power is turned OFF before installing or servicing this luminaire.
2. Warning: risk of electrical shock. Install all luminaires 10 feet (3.05M) or more from pool, spa or fountain.
3. This luminaire is intended to be used only with a power supply (transformer) rated maximum of 300 watts (25 AMPS) at 15 volts.
4. Wiring connections must be made with UL listed wire connectors that are suitable for outdoor use.
5. Position the low voltage wire and wire connector so that it is located within 6 inches (15.2 cm) from a building structure, a luminaire or fitting.
6. The main low voltage cable is intended for shallow burial - less than 6 inches (152 mm).

! Important Safety Instructions

INSTRUCTIONS PERTAINING TO A RISK OF FIRE, OR INJURY TO PERSONS
Lighted lamp is HOT!

WARNING - To reduce the risk of FIRE OR INJURY TO PERSONS.

1. Turn off/unplug and allow to cool before replacing lamp.
2. Lamp gets HOT quickly! Contact only switch/plug when turning on.
3. Do not touch the hot lens, guard or enclosure.
4. Keep lamp away from materials that may burn.
5. Do not touch lamp at any time. Use a soft cloth. Oil from skin may damage lamp.
6. Do not operate the luminaire fitting with a missing or damaged shield.

SAVE THESE INSTRUCTIONS

Package Contents

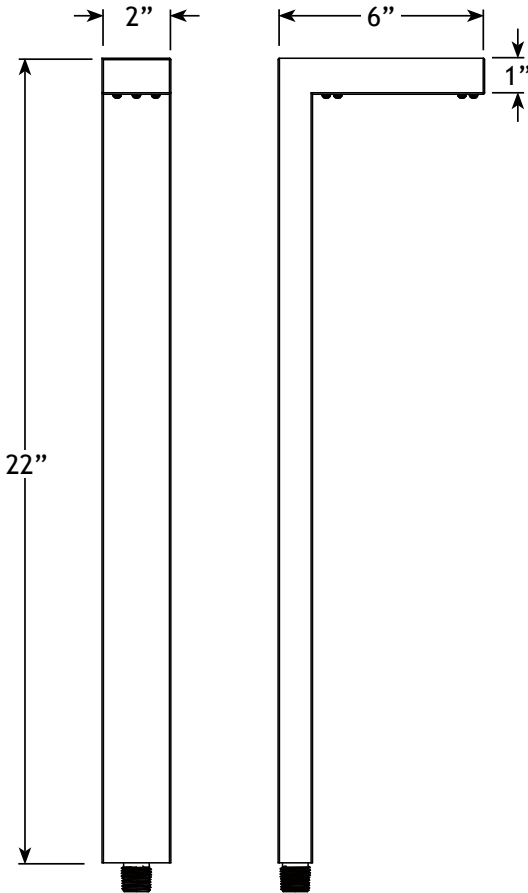
A. (1) Fixture Body

B. (1) Stake

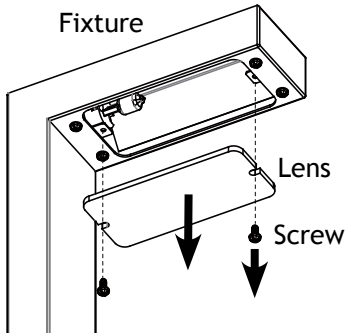
Parts Required (sold separately)

A. (1) G4 Bi-Pin

Product Dimensions

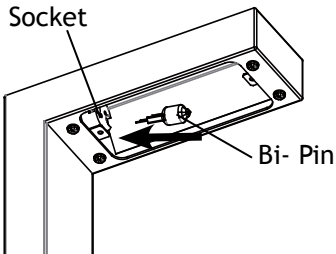


1 Remove Lens



Remove the lens from the fixture by loosening the screws.

2 Install G4 Bulb

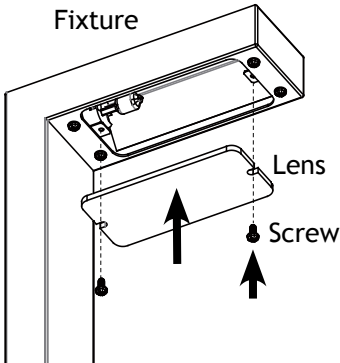


Insert the Bi-Pin with correct wattage and type marked on fixture label and push into place.

CAUTION: Do not exceed maximum wattage marked on luminaire label.

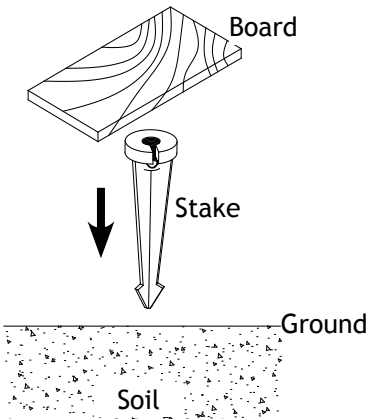
NOTE: DO NOT touch bulb with bare hands. Use soft cloth to handle bulb.

3 Install Lens



Place the lens back onto the fixture and secure with the previously removed screws. Tighten until snug.

4 Install Stake

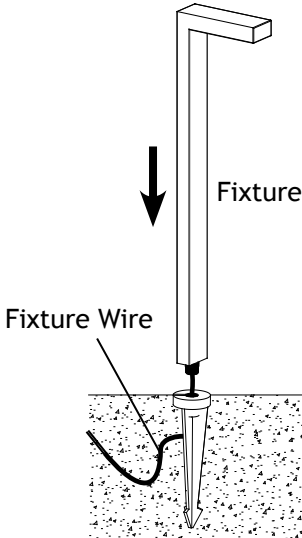


Determine the desired location for mounting the stake mount. Hammer the stake into the ground until flange of stake is flush to grade. To avoid damage to the stake, place a board on top of the stake while hammering.

Note: If the ground is hard and the stake is difficult to install, make a crosscut in the ground using a flat shovel.

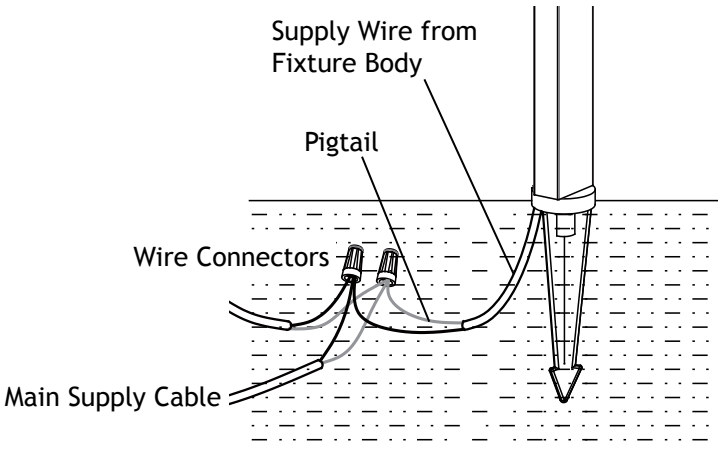


5 Install Fixture to Stake



Pass the fixture wire through the center hole of the stake. Thread the fixture on to the stake and hand tighten until snug.

6 Wire Connections



Strip both leads from fixture body. Using two wire connectors (sold separately), connect the leads from the fixture body to main supply cable leads.

Install/Replace G4 Bulb

Please reverse Step 2 - Step 3 to expose the bi-pin and replace it with the correct wattage and type marked on the fixture label. And then reinstall the lens.

IMPORTANT: Bi-Pin must be protected from moisture and dust at all times. Always reinstall the lens when removed.

AMP[®] Lighting

Help Hotline:

1-813-978-3900 • Mon-Fri 9am-6pm (EST)

Specifications and product details subject to change without notice.
© Copyright 2020, AMP[®] Lighting, Lutz FL USA 33549 • All rights reserved.
customersupport@amplighting.com • 813.978.3900

www.amplighting.com

IS-APL-3026-4-B-BZ-ver1.pdf