

## INSTALLATION & MAINTENANCE GUIDE

**AMP**<sup>®</sup> Lighting

AMP<sup>®</sup> Low Voltage Landscape Lighting

AMP<sup>®</sup> G2 ArchPro Path & Area Light

APL-3031-B-BZ

Help Hotline:

1-813-978-3900 • Mon-Fri 9am-6pm (EST)

[www.amplighting.com](http://www.amplighting.com)



## Important Safety Instructions: Read Before Installation

This luminaire is intended for installation in accordance with local codes and the National Electric Code (NEC). Failure to adhere to these codes and instructions may result in serious injury, property damage and void the warranty.

These instructions do not intend to cover all variations in installation, operation maintenance or mounting situations.

1. Make sure that the power is turned OFF before installing or servicing this fixture.
2. Warning: this fixture is not intended to be installed within 10 feet [3 meters] of a pool, spa or fountain.
3. This fixture is intended to be used only with a power supply (transformer) rated maximum of 300 watts (25 AMPS) at 15 volts.
4. Underground Low Energy Cable must not be buried over 6" (15.2 cm) in order to connect to the main low voltage cable.
5. Wiring connections must be made with UL Listed wire connectors that are suitable for the application.
6. Position the wire connector so that it is located within 6 inches (15.2 cm) from a building structure, a luminaire, or fitting.



## Important Safety Instructions

**INSTRUCTIONS PERTAINING TO A RISK OF FIRE, OR INJURY TO PERSONS**  
**Lighted lamp is HOT!**

**WARNING - To reduce the risk of FIRE OR INJURY TO PERSONS.**

1. Turn off/unplug and allow to cool before reducing lamp.
2. Lamp gets HOT quickly!
3. Do not touch the hot lens, guard or cowl.
4. Keep lamp away from materials that may burn.
5. Do not touch lamp at any time.
6. Use a soft cloth.
7. Oil from skin may damage lamp.
8. Do not operate the fixture with a damaged or missing lens or shield.

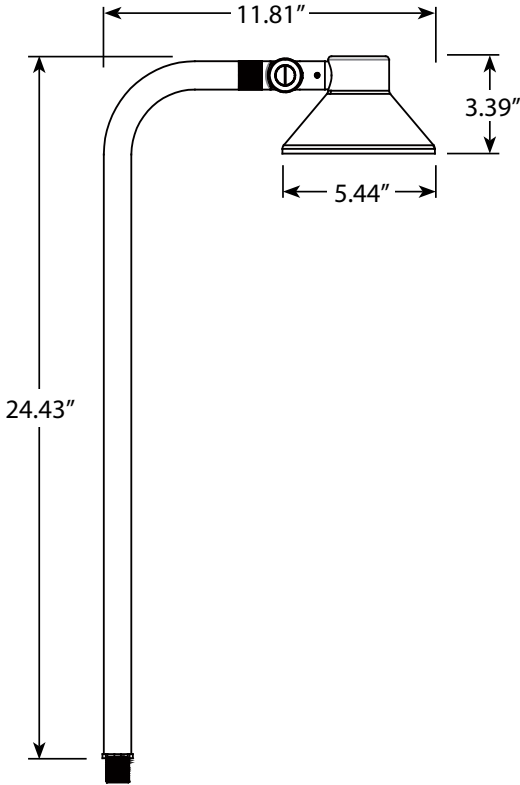
## Package Contents

- A. (1) Fixture Body

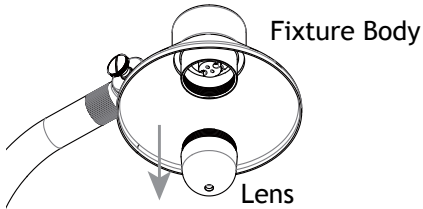
## Parts Required

- A. (1) Mounting Accessory
- B. (1) GU4 Bi-Pin

## Product Dimensions

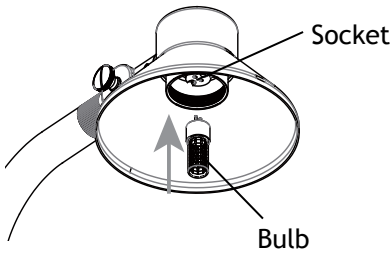


## 1 Remove Lens



Loosen the lens and remove it from the fixture body.

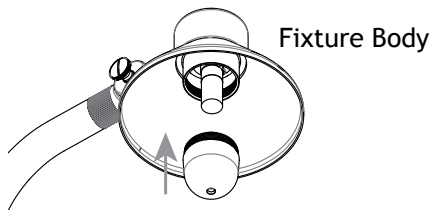
## 2 Install Bulb



Insert the bulb with the correct wattage and type marked on the fixture label and push into place.

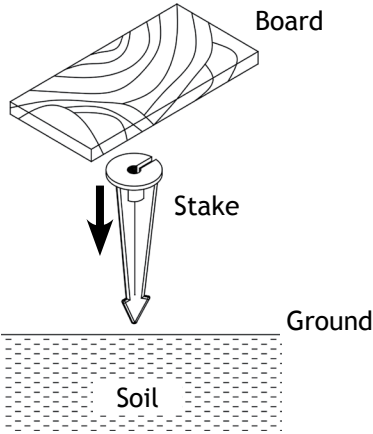
**CAUTION:** Do not exceed maximum wattage marked on fixture label.

## 3 Install Lens



Thread the lens back onto the fixture body and hand tighten until snug.

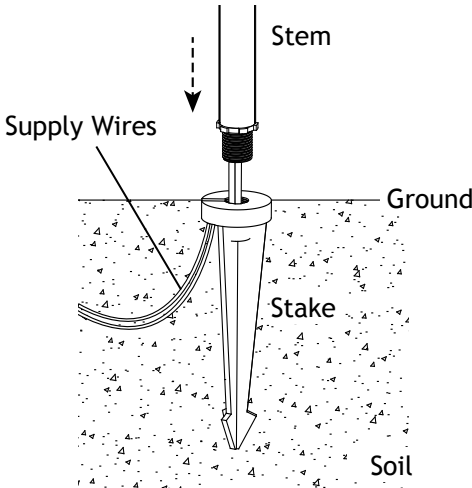
**4 Install Stake**



Determine the desired location for mounting the stake mount. Hammer the stake into the ground until flange of stake is flush to grade. To avoid damage to the stake, place a board on top of the stake while hammering.

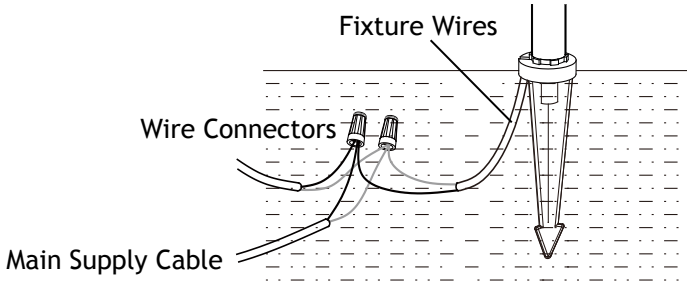
Note: If the ground is hard and the stake is difficult to install, make a crosscut in the ground using a flat shovel.

**5 Install Fixture to Stake**



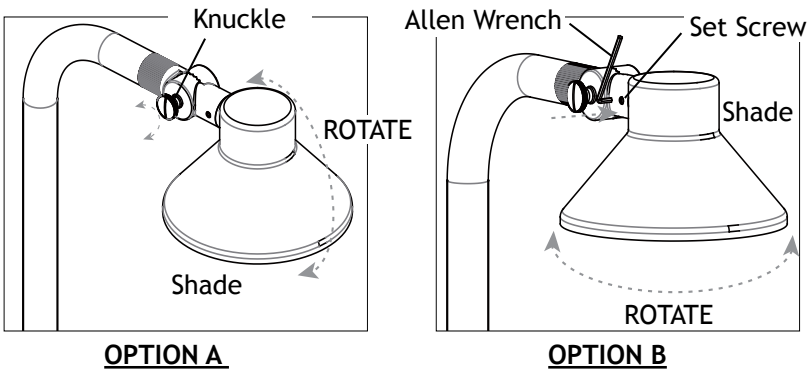
Pass the supply wires through the center hole of the stake and thread the stem onto the stake. Hand tighten until snug. Clear away an area in the ground and lay the supply wires into the wireway slot.

## 6 Wire Connections



Strip both leads from the fixture wires. Using two UL listed wire connectors (sold separately), connect the leads from the fixture wires to the main supply cable leads.

## 7 Adjust Shade Direction



There are two methods to adjust the shade direction.

**NOTE:** Do not rotate the shade a full 360°. This will damage the internal wiring.

- A. Loosen the knuckle on the stem to adjust the shade to your desired angle. Once your desired angle is achieved, hand tighten the knuckle to secure the shade direction.
- B. Using the Allen wrench, loosen the set screw on the stem and adjust the shade to your desired angle. Once your desired angle is achieved, tighten the set screw using the Allen wrench to secure the shade direction.

## Install/Replace Bulb

Reverse Step 2 - Step 3 to expose the bulb and replace it with the correct wattage and type marked on the fixture label. Then, reinstall the lens.

**IMPORTANT:** The bulb must be protected from moisture and dust at all times. Always reinstall the lens when removed.

**AMP**<sup>®</sup> Lighting

**Help Hotline:**

**1-813-978-3900 • Mon-Fri 9am-6pm (EST)**

Specifications and product details subject to change without notice.  
© Copyright 2021, AMP<sup>®</sup> Lighting, Lutz FL USA 33549 • All rights reserved.  
customersupport@amplighting.com • 813.978.3900

**[www.amplighting.com](http://www.amplighting.com)**

IS-APL-3031-B-BZ-ver1.pdf