

INSTALLATION & MAINTENANCE GUIDE

AMP[®] Lighting

AMP[®] Low Voltage Landscape Lighting

AMP[®] ShellPro Path & Area Light

APL-3034-B-BZ

Help Hotline:

1-813-978-3900 • Mon-Fri 9am-6pm (EST)

www.amplighting.com



Important Safety Instructions: Read Before Installation

This luminaire is intended for installation in accordance with local codes and the National Electric Code (NEC). Failure to adhere to these codes and instructions may result in serious injury, property damage and void the warranty.

These instructions do not intend to cover all variations in installation, operation maintenance or mounting situations.

1. Make sure that the power is turned OFF before installing or servicing this fixture.
2. **Warning:** this fixture is not intended to be installed within 10 feet [3 meters] of a pool, spa or fountain.
3. This fixture is intended to be used only with a power supply (transformer) rated maximum of 300 watts (25 AMPS) at 15 volts.
4. Underground Low Energy Cable must not be buried over 6" (15.2 cm) in order to connect to the main low voltage cable.
5. Wiring connections must be made with UL Listed wire connectors that are suitable for the application.
6. Position the wire connector so that it is located within 6 inches (15.2 cm) from a building structure, a luminaire, or fitting.



Important Safety Instructions

INSTRUCTIONS PERTAINING TO A RISK OF FIRE, OR INJURY TO PERSONS
Lighted lamp is HOT!

WARNING - To reduce the risk of FIRE OR INJURY TO PERSONS.

1. Turn off/unplug and allow to cool before reducing lamp.
2. Lamp gets HOT quickly!
3. Do not touch the hot lens, guard or cowl.
4. Keep lamp away from materials that may burn.
5. Do not touch lamp at any time.
6. Use a soft cloth.
7. Oil from skin may damage lamp.
8. Do not operate the fixture with a damaged or missing lens or shield.

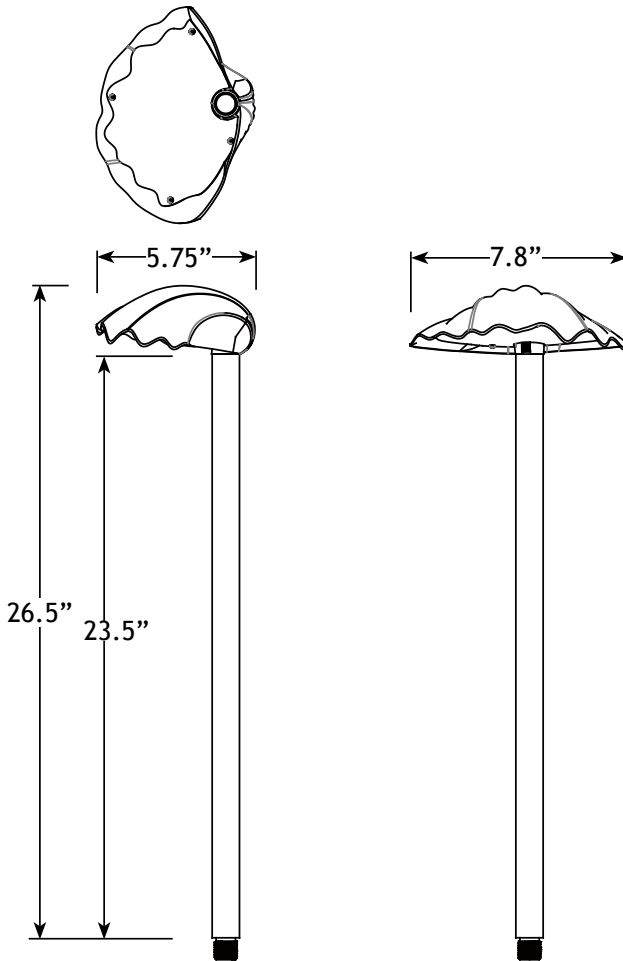
Package Contents

A. (1) Fixture Body

Parts Required (Sold Separately)

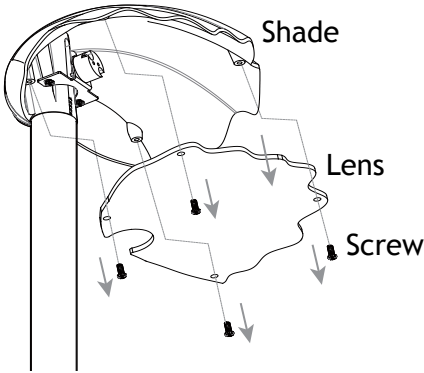
- A. (1) Mounting Accessory
- B. (1) Flat Bi-Pin LED Bulb

Product Dimensions



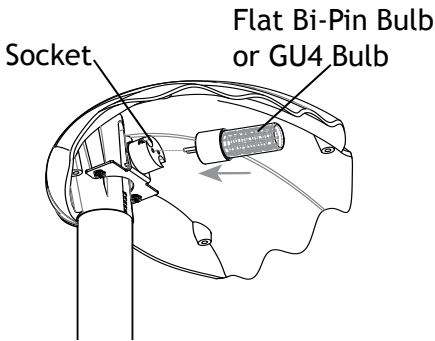


1 Remove Lens



Using a screwdriver, loosen screws on the lens and remove the lens from the shade.

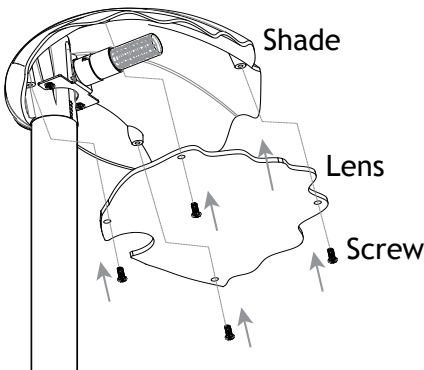
2 Install Bulb



Insert bulb with correct wattage and type marked on fixture label and push into place.

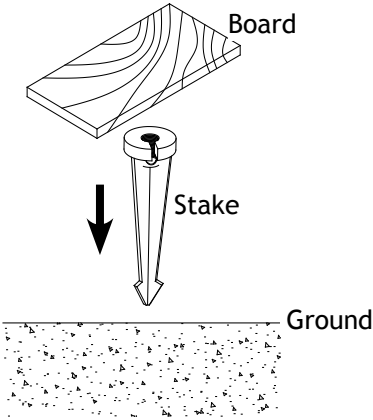
CAUTION: Do not exceed maximum wattage marked on fixture label.

3 Install Lens



Place the lens back onto the shade and secure with previously removed screws. Tighten until snug with screwdriver.

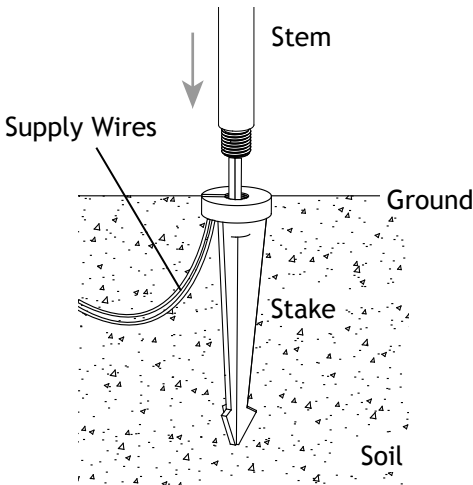
4 Install Stake



Determine the desired location for mounting the luminaire. Hammer the stake into the ground until flange of stake is flush to grade. To avoid damage to the stake, place a board on top of the stake while hammering.

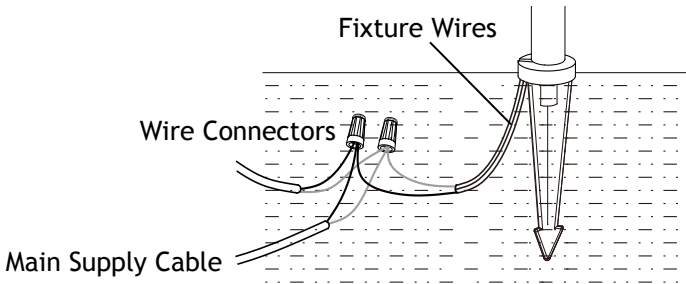
Note: If the ground is hard and the stake is difficult to install, make a crosscut in the ground using a flat shovel.

5 Install Fixture Body to Stake



Pass supply wires through the center hole of the stake and thread the stem onto the stake. Hand tighten until snug. Clear away area in ground and lay supply wires into wireway slots.

6 Wire Connections



Strip two leads from fixture wires. Using two UL listed wire connectors (sold separately), connect leads from fixture wires to main supply cable leads.

Install/Replace Bulb

Please reverse Step 1 - Step 3 to expose the bulb and replace it with the correct wattage and type marked on the fixture label.

IMPORTANT: The Bulb must be protected from moisture and dust at all times. Always reinstall the lens when removed.

AMP[®] Lighting

Help Hotline:

1-813-978-3900 • Mon-Fri 9am-6pm (EST)

Specifications and product details subject to change without notice.
© Copyright 2022, AMP[®] Lighting, Lutz FL USA 33549 • All rights reserved.
customersupport@amplighting.com • 813.978.3900

www.amplighting.com

IS-APL-3034-B-BZ-ver1.pdf