

INSTALLATION & MAINTENANCE GUIDE

AMP[®] Lighting

AMP[®] Solar Landscape Lighting

AMP[®] Solar Spotlight Kit

ASAL-1027-25-B-BZ

Help Hotline:

1-813-978-3900 • Mon-Fri 9am-6pm (EST)

www.amplighting.com



Important Safety Instructions: Read Before Installation

This luminaire is intended for installation in accordance with local codes and the National Electric Code (NEC). Failure to adhere to these codes and instructions may result in serious injury, property damage and void the warranty.

These instructions do not intend to cover all variations in installation, operation maintenance or mounting situations.



Important Safety Instructions

INSTRUCTIONS PERTAINING TO A RISK OF FIRE, OR INJURY TO PERSONS Lighted lamp is HOT!

WARNING - To reduce the risk of FIRE OR INJURY TO PERSONS.

1. Lamp gets HOT quickly!
 2. Do not touch the hot lens, guard or enclosure.
 3. Keep lamp away from materials that may burn.
 4. Do not touch lamp at any time. Use a soft cloth. Oil from skin may damage lamp.
 5. Do not operate the luminaire fitting with a missing or damaged shield.
- SAVE THESE INSTRUCTIONS

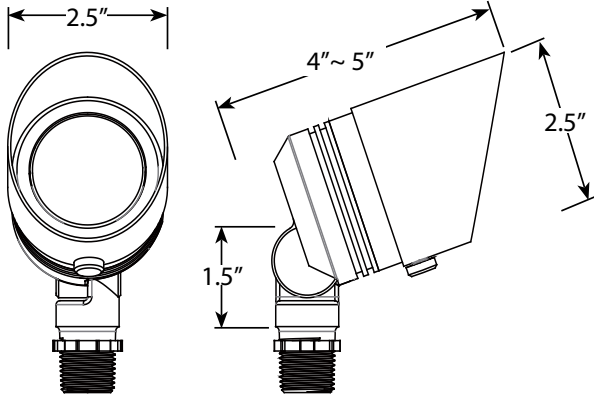
Package Contents

- A. (1) Spot Light

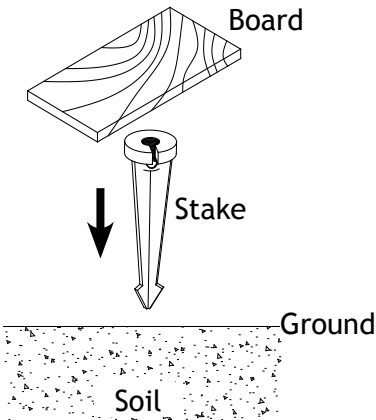
Package Contents

- A. (1) Solar Panel with Bracket

Product Dimensions



1 Install Stake

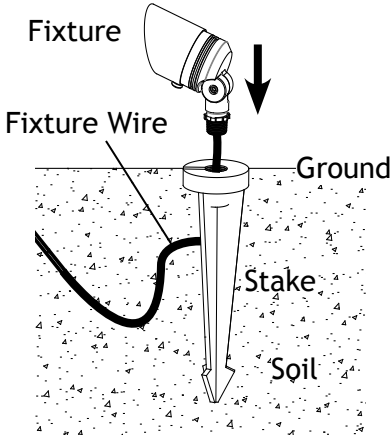


Determine the desired location for mounting the stake mount. Hammer the stake into the ground until flange of stake is flush to grade. To avoid damage to the stake, place a board on top of the stake while hammering.

Note: If the ground is hard and the stake is difficult to install, make a crosscut in the ground using a flat shovel.

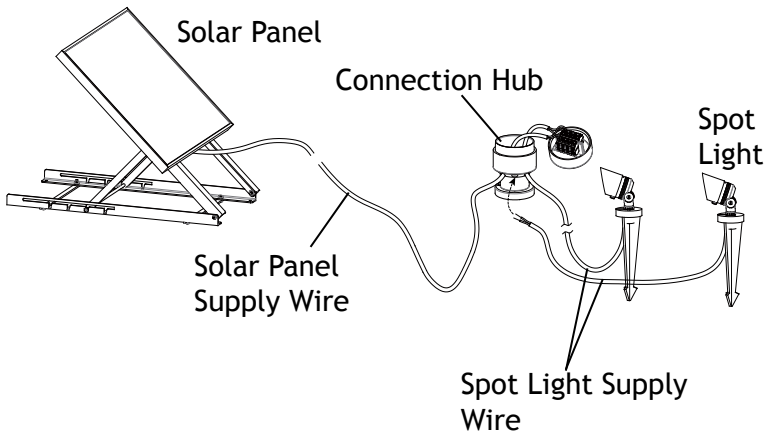
AMP® AMP® Solar Spotlight Kit ASAL-1027-25-B-BZ

2 Install Fixture to Stake



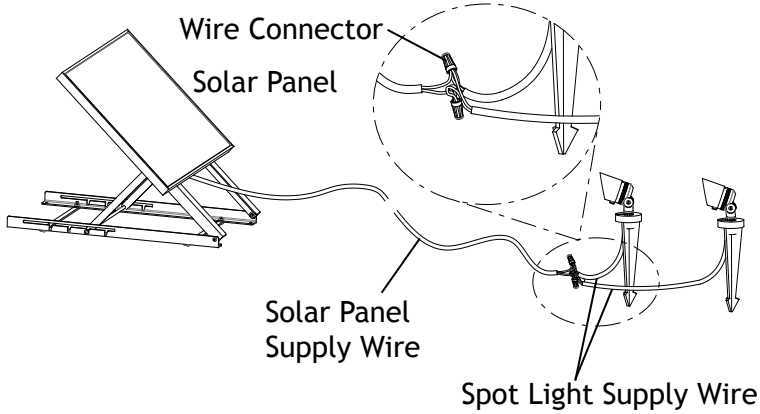
Pass the fixture wire through the center opening of the stake. Thread the fixture onto the stake. Hand tighten until snug.

3 Wire Connection: Option A (Recommended)



Optional A: Connect with Connection Hub

3 Wire Connection: Option B



Optional B: Connect with Wire Connectors

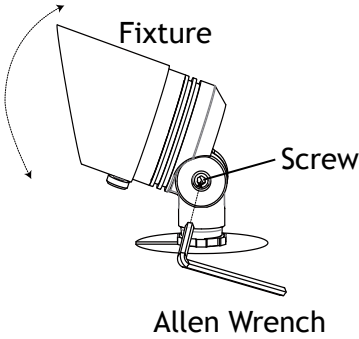
You can choose from Option A or Option B to complete the installation. Option A is the recommended method to install the solar lights.

Optional A: Strip the supply wire leads from the solar panel and the supply wire leads from the spot lights. Insert both the lead wires into the connection hub. There is a maximum of 7 fixtures that can be connected to the hub.

Optional B: Strip the supply wire leads from the solar panel and the supply wire leads from the spot light. Using two wire connectors (sold separately), connect the leads from the solar panel to the spot light.



4 Adjust Fixture Direction



Using the Allen wrench, loosen the screw on the knuckle and adjust the fixture to your desired direction. Once your direction is achieved, tighten the screw until snug.

AMP[®] Lighting

Help Hotline:

1-813-978-3900 • Mon-Fri 9am-6pm (EST)

Specifications and product details subject to change without notice.
© Copyright 2020, AMP[®] Lighting, Lutz FL USA 33549 • All rights reserved.
customersupport@amplighting.com • 813.978.3900

www.amplighting.com

IS-ASAL-1027-25-B-BZ-ver1.pdf