

INSTALLATION & MAINTENANCE GUIDE

AMP[®] Lighting

AMP[®] Solar Landscape Lighting

AMP[®] Solar LED Deck Light (Black)

ASDL-2014-P-BK

Help Hotline:

1-813-978-3900 • Mon-Fri 9am-6pm (EST)

www.amplighting.com



! Important Safety Instructions: Read Before Installation

This luminaire is intended for installation in accordance with local codes and the National Electric Code (NEC). Failure to adhere to these codes and instructions may result in serious injury, property damage and void the warranty.

These instructions do not intend to cover all variations in installation, operation maintenance or mounting situations.

Please note that these solar fixtures are equipped with built-in photocells, so they will not turn on until it is dark enough. These fixtures will also require plenty of sunlight to function properly. It's best to have the fixture in an area where the sun will get to it at all times throughout the day and where no ambient lighting will affect the photocell at night. If your fixture is not functioning at night, be sure that the on/off button has been engaged. See step one for details.

! Important Safety Instructions

INSTRUCTIONS PERTAINING TO A RISK OF FIRE, OR INJURY TO PERSONS
Lighted lamp is HOT!

WARNING - To reduce the risk of FIRE OR INJURY TO PERSONS.

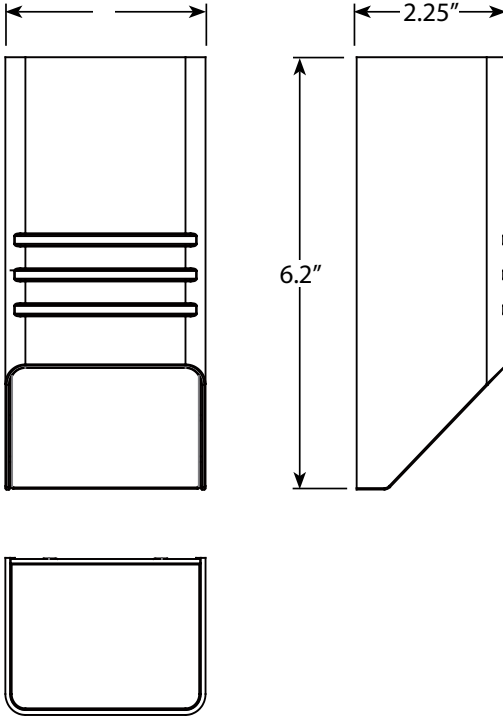
1. Lamp gets HOT quickly!
2. Do not touch the hot lens, guard or enclosure.
3. Keep lamp away from materials that may burn.
4. Do not touch lamp at any time. Use a soft cloth. Oil from skin may damage lamp.
5. Do not operate the luminaire fitting with a missing or damaged shield.

SAVE THESE INSTRUCTIONS

Package Contents

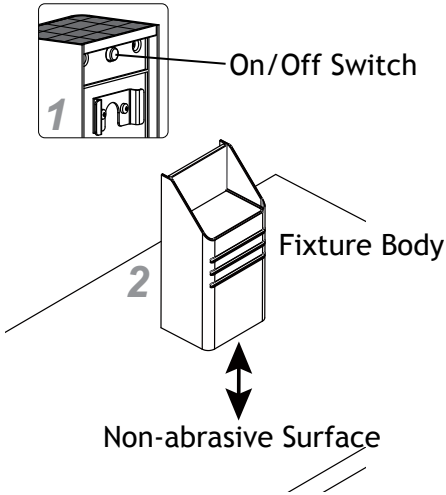
- A. (1) Fixture Body
- B. (1) Mounting Bracket
- C. (2) Screws
- D. (2) Wall Anchors

Product Dimensions



AMP® AMP® Solar LED Deck Light (Black) ASDL-2014-P-BK

1 Test Solar Light



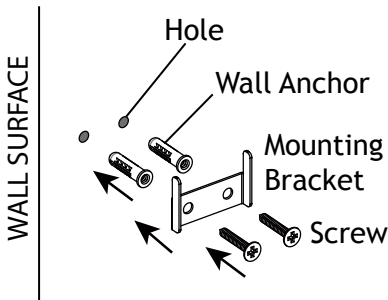
Press the ON/OFF switch on the back of the fixture body. Place the solar light on a non-abrasive surface with the solar panel against the surface to test the fixture.

There will be a short delay for the fixture to light up. The fixture will light up when the solar panel is covered and turn back off when it is uncovered.

Now you can proceed to next steps of installations knowing the fixture is in ON mode.

2 Install Mounting Bracket

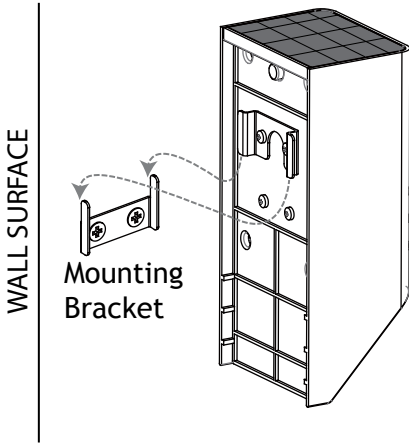
NOTE: These deck lights need to be mounted in a place where there is plenty of sunlight.



1. Place the mounting bracket onto the desired location and mark two points on the wall for the wall anchors.
2. Remove the mounting bracket. Drill the proper holes on the marks for the wall anchors by using an electrical drill.
3. Push the wall anchors into the drilled holes.
4. Attach the mounting bracket onto the wall anchors and secure with the screws. Tighten until snug with a screwdriver.

AMP[®] AMP[®] Solar LED Deck Light (Black) ASDL-2014-P-BK

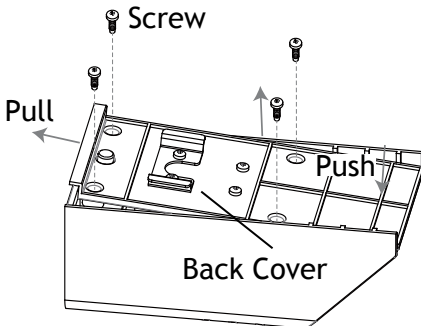
3 Place Fixture Body on to Mounting Bracket



Attach the bracket on the back of the luminaire to the mounting bracket on the wall.

How to Replace Battery

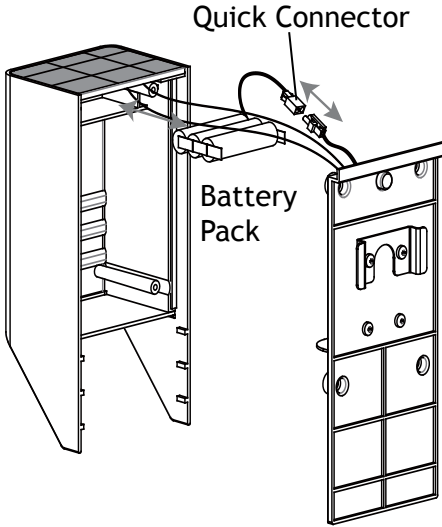
1 Remove the back cover



Using a screwdriver, remove screws from the fixture body. Push on the bottom of the back cover to remove it off of the fixture body.

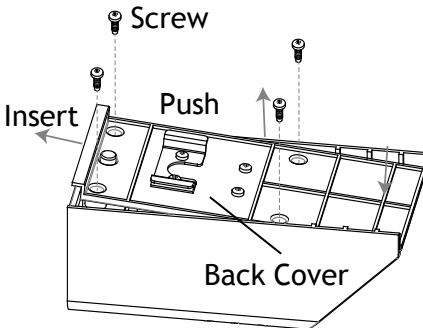


2 Replace Battery Pack



1. Disconnect the quick connector.
2. Remove the battery pack out of the solar panel box and replace it with a new one.
3. Connect the quick connector to the new battery pack.

3 Reinstall the Back Cover



Insert the back cover onto the fixture body and secure with previously removed screws. Tighten until snug with a screw driver.

AMP[®] Lighting

Help Hotline:

1-813-978-3900 • Mon-Fri 9am-6pm (EST)

Specifications and product details subject to change without notice.
© Copyright 2020, AMP[®] Lighting, Lutz FL USA 33549 • All rights reserved.
customersupport@amplighting.com • 813.978.3900

www.amplighting.com

IS-ASDL-2014-P-BK-ver4.pdf