

## INSTALLATION & MAINTENANCE GUIDE

**AMP<sup>®</sup>** Lighting

AMP<sup>®</sup> Solar Landscape Lighting

AMP<sup>®</sup> Solar LED Brass Dock Light

ASDL-2016-B-BZ

Help Hotline:

1-813-978-3900 • Mon-Fri 9am-6pm (EST)

[www.amplighting.com](http://www.amplighting.com)



**! Important Safety Instructions: Read Before Installation**

This luminaire is intended for installation in accordance with local codes and the National Electric Code (NEC). Failure to adhere to these codes and instructions may result in serious injury, property damage and void the warranty.

These instructions do not intend to cover all variations in installation, operation maintenance or mounting situations.

Please note these solar fixtures are equipped with built-in photocells and they will not turn on until it is dark enough. These fixtures will also require plenty of sunlight to function properly. It's best to have the fixture in an area where the sun can reach it throughout the day and where no ambient light will affect the photocell at night. If your fixture is not functioning at night, confirm that the fixture is turned on. See step one for details.

**! Important Safety Instructions**

**INSTRUCTIONS PERTAINING TO A RISK OF FIRE, OR INJURY TO PERSONS**  
**Lighted lamp is HOT!**

WARNING - To reduce the risk of FIRE OR INJURY TO PERSONS.

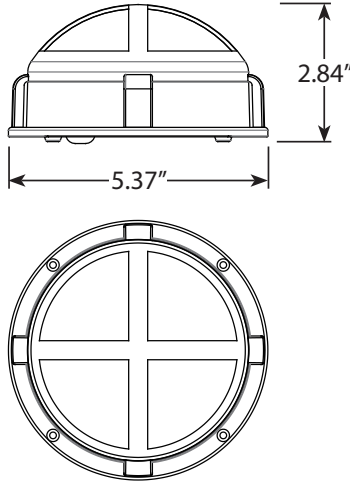
1. Lamp gets HOT quickly!
2. Do not touch the hot lens, guard or enclosure.
3. Keep lamp away from materials that may burn.
4. Do not touch lamp at any time. Use a soft cloth. Oil from skin may damage lamp.
5. Do not operate the luminaire fitting with a missing or damaged shield.

**SAVE THESE INSTRUCTIONS**

## Package Contents

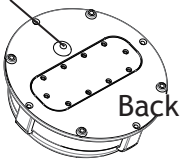
- A. (1) Fixture Body
- B. (6) Colored Strips (2 Amber, 2 Blue and 2 Red)
- C. (4) Screws
- D. (4) Wall Anchors

## Product Dimensions



## 1 Test Solar Light

On/Off Switch



Dark Material



To confirm the solar dock light is on, press the ON/OFF switch located on the back of the luminaire. Then, place the solar light on a flat surface and cover the solar panel completely using a piece of dark material. The dock light will light up when the solar panel is covered and turn off when it is uncovered.

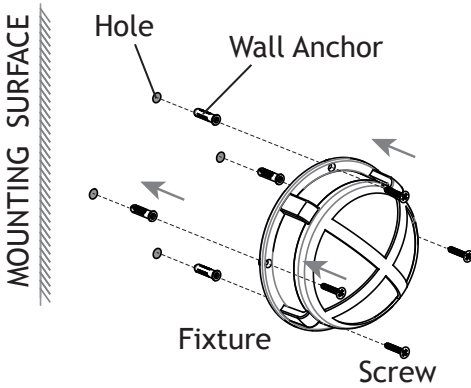
Proceed to the next step after the fixture is turned on.

Fixture Body



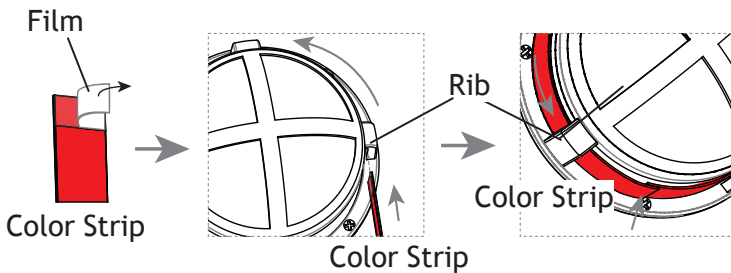
# AMP® AMP® Solar LED Brass Dock Light ASDL-2016-B-BZ

## 2 Install Fixture Body



1. Place the fixture onto the desired location and mark four points on the surface for the wall anchors.
2. Remove the fixture body. Using the marks on the wall as a guide, drill the proper holes required to mount the fixture.
3. Push the wall anchors into the drilled holes.
4. Attach the fixture onto the wall anchors using the screws. Tighten the screws with a screwdriver.

## 3 Install Color Strip

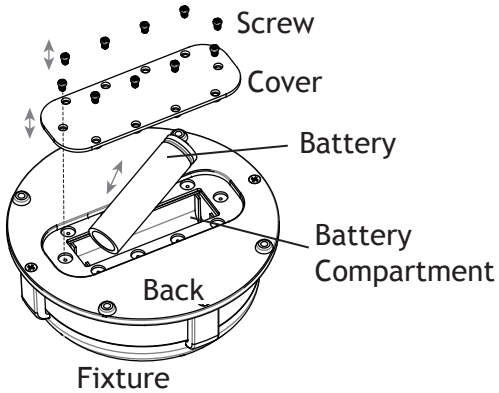


Note: You can pick a color strip of your choice, if you prefer to have a colored light output.

1. Remove the film on the end of the color strip.
2. Pass the color strip through the ribs around the luminaire.
3. Position the ends of the color strip behind one of the ribs to secure in place.

# AMP<sup>®</sup> AMP<sup>®</sup> Solar LED Brass Dock Light ASDL-2016-B-BZ

## How to Replace Battery



1. Using a screwdriver, remove the screws from the cover on the back of the fixture.
2. Remove the cover.
3. Remove the battery out of the battery compartment and replace it with a new one.
4. Attach the cover back onto the fixture and secure with previously removed screws.



AMP® Solar LED Brass Dock Light  
ASDL-2016-B-BZ



AMP® Solar LED Brass Dock Light  
ASDL-2016-B-BZ



**Help Hotline:**

**1-813-978-3900 • Mon-Fri 9am-6pm (EST)**

Specifications and product details subject to change without notice.  
© Copyright 2021, AMP® Lighting, Lutz FL USA 33549 • All rights reserved.  
customersupport@amplighting.com • 813.978.3900

**[www.amplighting.com](http://www.amplighting.com)**

IS-ASDL-2016-B-BZ-ver2.pdf