

## INSTALLATION & MAINTENANCE GUIDE

**AMP**<sup>®</sup> Lighting

AMP<sup>®</sup> Low Voltage Landscape Lighting

AMP<sup>®</sup> Path & Area Light Stem

ASM-2407 & ASM-1203

Help Hotline:

1-813-978-3900 • Mon-Fri 9am-6pm (EST)

[www.amplighting.com](http://www.amplighting.com)

 **Important Safety Instructions: Read Before Installation**

This luminaire is intended for installation in accordance with local codes and the National Electric Code (NEC). Failure to adhere to these codes and instructions may result in serious injury, property damage and void the warranty.

These instructions do not intend to cover all variations in installation, operation maintenance or mounting situations.

1. Make sure that the power is turned OFF before installing or servicing this luminaire.
2. Warning: risk of electrical shock. Install all luminaires 10 feet (3.05M) or more from pool, spa or fountain.
3. This luminaire is intended to be used only with a power supply (transformer) rated maximum of 300 watts (25 AMPS) at 15 volts.
4. Wiring connections must be made with UL listed wire connectors that are suitable for outdoor use.
5. Position the low voltage wire and wire connector so that it is located within 6 inches (15.2 cm) from a building structure, a luminaire, or fitting.
6. The main low voltage cable is intended for shallow burial - less than 6 inches (152 mm).
7. If additional lengths of low voltage cable are required, please contact [www.amplighting.com](http://www.amplighting.com) or call 1-813-978-3900.

**SAVE THESE INSTRUCTIONS**

 **Important Safety Instructions: Read Before Installation**

**LIGHTED LAMP IS HOT!**

**WARNING - TO REDUCE THE RISK OF FIRE OR INJURY TO PERSONS.**

1. Turn off/unplug and allow to cool before reducing lamp.
2. Lamp gets HOT quickly!
3. Do not touch the hot lens, guard or cowl.
4. Keep lamp away from materials that may burn.
5. Do not touch lamp at any time.
6. Use a soft cloth.
7. Oil from skin may damage lamp.
8. Do not operate the fixture with a damaged or missing lens or shield.

## Package Contents

A. (1) Stem

## Parts Required (sold separately)

A. (1) Hat

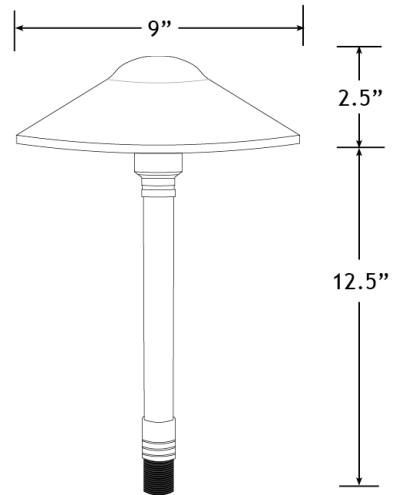
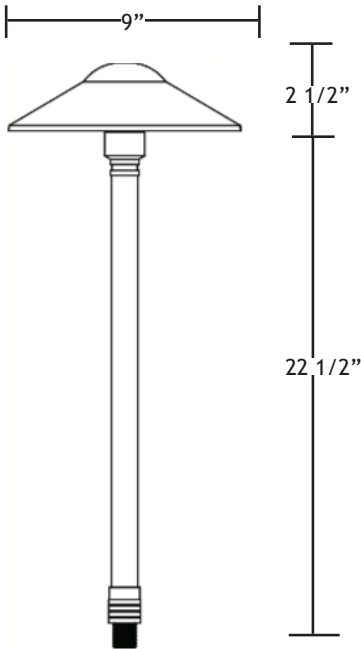
C. Stake

B. (1) Bulb

## Product Dimensions

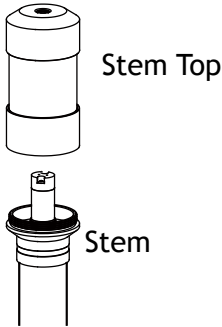
*Magnum Hat Pictured Here on  
Standard stem*

*Magnum Hat Pictured Here on  
Mini stem*



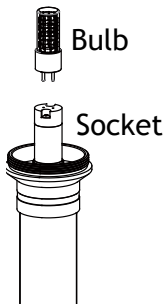


## 1 Remove Stem Top



Loosen the stem top and remove it from the stem.

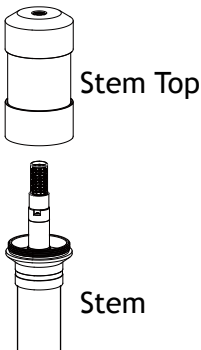
## 2 Install Bulb



Insert the bulb with the correct wattage and type marked on the fixture label and push firmly into place.

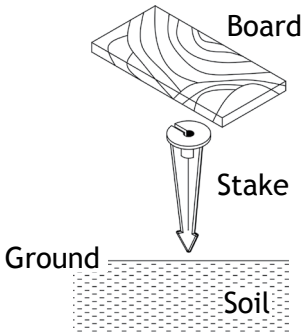
**CAUTION:** Do not exceed maximum wattage marked on luminaire label.

## 3 Install Stem Top



Place the stem top over the bulb and thread the stem top onto the stem. Hand tighten until snug.

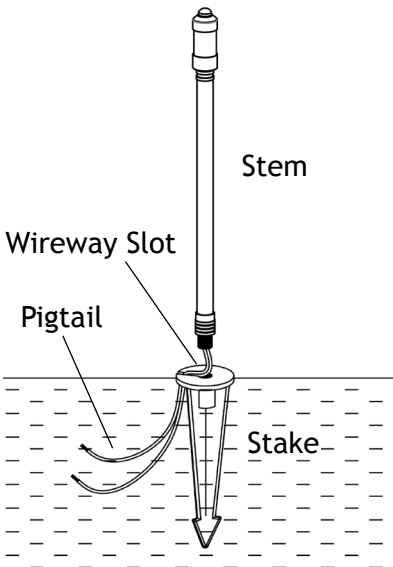
## 4 Install Stake



Determine the desired location for mounting the fixture. Hammer the stake into the ground until the flange of the stake is flush to grade. To avoid damage to the stake, place a board on top of the stake while hammering.

**NOTE:** If the ground is hard and the stake is difficult to install, make a crosscut in the ground using a flat shovel.

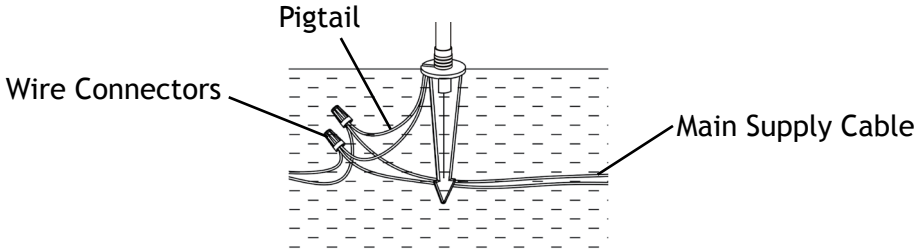
## 5 Install Stem to Stake



Clear away an area in the ground at the wireway slot on the top of the stake. Lay the luminaire pigtail into the wireway slot and attach the stem onto the stake. Tighten until snug.

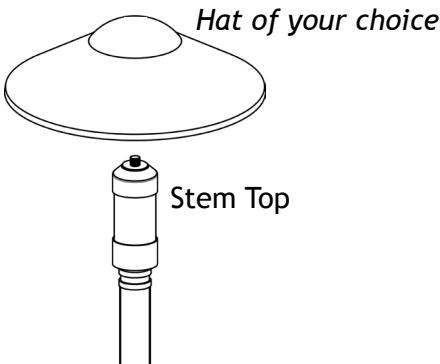
# AMP<sup>®</sup> Path & Area Light Stem ASM-2407 & ASM-1203

## 6 Wire Connection



Strip both leads from the luminaire pigtail. Using two wire connectors (sold separately), connect the leads from the luminaire to the main supply cable leads.

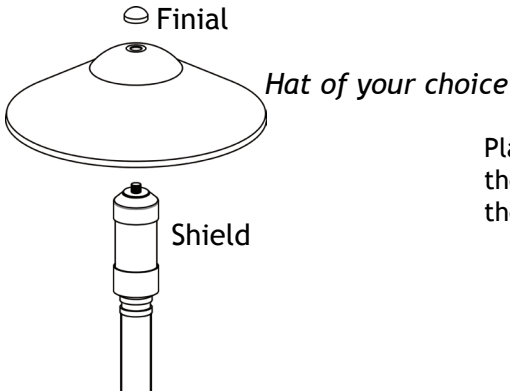
## 7 Install Cast Brass Hat to Stem (Option A)



Thread the hat of your choice onto the stem top. Hand tighten until snug.

**Note:** For Cast Brass AMP<sup>®</sup> hats you will not need a finial to install the hat. You will screw the hat directly to the top of the stem.

## 8 Install Spun Brass Hat to Stem (Option B)



Place the hat of your choice onto the stem top and secure it with the finial. Hand tighten until snug.

## Install/Replace Bulb

Remove the hat and stem top to expose the bulb. Replace it with the correct wattage and type marked on the fixture label. Then, reinstall the stem top and hat.

**IMPORTANT:** Bulbs must be protected from moisture and dust at all times. Always reinstall the stem top and hat when removed.

**AMP**<sup>®</sup> Lighting

**Help Hotline:**

**1-813-978-3900 • Mon-Fri 9am-6pm (EST)**

Specifications and product details subject to change without notice.  
© Copyright 2019, AMP<sup>®</sup> Lighting, Lutz FL USA 33549 • All rights reserved.  
customersupport@amplighting.com • 813.978.3900

**[www.amplighting.com](http://www.amplighting.com)**

IS-ASM-2407/1203-ver3.pdf