

## INSTALLATION & MAINTENANCE GUIDE

**AMP**<sup>®</sup> Lighting

AMP<sup>®</sup> Line Voltage Landscape Lighting  
AMP<sup>®</sup> Estate Size Path & Area Lights  
3602 Series

Help Hotline:

1-813-978-3900 • Mon-Fri 9am-6pm (EST)

[www.amplighting.com](http://www.amplighting.com)



## Important Safety Instructions: Read Before Installation

This luminaire is intended for installation in accordance with local codes and the National Electric Code (NEC). Failure to adhere to these codes and instructions may result in serious injury, property damage and void the warranty.

These instructions do not intend to cover all variations in installation, operation maintenance or mounting situations.

1. Make sure the power is turned OFF before installing or servicing this luminaire.
2. **WARNING:** risk of electrical shock. Install all luminaires 10 feet (3.05M) or more from pool, spa or fountain.
3. This luminaire is intended to be used only with a power supply (transformer) rated maximum of 300 watts (25 AMPS) at 15 volts.
4. Wiring connections must be made with UL listed wire connectors that are suitable for outdoor use.
5. Position the low voltage wire and wire connector so that it is located within 6 inches (15.2 cm) from a building structure, a luminaire or fitting.
6. The main low voltage cable is intended for shallow burial - less than 6 inches (152 mm).
7. If additional lengths of low voltage cable are required, please contact [www.amplighting.com](http://www.amplighting.com) or call 1-813-978-3900.



## Important Safety Instructions

### INSTRUCTIONS PERTAINING TO A RISK OF FIRE, OR INJURY TO PERSONS

#### Lighted lamp is HOT!

**WARNING** - To reduce the risk of FIRE OR INJURY TO PERSONS.

1. Turn off/unplug and allow to cool before replacing lamp.
2. Lamp gets HOT quickly! Contact only switch/plug when turning on.
3. Do not touch the hot lens, guard or enclosure.
4. Keep lamp away from materials that may burn.
5. Do not touch lamp at any time. Use a soft cloth. Oil from skin may damage lamp.
6. Do not operate the luminaire fitting with a missing or damaged shield.

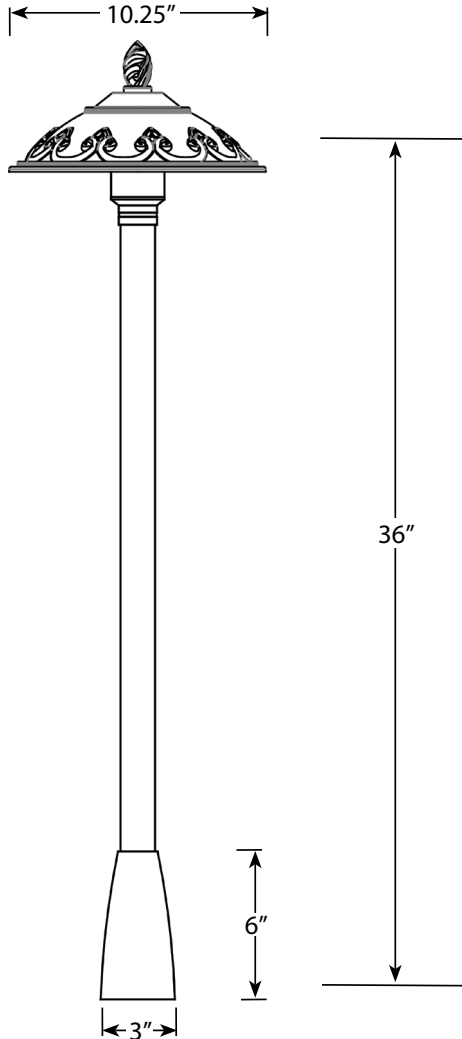
SAVE THESE INSTRUCTIONS

Package Contents

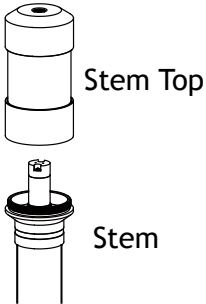
A. (1) Fixture Body

Product Dimensions

*Estate Size Hat featured  
on Estate Size Line  
Voltage Stem*

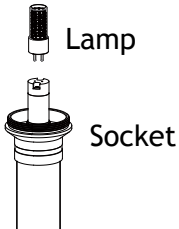


## 1 Remove Stem Top



Loosen the stem top and remove it from the top end of the stem.

## 2 Install Lamp

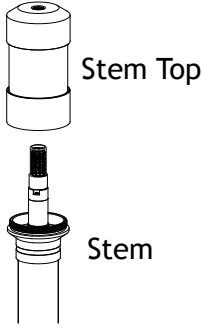


Insert the lamp with the correct wattage and type marked on the fixture label and push firmly into place.

**CAUTION:** Do not exceed maximum wattage marked on luminaire label.

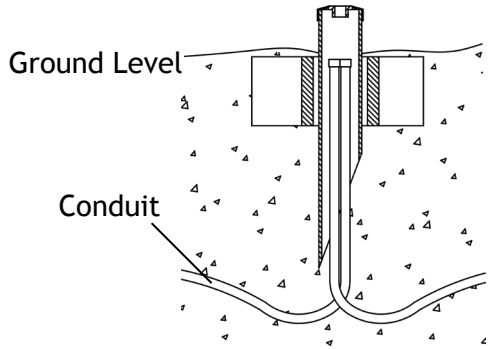
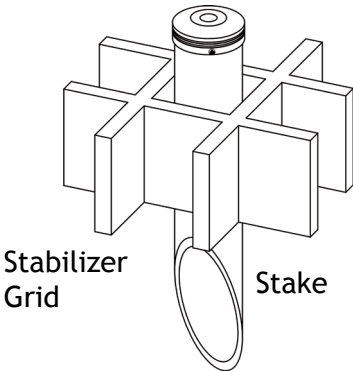
# AMP<sup>®</sup> AMP<sup>®</sup> Estate Size Path & Area Lights 3602 Series

## 3 Install Stem Top



Thread the stem top onto the stem and hand tighten until snug.

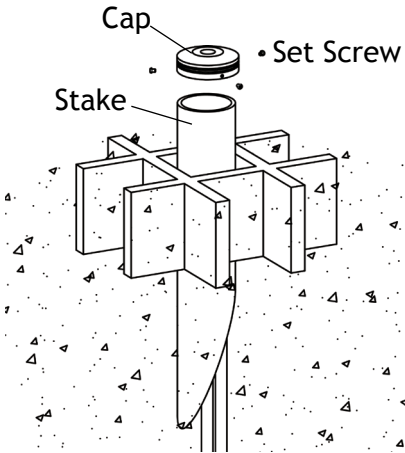
## 4 Install Stake and Conduit



Dig a hole in the ground for the conduit runs and the stake. Install the conduit. Slide the stabilizer grid onto the stake and secure with the screws. Place the stake over the conduit runs then backfill against the mounting stake.

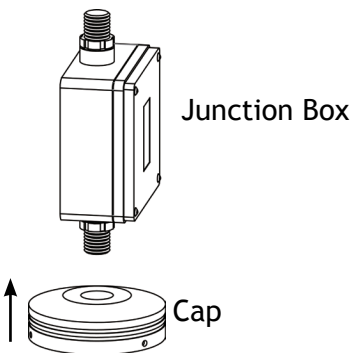


**5** Remove Cap from Stake



Remove the cap from the stake by loosening the set screws.

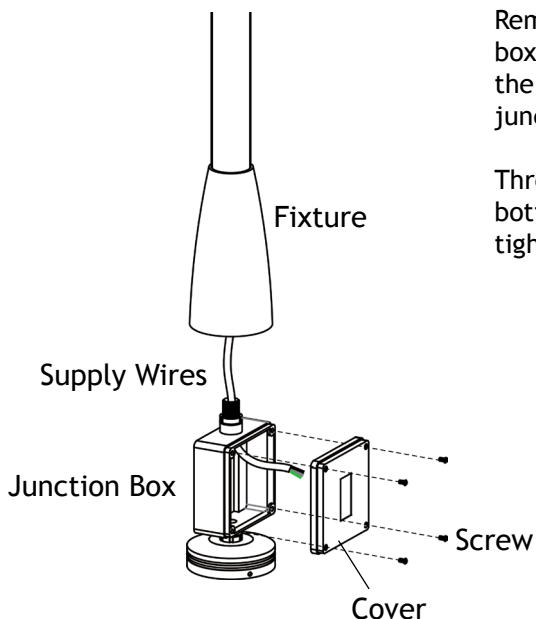
**6** Install Cap to Junction Box



Thread the cap onto the Junction Box.

\* Junction Box is not provided

## 7 Install Fixture to Junction Box

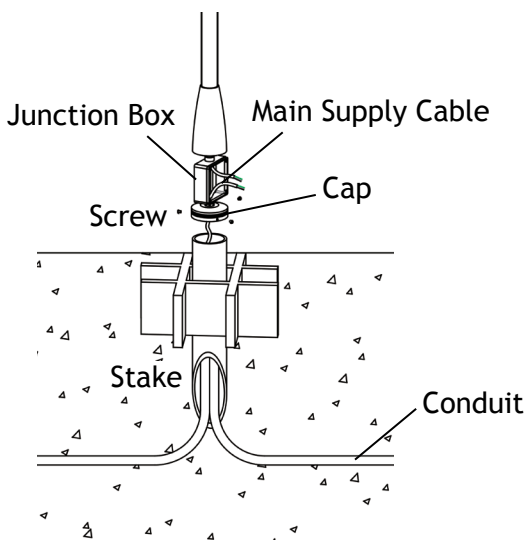


Remove the cover from the junction box by loosening the screws. Place the fixture supply wires into the junction box.

Thread the junction box onto the bottom of the fixture and hand tighten until snug.

\* Junction Box is not provided\*

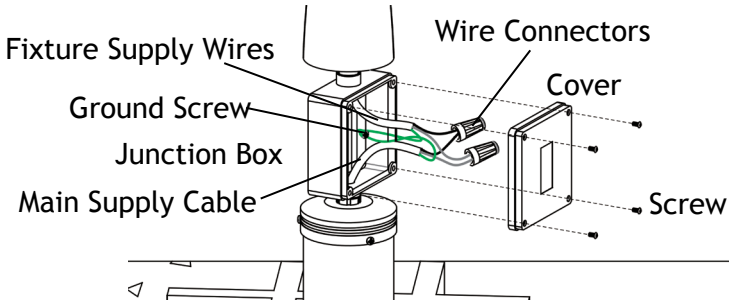
## 8 Install Junction Box to Stake



Pass the main supply cable into the junction box. Place the cap back onto the stake and secure with the previously removed screws. Tighten until snug with a screwdriver.

\* Junction Box is not provided

**9** Wire Connection



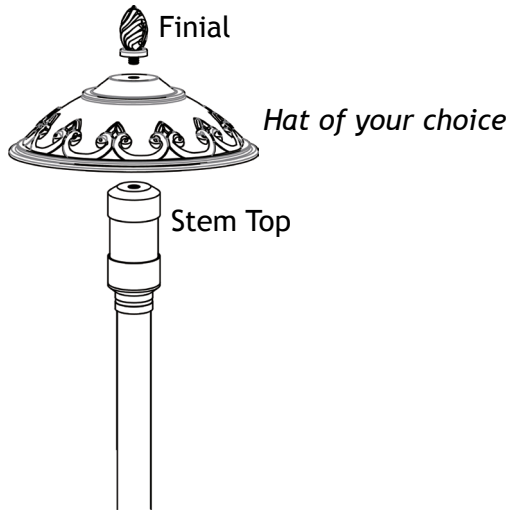
Strip the leads from the fixture supply wire and main supply cable. Using wire connectors (sold separately), connect the leads from the fixture supply wire to the main supply cable leads. Then, connect the ground wires to the ground screw in the junction box.

After wiring, carefully tuck the slack wires into the junction box. Attach the cover back onto the junction box and secure with the previously removed screws. Bury conduits and junction box.

\* Junction Box is not provided



## 9 Install Hat



Place the hat onto the stem top and secure it with the finial, or thread the hat onto the stem top directly. Hand tighten until snug.

## Install/Replace Lamp

Remove the finial, hat and stem top to expose the lamp and replace it with the correct wattage and type marked on the fixture label. Then, reinstall the stem top, hat and finial.

**IMPORTANT:** Lamps must be protected from moisture and dust at all times. Always reinstall the stem top and hat when removed.





**AMP**<sup>®</sup> Lighting

**Help Hotline:**

**1-813-978-3900 • Mon-Fri 9am-6pm (EST)**

Specifications and product details subject to change without notice.  
© Copyright 2019, AMP<sup>®</sup> Lighting, Lutz FL USA 33549 • All rights reserved.  
customersupport@amplighting.com • 813.978.3900

**[www.amplighting.com](http://www.amplighting.com)**

IS-ASM-3602-L-BBZ-ver1.pdf