

## INSTALLATION & MAINTENANCE GUIDE

**AMP<sup>®</sup>** Lighting

AMP<sup>®</sup> Low Voltage Landscape Lighting

AMP<sup>®</sup> Solarium Brass LED Flame Path Light

ASPL-3030-B-BZ

**Help Hotline:**

1-813-978-3900 • Mon-Fri 9am-6pm (EST)

[www.amplighting.com](http://www.amplighting.com)



 **Important Safety Instructions: Read Before Installation**

This luminaire is intended for installation in accordance with local codes and the National Electric Code (NEC). Failure to adhere to these codes and instructions may result in serious injury, property damage and void the warranty.

These instructions do not intend to cover all variations in installation, operation maintenance or mounting situations.

Please note that these solar fixtures are equipped with built-in photocells, so they will not turn on until it is dark enough. These fixtures will also require plenty of sunlight to function properly. It's best to have the fixture in an area where the sun will get to it at all times throughout the day and where no ambient lighting will affect the photocell at night. If your fixture is not functioning at night, be sure that the on/off button has been engaged. See step one for details.

 **Important Safety Instructions**

**INSTRUCTIONS PERTAINING TO A RISK OF FIRE, OR INJURY TO PERSONS**  
**Lighted lamp is HOT!**

WARNING - To reduce the risk of FIRE OR INJURY TO PERSONS.

1. Turn off/unplug and allow to cool before replacing lamp.
2. Lamp gets HOT quickly!
3. Do not touch the hot lens, guard or enclosure.
4. Keep lamp away from materials that may burn.
5. Do not touch lamp at any time. Use a soft cloth. Oil from skin may damage lamp.
6. Do not operate the luminaire fitting with a missing or damaged shield.

SAVE THESE INSTRUCTIONS

## Package Contents

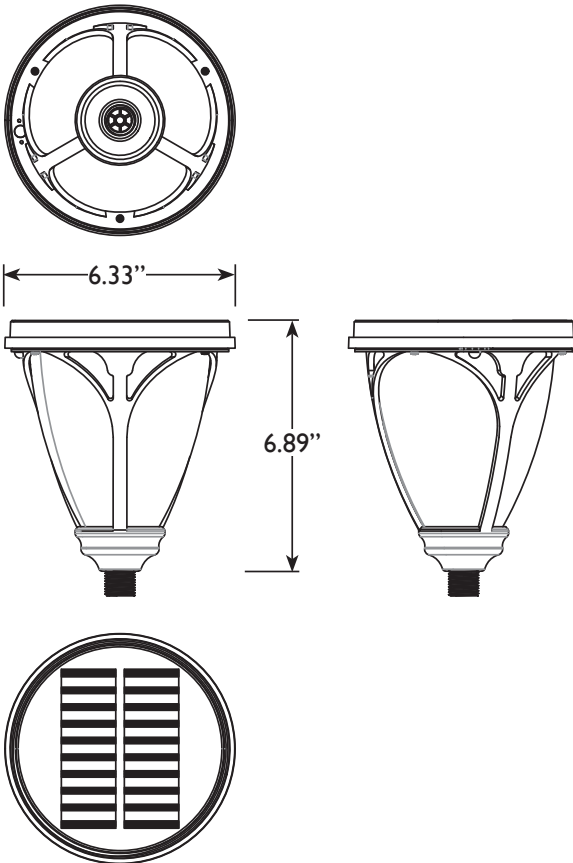
- A. (1) Fixture Body
- B. (1) Flame LED Lamp

- C. (1) 12" Stem

## Package Contents

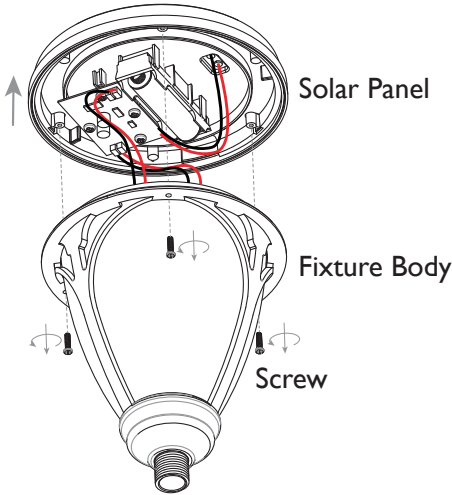
- A. Mounting Accessory

## Product Dimensions



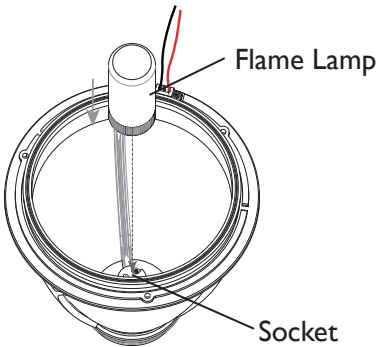
# AMP® AMP® Solarium Brass LED Flame Path Light ASPL-3030-B-BZ

## 1 Remove Solar Panel



Using a screwdriver, loosen the screws to carefully remove the solar panel from the fixture body to avoid disconnecting the wires.

## 2 Install Flame Lamp

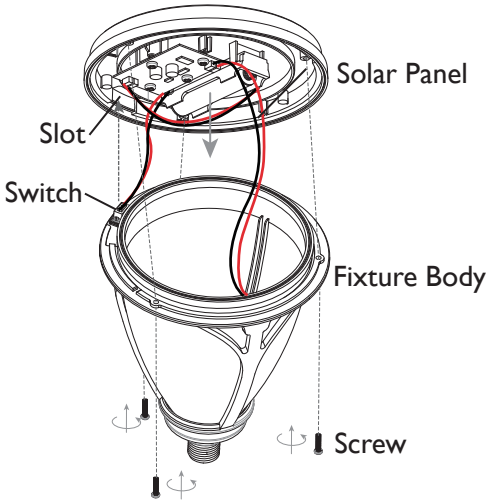


Use flame lamp with correct wattage and type marked on fixture label.

Align the pins in the bottom of the flame lamp to holes on the socket and push the flame lamp into the socket properly.

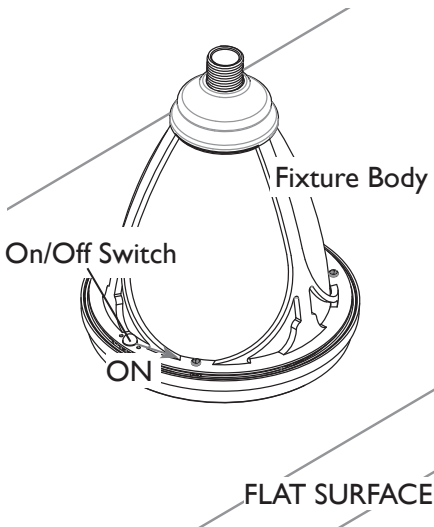
**CAUTION:** Do not exceed maximum wattage marked on luminaire label.

### 3 Install Solar Panel



Align the switch to the slot on the solar panel and place the solar panel back onto the fixture body. Secure them together with previously removed screws. Hand tighten until snug with a screwdriver.

### 4 Test Solar Light

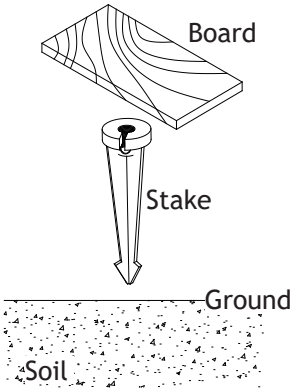


Place the solar panel of the fixture onto a flat opaque working surface. Push the switch on the flange "ON" to test the light source. The lights will turn on while the switch is on.

Now you can proceed to the next steps of installation knowing the fixture is in ON mode.

# AMP® AMP® Solarium Brass LED Flame Path Light ASPL-3030-B-BZ

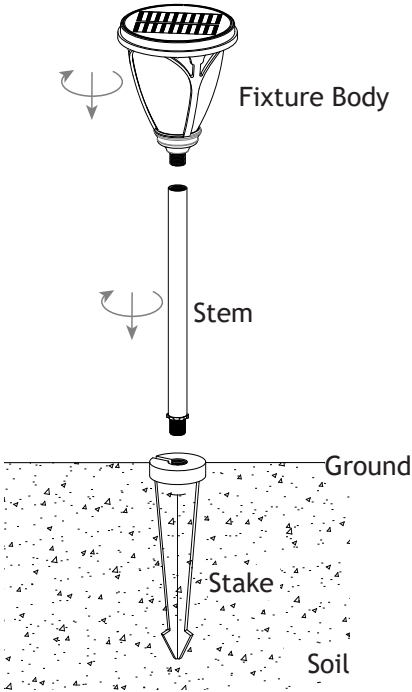
## 5 Install Stake



Determine the desired location for mounting the luminaire. Hammer the stake into the ground until flange of stake is flush to grade. To avoid damage to the stake, place a board on top of the stake while hammering.

NOTE: If the ground is hard and the stake is difficult to install, make a crosscut in the ground using a flat shovel.

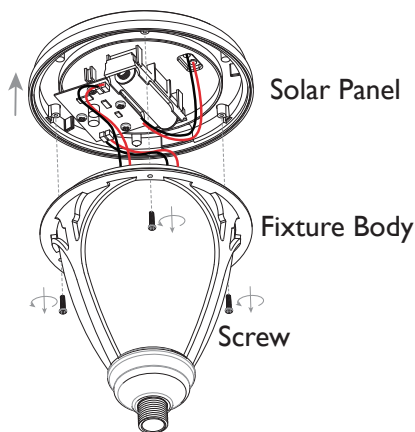
## 6 Install Fixture Body



Thread the fixture body and the stem onto the stake and hand tighten until snug.

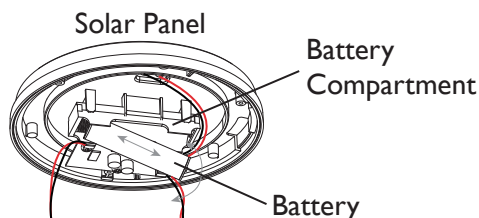
# How to Replace Battery

## 1 Remove Solar Panel



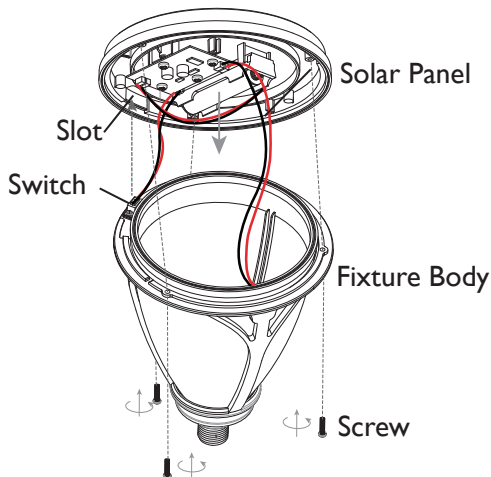
Using a screwdriver, loosen the screws to carefully remove the solar panel from the fixture body to avoid disconnecting the wires.

## 2 Replace Battery



Remove the battery out of the battery compartment and replace it with a new one.

## 3 Install Solar Panel



Align the switch to the slot on the solar panel and place the solar panel back onto the fixture body. Secure them together with previously removed screws. Hand tighten until snug with a screwdriver.

**AMP**<sup>®</sup> Lighting

**Help Hotline:**

**1-813-978-3900 • Mon-Fri 9am-6pm (EST)**

Specifications and product details subject to change without notice.  
© Copyright 2022, AMP<sup>®</sup> Lighting, Lutz FL USA 33549 • All rights reserved.  
customersupport@amplighting.com • 813.978.3900

**[www.amplighting.com](http://www.amplighting.com)**

IS-ASPL-3030-B-BZ-ver1.pdf