

INSTALLATION & MAINTENANCE GUIDE

AMP[®] Lighting

AMP[®] Low Voltage Landscape Lighting

AMP[®] ONE RGBW HydraPro™ Single Source LED Well Light (Dimmable)
AWL-5011IR-B-BZ

Help Hotline:

1-813-978-3900 • Mon-Fri 9am-6pm (EST)

www.amplighting.com



Important: Please Read Before Installation

This fixture is intended for installation in accordance with local codes and the National Electric Code (NEC). Failure to adhere to these codes and instructions may result in serious injury, property damage and void the warranty.

These instructions do not intend to cover all variations in installation, operation maintenance or mounting situations.

1. Make sure the power is turned OFF before installing or servicing this luminaire.
2. **WARNING:** risk of electrical shock. Install all luminaires 10 feet (3.05M) or more from pool, spa or fountain.
3. This luminaire is intended to be used only with a power supply (transformer) rated maximum of 300 watts (25 AMPS) at 15 volts.
4. Wiring connections must be made with UL listed wire connectors that are suitable for outdoor use.
5. Position the low voltage wire and wire connector so that it is located within 6 inches (15.2 cm) from a building structure, a luminaire or fitting.
6. The main low voltage cable is intended for shallow burial - less than 6 inches (152 mm).

Important Safety Instructions

INSTRUCTIONS PERTAINING TO A RISK OF FIRE, OR INJURY TO PERSONS Lighted lamp is HOT!

WARNING - To reduce the risk of FIRE OR INJURY TO PERSONS.

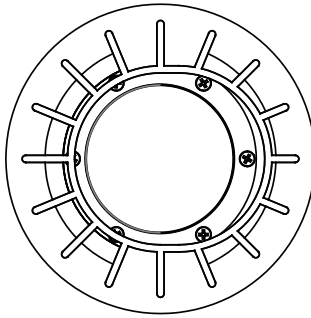
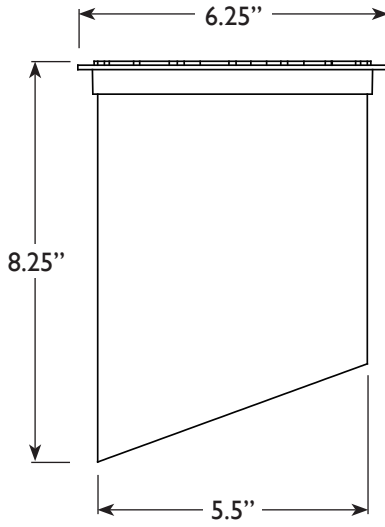
1. Turn off/unplug and allow to cool before replacing lamp.
2. Lamp gets HOT quickly! Contact only switch/plug when turning on.
3. Do not touch the hot lens, guard or enclosure.
4. Keep lamp away from materials that may burn.
5. Do not touch lamp at any time. Use a soft cloth. Oil from skin may damage lamp.
6. Do not operate the luminaire fitting with a missing or damaged shield.

SAVE THESE INSTRUCTIONS

Package Contents

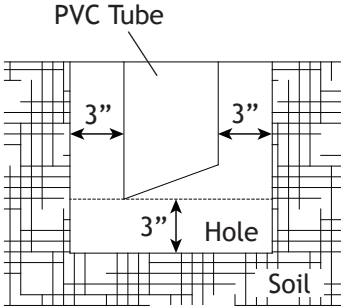
- A. (1) Fixture
- B. (1) PVC Tube

Product Dimensions



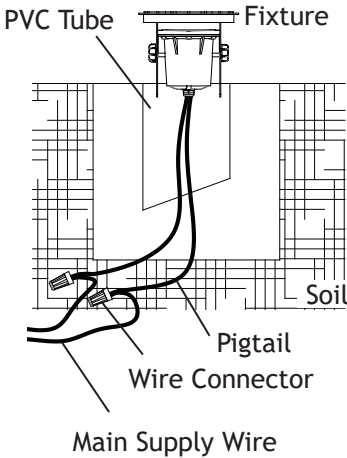
AMP® ONE RGBW HydraPro™ Single Source LED Well Light (Dimmable) AWL-5011IR-B-BZ

1 Dig Hole



Dig a hole in the ground. Make sure there is approximately 3 inches surrounding the PVC Tube for pea gravel or sand on all sides.

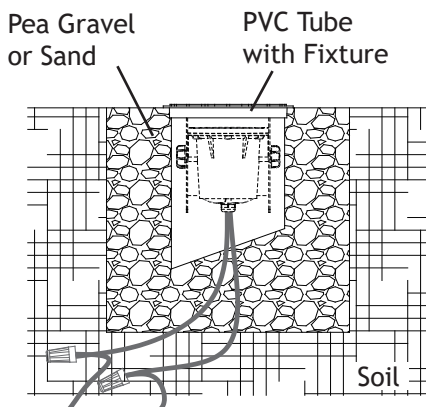
2 Wire Connection



Place the fixture into the PVC Tube and pass the luminaire pigtail through the PVC Tube.

Strip both leads from the luminaire pigtail. Using two wire connectors (sold separately), connect the leads from the luminaire to the main supply cable leads.

3 Fill Pea Gravel or Sand

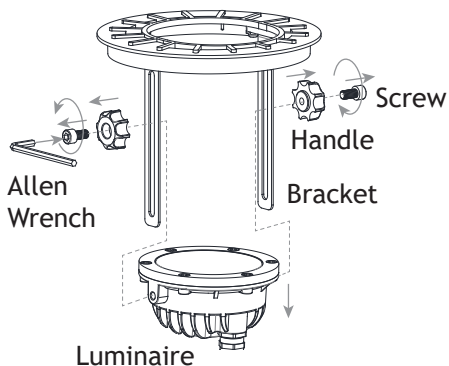


Install the PVC Tube with the fixture in the hole and fill around the fixture securing it in place with pea gravel or sand to allow for water drainage.

Now you can power on the system, and the light is 2700K and the optic is 60 degree as default.

Install/Replace Optic

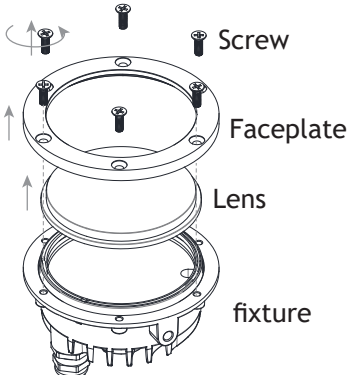
1 Remove Luminaire from bracket



By using the Allen wrench, loosen the screw in the handle and remove the luminaire from the bracket.

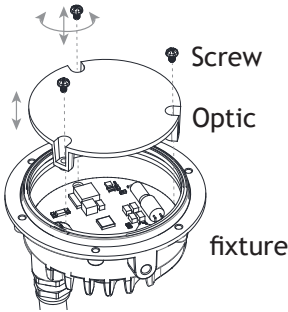


2 Remove Faceplate and Lens



Loosen all screws on the faceplate. Remove the faceplate and lens from the fixture.

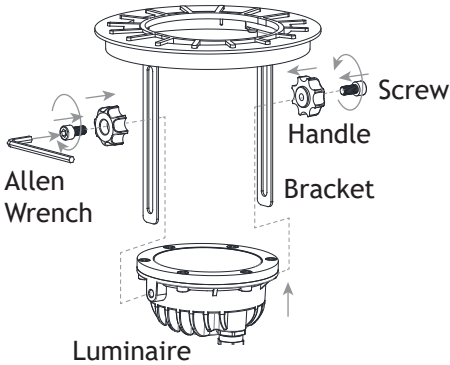
3 Replace Optic



Loosen the screws and remove the optic from the fixture.

Install the new optic in the fixture. Make sure that you have the optic properly aligned over the LED board before tightening down. Improper alignment when tightening the screws can cause the optic to break.

4 Reinstall Luminaire to Bracket

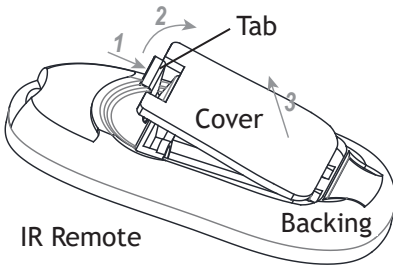


Place the luminaire between the brackets. Pass previously removed screws through the handle and bracket. Thread the screws back onto the luminaire. Hand tighten until snug with the Allen wrench.

IR Remote (Optional)

An IR Remote is optional for this fixture. The IR remote requires two AAA batteries.

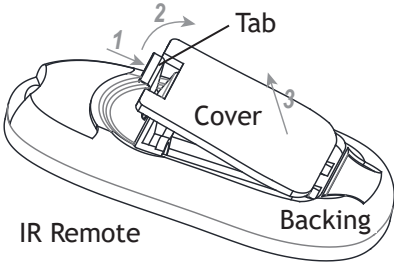
1 Remove the Battery Compartment Cover



Press the tab and rotate the battery compartment cover to remove it from the IR Remote.

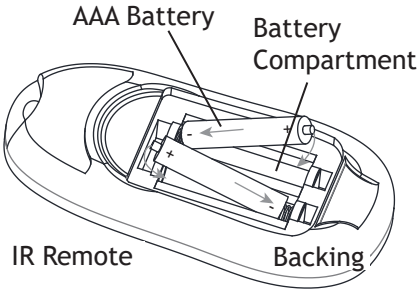


1 Remove the Battery Compartment Cover



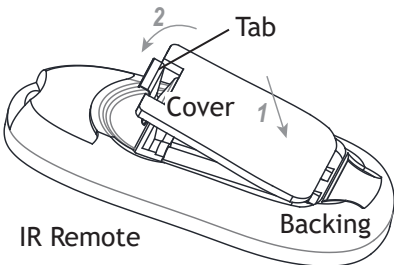
Press the tab and rotate the battery compartment cover to remove it from the IR Remote.

2 Install Two AAA Batteries



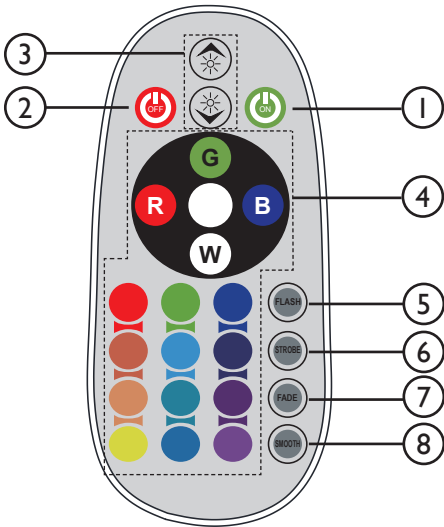
Place two AAA batteries into the battery compartment properly.

3 Install the Battery Compartment Cover



Place the battery compartment cover back onto the IR Remote.

4 IR Remote Functions



1. On
2. Off
3. Brightness Control
4. 16 color selections
5. Flash
 - A. Mode 1: Repeats Red, Green, Blue + color cycle for 1 second duration of each of the seven colors within this mode.
 - A. Mode 2: Hit flash a second time and this mode slowly blends the same seven colors from mode one, mixing them together.

6. Strobe

- A. Mode 1: Pick any color on the remote, then press strobe and that color will strobe every second alternating between on and off.
- A. Mode 2: Hit strobe a second time and this mode will strobe a blended white color at the same speed as before.

7. Fade

- A. Mode 1: Pick any color on the remote, then press fade and that color will slowly fade on and off every second.
- A. Mode 2: Hit fade a second time and it will fade a blended white color on and off at the same speed as before.

8. Smooth

- A. Mode 1: Repeats a flash cycle of Red, Green, and Blue only.
- A. Mode 2: Hit smooth a second time and this mode slowly blends Red, Green, and Blue only; on and off at the same speed.



AMP® ONE RGBW HydraPro™ Single Source LED Well Light (Dimmable)

AWL-5011IR-B-BZ

AMP[®] Lighting

Help Hotline:

1-813-978-3900 • Mon-Fri 9am-6pm (EST)

Specifications and product details subject to change without notice.
© Copyright 2022, AMP[®] Lighting, Lutz FL USA 33549 • All rights reserved.
customersupport@amplighting.com • 813.978.3900

www.amplighting.com