

INSTALLATION & MAINTENANCE GUIDE

AMP[®] Lighting

AMP[®] Low Voltage Landscape Lighting

AMP[®] ONE HydraPro[™] Well Light

AWL-712IR-BBZ (Dimmable)

Help Hotline:

1-813-978-3900 • Mon-Fri 9am-6pm (EST)

www.amplighting.com



Important Safety Instructions: Read Before Installation

This luminaire is intended for installation in accordance with local codes and the National Electric Code (NEC). Failure to adhere to these codes and instructions may result in serious injury, property damage and void the warranty.

These instructions do not intend to cover all variations in installation, operation maintenance or mounting situations.

1. Make sure the power is turned OFF before installing or servicing this luminaire.
2. **WARNING:** risk of electrical shock. Install all luminaires 10 feet (3.05M) or more from pool, spa or fountain.
3. This luminaire is intended to be used only with a power supply (transformer) rated maximum of 300 watts (25 AMPS) at 15 volts.
4. Wiring connections must be made with UL listed wire connectors that are suitable for outdoor use.
5. Position the low voltage wire and wire connector so that it is located within 6 inches (15.2 cm) from a building structure, a luminaire or fitting.
6. The main low voltage cable is intended for shallow burial - less than 6 inches (152 mm).

Important Safety Instructions

INSTRUCTIONS PERTAINING TO A RISK OF FIRE, OR INJURY TO PERSONS Lighted lamp is HOT!

WARNING - To reduce the risk of FIRE OR INJURY TO PERSONS.

1. Turn off/unplug and allow to cool before replacing lamp.
2. Lamp gets HOT quickly! Contact only switch/plug when turning on.
3. Do not touch the hot lens, guard or enclosure.
4. Keep lamp away from materials that may burn.
5. Do not touch lamp at any time. Use a soft cloth. Oil from skin may damage lamp.
6. Do not operate the luminaire fitting with a missing or damaged shield.

SAVE THESE INSTRUCTIONS

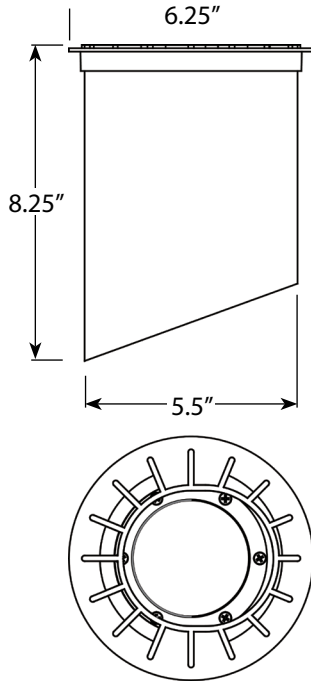
Package Contents

- A. (1) Fixture
- B. (1) PVC Tube

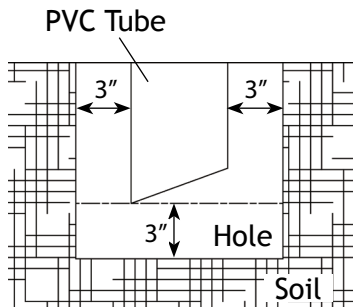
Parts Required (sold separately)

- A. AMP® ONE Design-Master Remote Control™

Product Dimensions



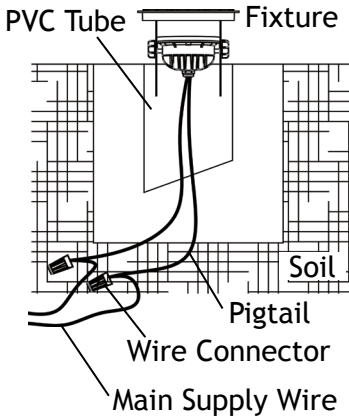
1 Dig Hole



Dig a hole in the ground. Make sure there is approximately 3 inches surrounding the PVC Tube for pea gravel or sand on all sides.

AMP® AMP® ONE HydraPro Well Light AWL-712IR-BBZ (Dimmable)

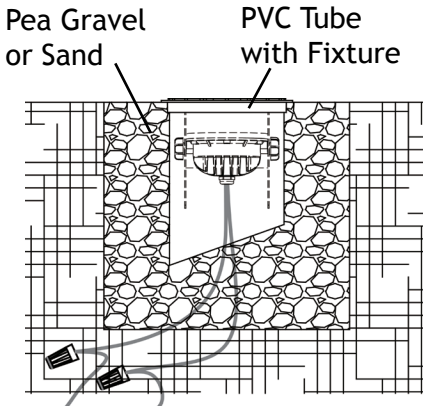
2 Wire Connection



Place the fixture into the PVC Tube and pass the luminaire pigtail through the PVC Tube.

Strip both leads from the luminaire pigtail. Using two wire connectors (sold separately), connect the leads from the luminaire to the main supply cable leads.

3 Fill Pea Gravel or Sand



Install the PVC Tube with the fixture in the hole and fill around the fixture securing it in place with pea gravel or sand to allow for water drainage.



AMP® ONE HydraPro Well Light
AWL-712IR-BBZ (Dimmable)



AMP® ONE HydraPro Well Light
AWL-712IR-BBZ (Dimmable)

AMP[®] Lighting

Help Hotline:

1-813-978-3900 • Mon-Fri 9am-6pm (EST)

Specifications and product details subject to change without notice.
© Copyright 2019, AMP[®] Lighting, Lutz FL USA 33549 • All rights reserved.
customersupport@amplighting.com • 813.978.3900

www.amplighting.com

IS-AWL-712IR-BBZ-ver1.pdf