

INSTALLATION & MAINTENANCE GUIDE

AMP[®] Lighting

AMP[®] Line Voltage Landscape Lighting

AMP[®] Pro Junction Hub

VAC-HUB5-PBK

Help Hotline:

1-813-978-3900 • Mon-Fri 9am-6pm (EST)

www.amplighting.com

! Important Safety Instructions: Read Before Installation

This connection hub is intended for installation in accordance with local codes and the National Electric Code (NEC). Failure to adhere to these codes and instructions may result in serious injury, property damage and void the warranty.

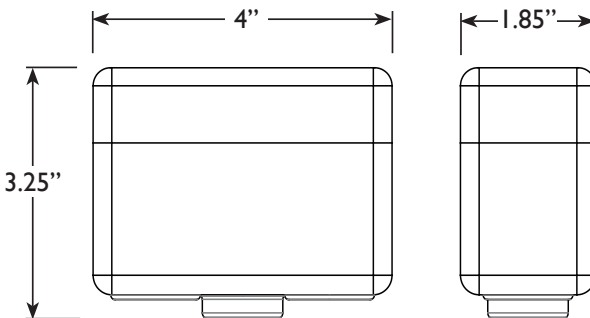
These instructions do not intend to cover all variations in installation, operation maintenance or mounting situations.

1. Make sure that the power is turned OFF before installing or servicing this connection hub.
2. Warning: This connection hub is not intended to be installed within 10 feet [3 meters] of a pool, spa or fountain.
3. This connection hub is intended to be used only with a power supply (transformer) rated maximum of 300 watts (25AMPS) at 12 volts.
4. Underground low energy cable must not be buried over 6" (15.2cm) in order to connect to the main low voltage cable.

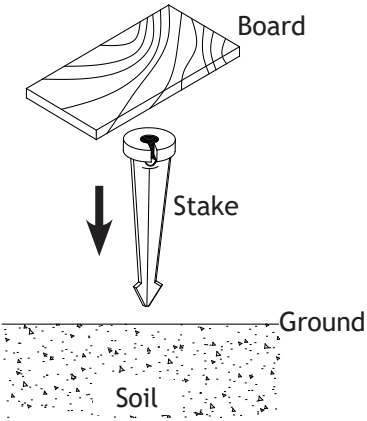
Package Contents

- A. (1) Hub
- B. (1) Stake

Product Dimensions



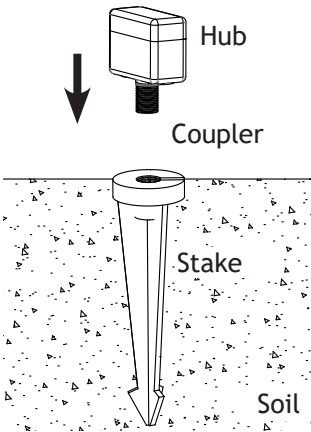
1 Install Stake



Determine the desired location for mounting the stake. Hammer the stake into the ground until flange of stake is flush to grade. To avoid damage to the stake, place a board on top of the stake while hammering.

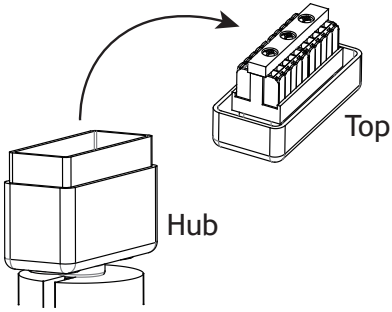
Note: If the ground is hard and the stake is difficult to install, make a crosscut in the ground using a flat shovel.

2 Install Hub to Stake



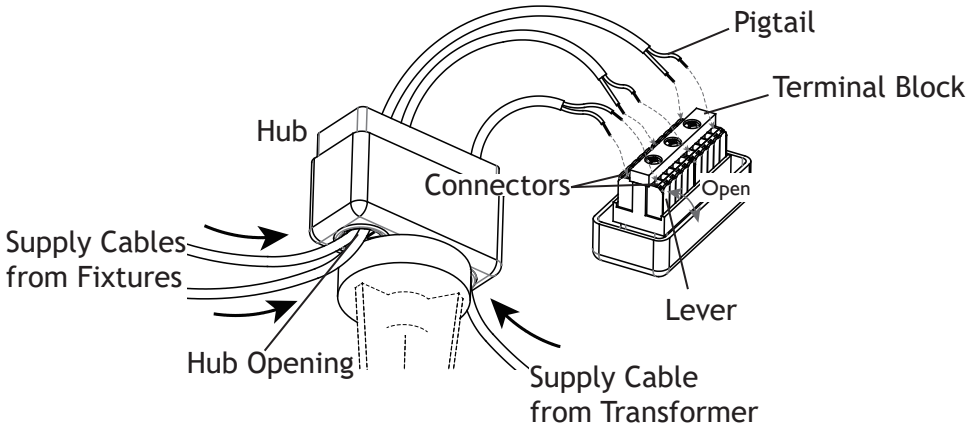
Thread the hub onto the stake and hand tighten until snug.

3 Remove Top



Remove the top from the hub.

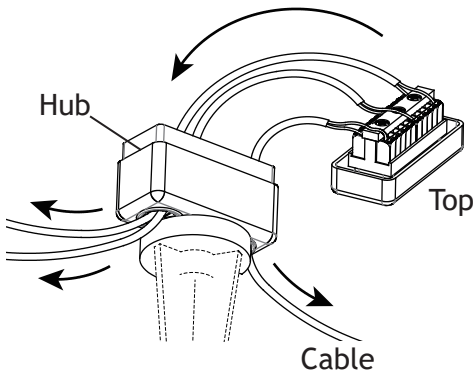
4 Connect Wires



Put the supply cables from the transformer and the fixtures through the openings on the bottom of the hub. Each opening can accept five cables. Strip each end of supply cable pigtail. Open the lever on the terminal block connector. Insert one side of the pigtail into the connector on the terminal block and push the lever down to secure the connection. Insert the other side of the pigtail into the opposite connector and push the lever down to secure the connection.

Use the same method to connect the rest of the supply cables.

5 Attach Top



After all wires are connected, carefully pull the extra wire out of the bottom openings of the hub. Then, place the top back onto the hub.

AMP[®] AMP[®] Pro Junction Hub
VAC-HUB5-PBK

AMP[®] Lighting

Help Hotline:

1-813-978-3900 • Mon-Fri 9am-6pm (EST)

Specifications and product details subject to change without notice.
© Copyright 2023, AMP[®] Lighting, Lutz FL USA 33549 • All rights reserved.
customersupport@amplighting.com • 813.978.3900

www.amplighting.com

IS-VAC-HUB5-PBK-ver1.pdf