

INSTALLATION INSTRUCTIONS



VOLT® Low Voltage Landscape Lighting
VOLT® Mechanical Timer
VAC-MTIMER2

Help Hotline:

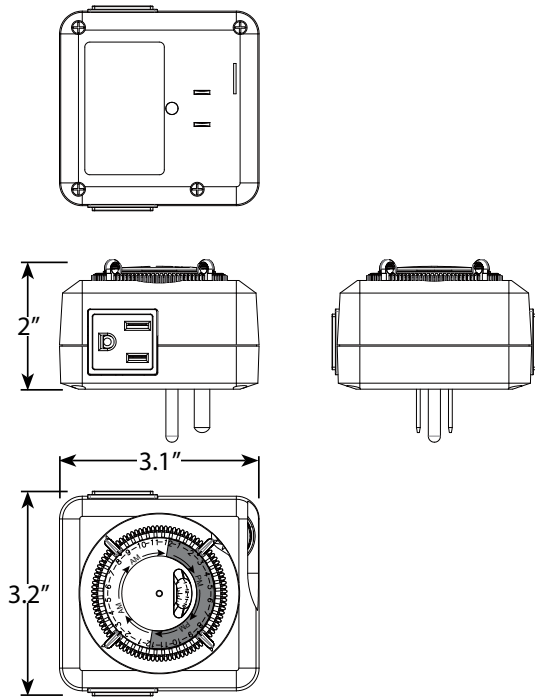
1-813-978-3700 • Mon-Fri 8am-8pm • Sat-Sun 10am - 6pm (EST)

Specifications and product details subject to change without notice.

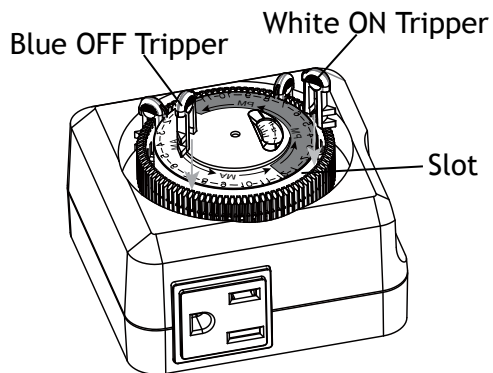
© Copyright 2019, VOLT® Lighting, Lutz FL USA 33549 • All rights reserved. customersupport@voltlighting.com • 813.978.3700



Product Dimensions

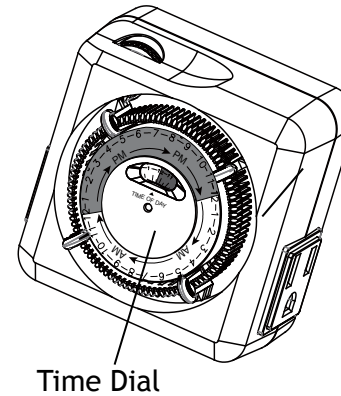


1 To Set ON and OFF Times



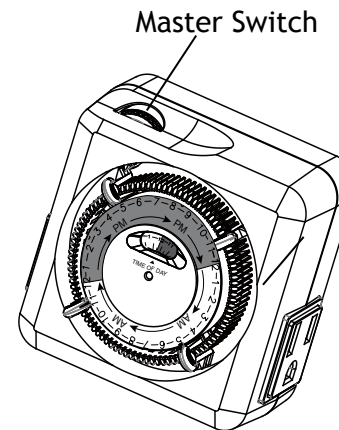
To set the ON time, insert the white ON tripper into the slot of the desired time. To set the OFF time, insert the blue OFF tripper into the slot for the desired time. **Do not insert trippers directly next to each other.** The trippers must be pushed down firmly against the dial.

2 To Set Time of Day



Turn the time dial clockwise one full rotation until the arrow points to the correct time. The black area is AM and the blue area is PM. Plug the timer into the transformer then plug the transformer's loop wire into the timer's socket.

3 Master Switch



The master switch is a temporary override for the timer. Turn the master switch to change the timer's ON or OFF setting.

IN CASE OF POWER FAILURE, RESET THE TIMER (REFER TO SET TIME OF DAY)



Help Hotline:

1-813-978-3700 • Mon-Fri 8am-8pm • Sat-Sun 10am - 6pm (EST)

www.voltlighting.com

Specifications and product details subject to change without notice.

© Copyright 2019, VOLT® Lighting, Lutz FL USA 33549 • All rights reserved. customersupport@voltlighting.com • 813.978.3700