

INSTALLATION & MAINTENANCE GUIDE

AMP[®] Lighting

AMP[®] Low Voltage Landscape Lighting

AMP[®] Bungee Style Tree Strap Mounting Hub

VAC-SM9-BBZ

Help Hotline:

1-813-978-3900 • Mon-Fri 9am-6pm (EST)

www.amplighting.com



Important Safety Instructions: Read Before Installation

This luminaire is intended for installation in accordance with local codes and the National Electric Code (NEC). Failure to adhere to these codes and instructions may result in serious injury, property damage and void the warranty.

These instructions do not intend to cover all variations in installation, operation maintenance or mounting situations.

1. Make sure the power is turned OFF before installing or servicing this luminaire.
2. **WARNING:** risk of electrical shock. Install all luminaires 10 feet (3.05M) or more from pool, spa or fountain.
3. Check the bungee straps every year to make sure they still fit the tree while it is growing.

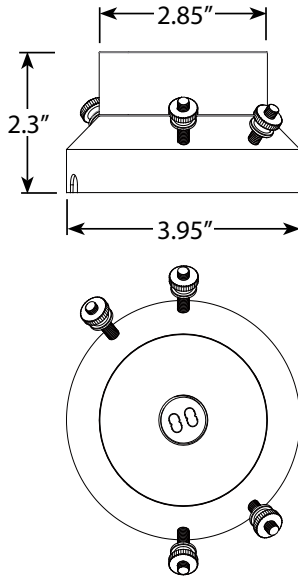
Package Contents

- A. (1) Mount
- B. (2) Bungee Strap

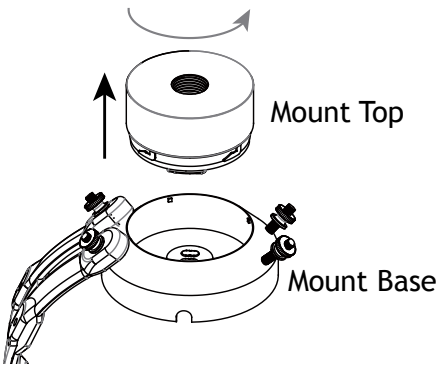
Parts Required (sold separately)

- A. (1) Fixture

Product Dimensions

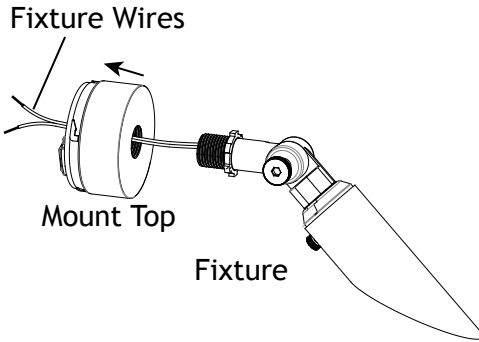


1 Remove Mount Top



Twist and remove the mount top from the base.

2 Install Mount Top to Fixture



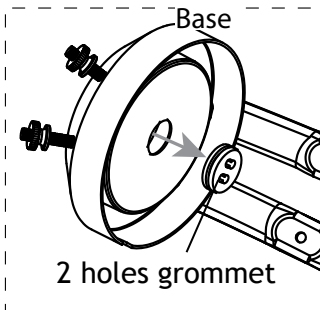
Pass the supply wires from the fixture through the mount top. Then thread the mount top onto the fixture and hand tighten until snug.

3 Replace Grommet - Optional

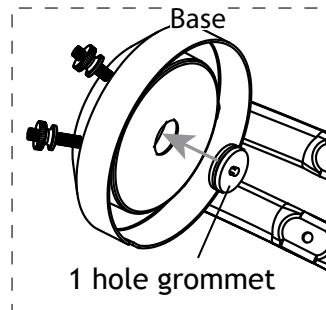
There are two grommets provided with fixture.

1. 2 holes grommet: It is assembled in the fixture, which is used for 2 supply cables entering into the base.
2. 1 hole grommet: It is included with fixture, which is used for 1 supply cable entering into the base.

Refer to the following steps to replace grommets.



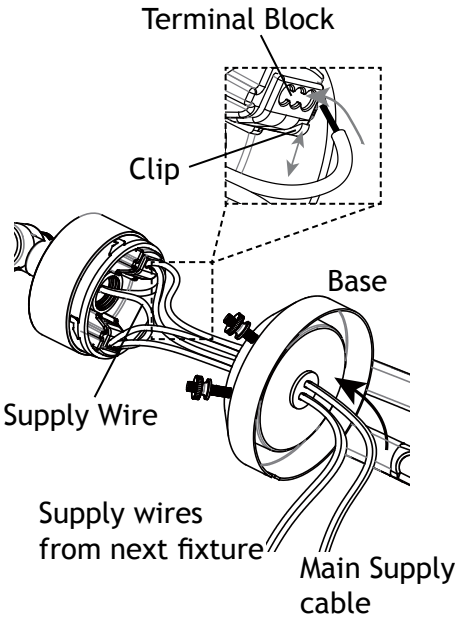
1. Pull the 2 holes grommet out of the base.



2. Push the 1 hole grommet into the center hole.

AMP® AMP® Bungee Style Tree Strap Mounting Hub VAC-SM9-BBZ

4 Wire Connections

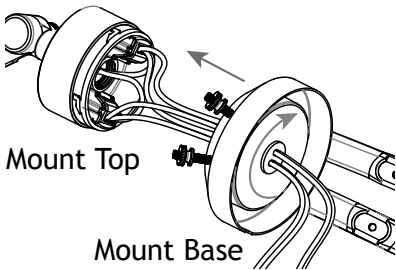


First, connect the wires from the fixture on the mount top. Use the following method.

Separate the end of the wire. Open one of the clips on a terminal block and insert one end of the wire. Close the clip and make sure the wire is secure. Use the same way to insert the other end of the wire into the opposite terminal block.

Last, insert the supply wire and any additional wires through the grommet on the base. Use the method above to finish connecting the rest of the wires.

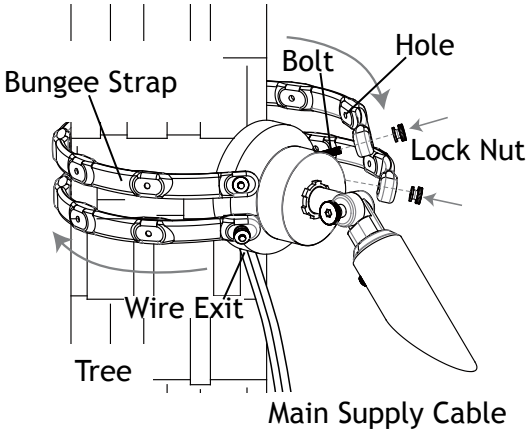
5 Install Mount Base to Mount Top



Place the mount base onto the mount top and rotate until they lock.

AMP® AMP® Bungee Style Tree Strap Mounting Hub VAC-SM9-BBZ

6 Attach Fixture to Tree



Place the wire in the wire exit slot making sure it is facing down. Then attach the mount to your desired tree. Wrap the bungee straps around the tree until a proper hole fits the tree size. Remove the lock nut and place the bolt through the hole on the bungee strap. Secure using the lock nut. Hand tighten until snug.

AMP[®] Lighting

Help Hotline:

1-813-978-3900 • Mon-Fri 9am-6pm (EST)

Specifications and product details subject to change without notice.
© Copyright 2021, AMP[®] Lighting, Lutz FL USA 33549 • All rights reserved.
customersupport@amplighting.com • 813.978.3900

www.amplighting.com

IS-VAC-SM9-BBZA-ver1.pdf