

INSTALLATION & MAINTENANCE GUIDE

AMP[®] Lighting

AMP[®] Low Voltage Landscape Lighting

AMP[®] Slimline Transformer Pedestal Mount with Cover

VAC-TR-CVR1 & VAC-TR-MP1-SS

Help Hotline:

1-813-978-3900 • Mon-Fri 9am-6pm (EST)

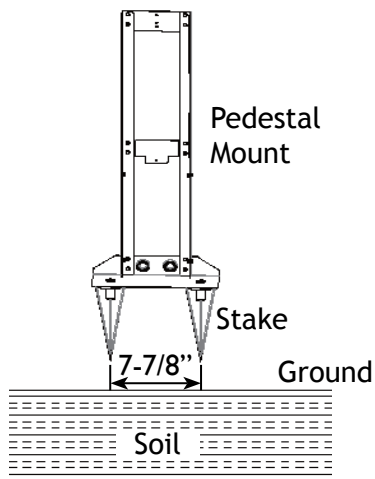
www.amplighting.com

Package Contents

- | | |
|-----------------------|-----------------------------|
| A. (1) Pedestal Mount | C. (1) Allen Wrench |
| B. (2) Screws | D. (2) 13" XL Hammer Stakes |

Remove Mounting Kits from the back of the Pedestal Mount before installation.

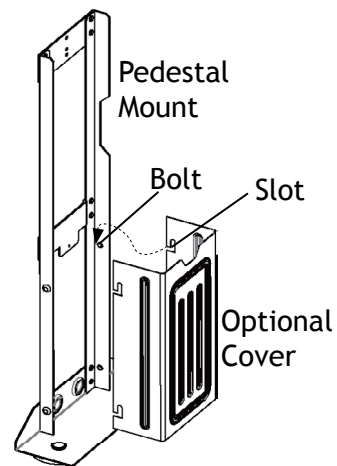
1 Install Pedestal Mount



Determine the desired location for mounting the pedestal. Push the stakes of the pedestal mount into the ground until flange of stake is flush to grade. The easiest way to do this is with your foot directly over the bracket the stake is attached to.

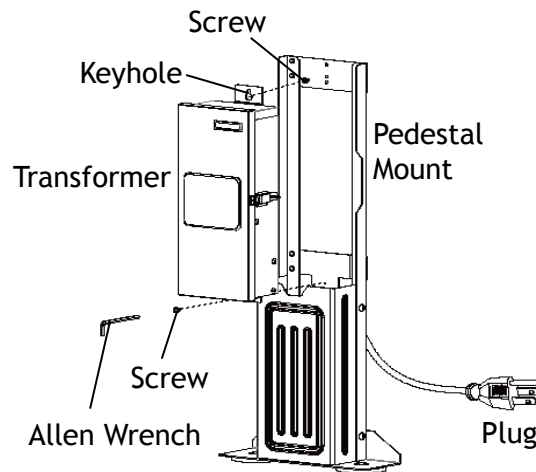
NOTE: If the ground is hard and the stakes are difficult to install, make two crosscuts in the ground using a flat shovel. Be sure the distance between the two crosscuts are 7-7/8", which is the same as the distance between the two stakes. This should allow for an easier installation.

2 Install Optional Cover



Fit all the slots on the optional cover to the bolts on the pedestal mount.

3 Install Transformer



Start by removing the upper screw from the pedestal mount. Next, loosen the lower screw on the pedestal mount enough to allow the transformer tab to sit on it. This should hold the transformer in place. Carefully hold the transformer steady and reinstall the upper screw to secure the transformer into place. Finally, tighten both set screws until snug.

AMP[®] Lighting

Help Hotline:

1-813-978-3900 • Mon-Fri 9am-6pm (EST)

Specifications and product details subject to change without notice.
© Copyright 2019, AMP[®] Lighting, Lutz FL USA 33549 • All rights reserved.
customersupport@amplighting.com • 813.978.3900

www.amplighting.com

IS-VAC-TR-MP1-SS-V1.N.pdf