

# INSTALLATION INSTRUCTIONS



VOLT® Low Voltage Landscape Lighting  
VOLT® Integrated Hub Surface Mount  
VAC-ZWM2-BBZ

---

**Help Hotline:**

**1-813-978-3700 • Mon-Fri 8am-8pm • Sat-Sun 10am - 6pm (EST)**

Specifications and product details subject to change without notice.  
© Copyright 2019, VOLT® Lighting, Lutz FL USA 33549 • All rights reserved.  
[customersupport@voltlighting.com](mailto:customersupport@voltlighting.com) • 813.978.3700



## **! Important: Please Read Before Installation**

This fixture is intended for installation in accordance with local codes and the National Electric Code (NEC). Failure to adhere to these codes and instructions may result in serious injury, property damage and void the warranty.

These instructions do not intend to cover all variations in installation, operation maintenance or mounting situations.

1. Make sure that the power is turned OFF before installing or servicing this fixture.
2. Warning: this fixture is not intended to be installed within 10 feet [3 meters] of a pool, spa or fountain.
3. This fixture is intended to be used only with a power supply (transformer) rated maximum of 300 watts (25 AMPS) at 15 volts.
4. Underground Low Energy Cable must not be buried over 6" (15.2 cm) in order to connect to the main low voltage cable.
5. Wiring connections must be made with UL listed wire connectors that are suitable for outdoor use.
6. Position the wire connector so that it is located within 6 inches (15.2 cm) from a building structure, a luminaire, or fitting.

## **! Important Safety Instructions**

### **LIGHTED LAMP IS HOT!**

**WARNING - TO REDUCE THE RISK OF FIRE OR INJURY TO PERSONS.**

1. Turn off/unplug and allow to cool before reducing lamp.
2. Lamp gets HOT quickly!
3. Do not touch the hot lens, guard or cowl.
4. Keep lamp away from materials that may burn.
5. Do not touch lamp at any time.
6. Use a soft cloth.
7. Oil from skin may damage lamp.
8. Do not operate the fixture with a damaged or missing lens or shield.

## Main low voltage cable

Main low voltage cable shall be sized as one of the following:

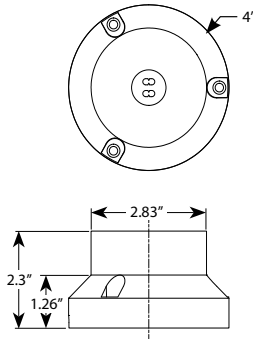
- A. Underground low energy circuit cable
- B. SPT-3 or SPT-2W
- C. Any junior hard service cord specified in 24.3.1.2
- D. Any other wire rated as sunlight resistant, suitable for wet locations, and intended for direct burial as defined in the Standard for Thermoplastic-Insulated Underground Feeder and Branch-Circuit Cables, UL 493.

## Fixture low voltage cable

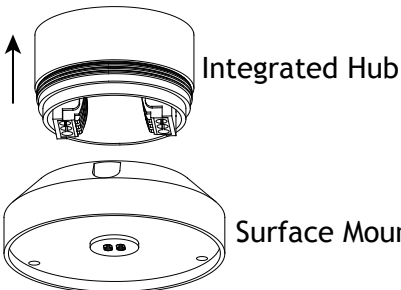
Fixture low voltage cable used to connect the luminaire or fitting to the main low voltage cable shall be one of the following:

- A. Any wire suitable for the main voltage cable, per 53.3.1
- B. SPT-1(W)
- C. XTW or CXTW, or
- D. AWM with equivalent properties.

## Product Dimensions



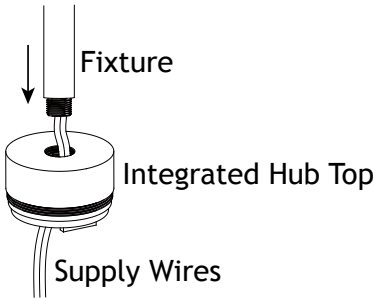
## 1 Separate Integrated Hub Top



Loosen the integrated hub top and separate the integrated hub top from the surface mount.

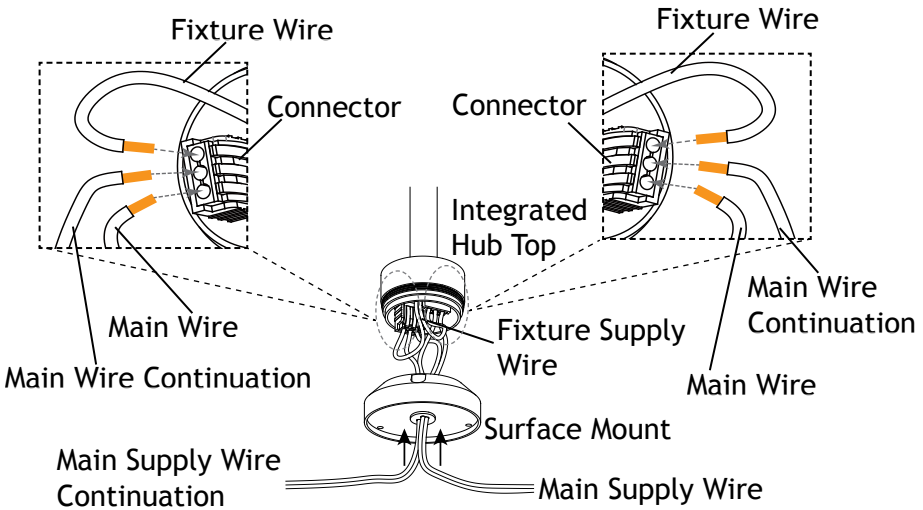


## 2 Install Fixture to Integrated Hub Top



Pass the supply wires from the fixture through the integrated hub top. Thread the fixture onto the integrated hub top and hand tighten until snug.

## 3 Wire Connection

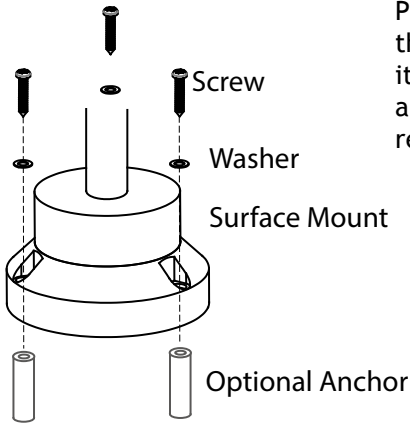


Insert the main supply wire continuation (if needed) and the main supply wire up through the bottom of the surface mount and strip the ends of both sets of supply wires.

Attach the fixture wires and both sets of the main supply wires to their correct connectors in the integrated hub top.

Once the wires are installed properly, thread the integrated hub top back onto the surface mount and hand tighten until snug.

## 4 Install Surface Mount



Place the surface mount onto the desired location and secure it with the screws. Tighten with a screwdriver. Nylon spacers are required when installing on trees.







**Help Hotline:**

**1-813-978-3700 • Mon-Fri 8am-8pm • Sat-Sun 10am - 6pm (EST)**

[www.voltlighting.com](http://www.voltlighting.com)

Specifications and product details subject to change without notice.  
© Copyright 2019, VOLT® Lighting, Lutz FL USA 33549 • All rights reserved.  
[customersupport@voltlighting.com](mailto:customersupport@voltlighting.com) • 813.978.3700