

## INSTALLATION & MAINTENANCE GUIDE

**AMP**<sup>®</sup> Lighting

AMP<sup>®</sup> Low Voltage Landscape Lighting

AMP<sup>®</sup> Built-In Hub Base with Surface Mount

VAC-ZWM2-BBZ

Help Hotline:

1-813-978-3900 • Mon-Fri 9am-6pm (EST)

[www.amplighting.com](http://www.amplighting.com)



**! Important Safety Instructions: Read Before Installation**

This luminaire is intended for installation in accordance with local codes and the National Electric Code (NEC). Failure to adhere to these codes and instructions may result in serious injury, property damage and void the warranty.

These instructions do not intend to cover all variations in installation, operation maintenance or mounting situations.

1. Make sure the power is turned OFF before installing or servicing this luminaire.
2. WARNING: risk of electrical shock. Install all luminaires 10 feet (3.05M) or more from pool, spa or fountain.
3. This luminaire is intended to be used only with a power supply (transformer) rated maximum of 300 watts (25 AMPS) at 15 volts.
4. Wiring connections must be made with UL listed wire connectors that are suitable for outdoor use.
5. Position the low voltage wire and wire connector so that it is located within 6 inches (15.2 cm) from a building structure, a luminaire or fitting.
6. The main low voltage cable is intended for shallow burial - less than 6 inches (152 mm).

**! Important Safety Instructions**

**INSTRUCTIONS PERTAINING TO A RISK OF FIRE, OR INJURY TO PERSONS**  
**Lighted lamp is HOT!**

WARNING - To reduce the risk of FIRE OR INJURY TO PERSONS.

1. Turn off/unplug and allow to cool before replacing lamp.
2. Lamp gets HOT quickly! Contact only switch/plug when turning on.
3. Do not touch the hot lens, guard or enclosure.
4. Keep lamp away from materials that may burn.
5. Do not touch lamp at any time. Use a soft cloth. Oil from skin may damage lamp.
6. Do not operate the luminaire fitting with a missing or damaged shield.

SAVE THESE INSTRUCTIONS

## Main low voltage cable

Main low voltage cable shall be sized as one of the following:

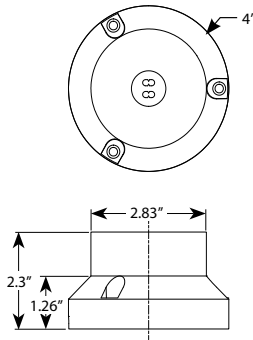
- A. Underground low energy circuit cable
- B. SPT-3 or SPT-2W
- C. Any junior hard service cord specified in 24.3.1.2
- D. Any other wire rated as sunlight resistant, suitable for wet locations, and intended for direct burial as defined in the Standard for Thermoplastic-Insulated Underground Feeder and Branch-Circuit Cables, UL 493.

## Fixture low voltage cable

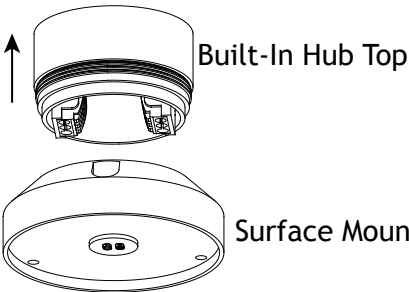
Fixture low voltage cable used to connect the luminaire or fitting to the main low voltage cable shall be one of the following:

- A. Any wire suitable for the main voltage cable, per 53.3.1
- B. SPT-1(W)
- C. XTW or CXTW, or
- D. AWM with equivalent properties.

## Product Dimensions



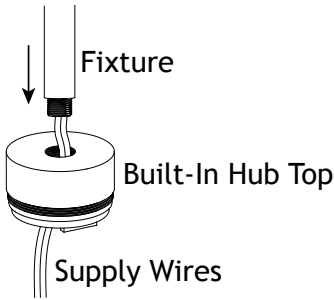
### 1 Separate Built-In Hub Top



Loosen the built-in hub top and separate the built-in hub top from the surface mount.

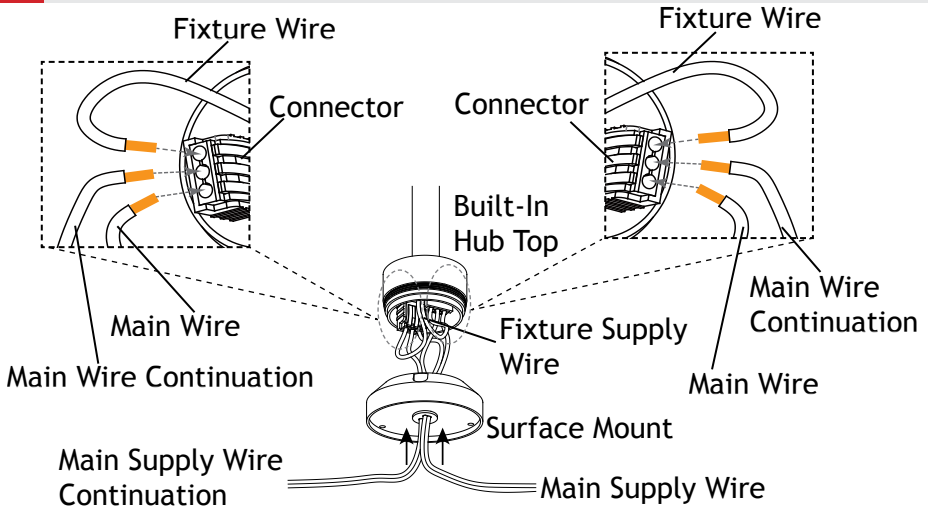
# AMP<sup>®</sup> AMP<sup>®</sup> Built-In Hub Base with Surface Mount VAC-ZWM2-BBZ

## 2 Install Fixture to Built-In Hub Top



Pass the supply wires from the fixture through the built-in hub top. Thread the fixture onto the built-in hub top and hand tighten until snug.

## 3 Wire Connection



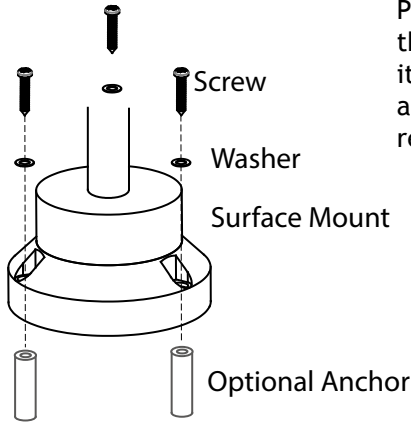
Insert the main supply wire continuation (if needed) and the main supply wire up through the bottom of the surface mount and strip the ends of both sets of supply wires.

Attach the fixture wires and both sets of the main supply wires to their correct connectors in the built-in hub top.

Once the wires are installed properly, thread the built-in hub top back onto the surface mount and hand tighten until snug.

# AMP<sup>®</sup> AMP<sup>®</sup> Built-In Hub Base with Surface Mount VAC-ZWM2-BBZ

## 4 Install Surface Mount



Place the surface mount onto the desired location and secure it with the screws. Tighten with a screwdriver. Nylon spacers are required when installing on trees.



AMP® Built-In Hub Base with Surface Mount  
VAC-ZWM2-BBZ



**AMP**<sup>®</sup> Lighting

**Help Hotline:**

**1-813-978-3900 • Mon-Fri 9am-6pm (EST)**

Specifications and product details subject to change without notice.  
© Copyright 2019, AMP<sup>®</sup> Lighting, Lutz FL USA 33549 • All rights reserved.  
customersupport@amplighting.com • 813.978.3900

**[www.amplighting.com](http://www.amplighting.com)**

IS-VAC-ZWM2A-BBZ-ver1.pdf