

INSTALLATION INSTRUCTIONS



VOLT® Connection Hub

VAC-ZWM8-BBZ

Help Hotline:

1-813-978-3700 • Mon-Fri 8am-8pm • Sat-Sun 10am - 6pm (EST)

Specifications and product details subject to change without notice.
© Copyright 2019, VOLT® Lighting, Lutz FL USA 33549 • All rights reserved.
customersupport@voltlighting.com • 813.978.3700



! Important: Please Read Before Installation

This connection hub is intended for installation in accordance with local codes and the National Electric Code (NEC). Failure to adhere to these codes and instructions may result in serious injury, property damage and void the warranty.

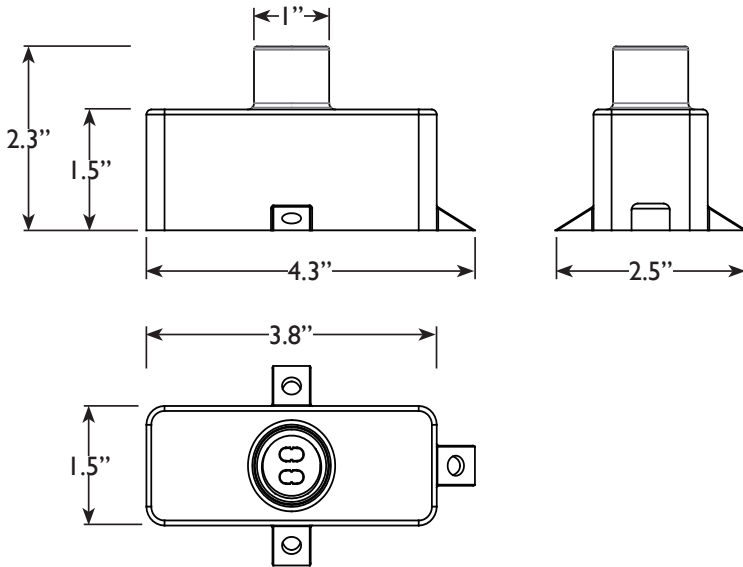
These instructions do not intend to cover all variations in installation, operation maintenance or mounting situations.

1. Make sure that the power is turned OFF before installing or servicing this connection hub.
2. Warning: This connection hub is not intended to be installed within 10 feet [3 meters] of a pool, spa or fountain.
3. This connection hub is intended to be used only with a power supply (transformer) rated maximum of 300 watts (25AMPS) at 12 volts.
4. Wiring connections must be made with UL Listed wire connectors that is suitable for outdoor use.
5. Underground low energy cable must not be buried over 6" (15.2cm) in order to connect to the main low voltage cable.

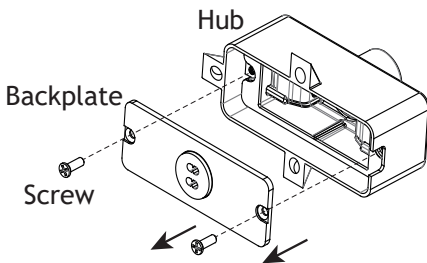
Package Contents

- | | |
|----------------------------|--------------------------|
| A. (1) Connection Hub | C. (1) Waterproof Washer |
| B. (3) Self-tapping Screws | |

Product Dimensions



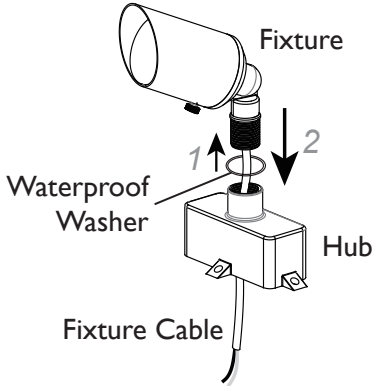
1 Remove Backplate



Remove the backplate from the hub by unlocking screws.

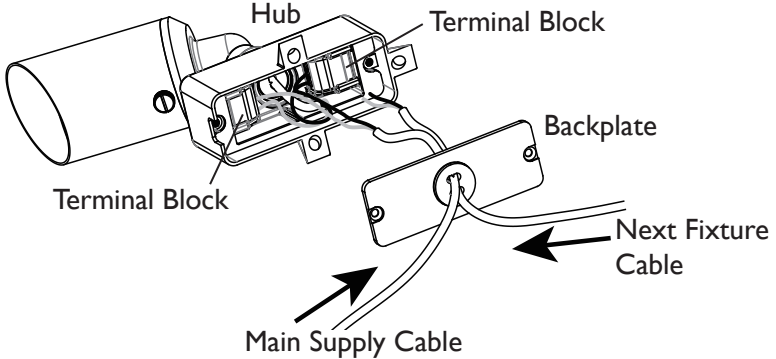


2 Install Fixture to Hub



Pass fixture cable through the waterproof washer and the center hole on the hub in turn. Place the waterproof washer around the screw of the fixture and then thread the screw onto the hub. Hand tighten until snug.

3 Wire Connection

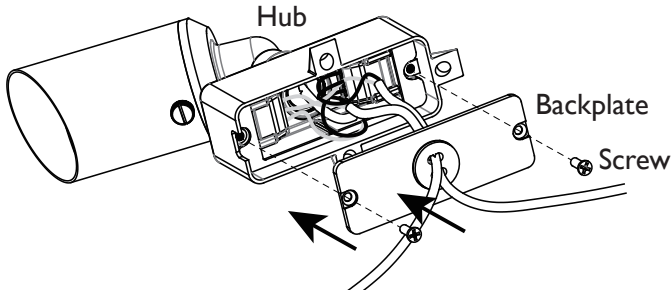


Pass main supply cable and next fixture cable through the center hole on the backplate.

Strip the end of main supply cable pigtail. Insert one pigtail into one terminal block in the hub and insert another pigtail into another terminal block in the hub.

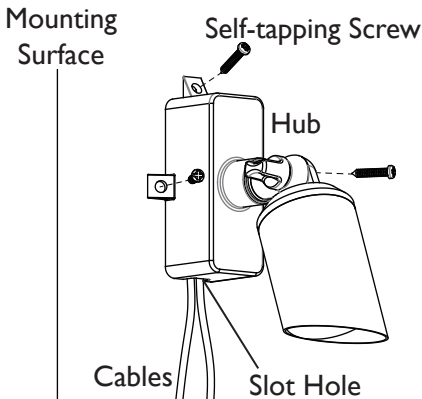
Use the same method to connect supply cables from fixtures. Be sure to insert same color pigtails to the same terminal block.

4 Install Backplate



Carefully tuck all slack cables inside of the hub and place the backplate back onto the hub. Secure by threading previously removed screws back on to the hub. Hand tighten until snug with screwdrivers.

5 Install Hub



Trace the cables exiting the hub from the slot hole on the hub and make sure the slot hole is downwards. Place the hub onto mounting surface and secure with self-tapping screws.

INSTALLATION INSTRUCTIONS



VOLT® Connection Hub
VAC-ZWM8-BBZ



Help Hotline:

1-813-978-3700 • Mon-Fri 8am-8pm • Sat-Sun 10am - 6pm (EST)

www.voltlighting.com

Specifications and product details subject to change without notice.
© Copyright 2019, VOLT® Lighting, Lutz FL USA 33549 • All rights reserved.
customersupport@voltlighting.com • 813.978.3700

— customersupport@voltlighting.com • 813.978.3700 —



Help Hotline:

1-813-978-3700 • Mon-Fri 8am-8pm • Sat-Sun 10am - 6pm (EST)

www.voltlighting.com

Specifications and product details subject to change without notice.
© Copyright 2019, VOLT® Lighting, Lutz FL USA 33549 • All rights reserved.
customersupport@voltlighting.com • 813.978.3700