

INSTALLATION INSTRUCTIONS

Low Voltage Landscape Lighting

Specifications and product details subject to change without notice.

Important: Please Read Before Installation

This connection hub is intended for installation in accordance with local codes and the National Electric Code (NEC). Failure to adhere to these codes and instructions may result in serious injury, property damage and void the warranty.

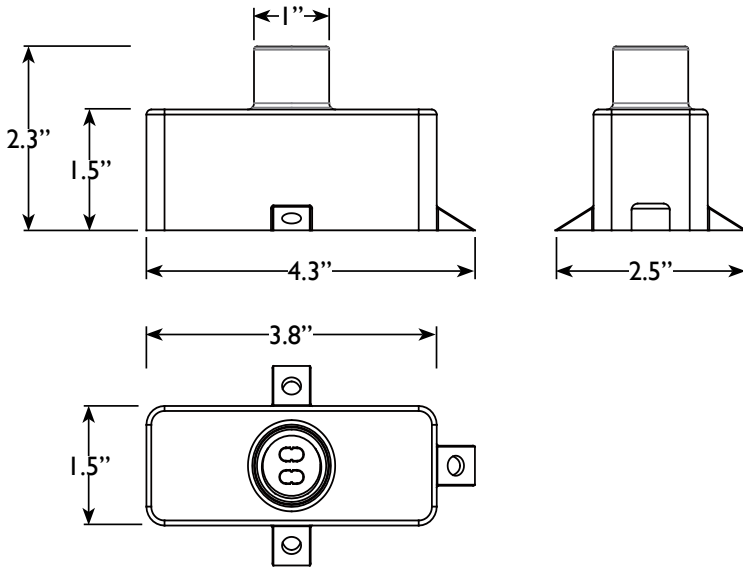
These instructions do not intend to cover all variations in installation, operation maintenance or mounting situations.

1. Make sure that the power is turned OFF before installing or servicing this connection hub.
2. Warning: This connection hub is not intended to be installed within 10 feet [3 meters] of a pool, spa or fountain.
3. This connection hub is intended to be used only with a power supply (transformer) rated maximum of 300 watts (25AMPS) at 12 volts.
4. Wiring connections must be made with UL Listed wire connectors that is suitable for outdoor use.
5. Underground low energy cable must not be buried over 6" (15.2cm) in order to connect to the main low voltage cable.

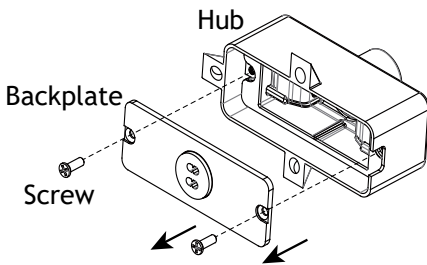
Package Contents

- | | |
|----------------------|------------|
| A. Hub | C. Grommet |
| B. Mounting Hardware | |

Product Dimensions

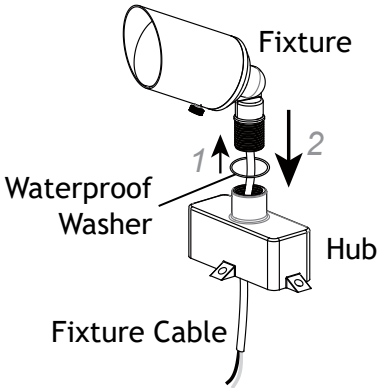


1 Remove Backplate



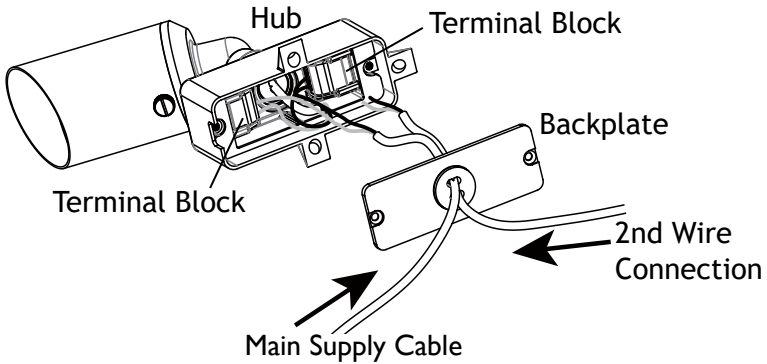
Remove the backplate from the hub by removing the screws.

2 Install Fixture to Hub



Pass the fixture wire through the waterproof washer and the center hole of the hub. Place the waterproof washer around the threads of the fixture and then attach the fixture onto the hub. Hand tighten until snug.

3 Wire Connection

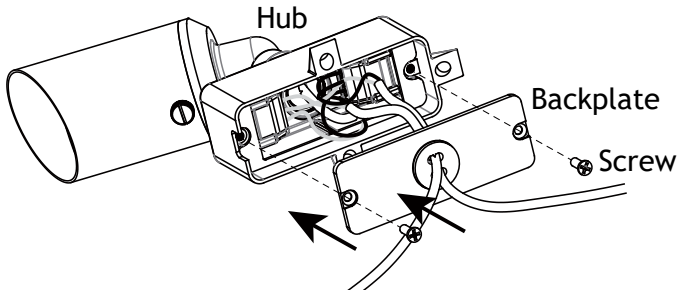


Strip both ends of the fixture wire once it is attached to the hub, then insert one side of the wire into one terminal block, then insert the other side of the wire into the opposite terminal block.

Pass the main supply cable and 2nd wire connection through the center hole on the backplate.

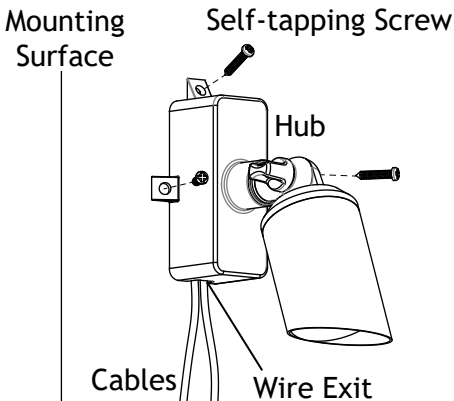
Strip the ends of both the main supply cable and 2nd wire connection leads. Insert one side of the wire into one terminal block, then insert the other side of the wire into the opposite terminal block.

4 Install Backplate



Carefully tuck all the extra wire inside of the hub and place the backplate onto the hub. Secure by using the previously removed screws. Tighten with a screwdriver.

5 Install Hub



Make sure the wire exit is facing down when placing the mount onto the surface. Secure using the self-tapping screws.

INSTALLATION INSTRUCTIONS

Low Voltage Landscape Lighting

Specifications and product details subject to change without notice.