

INSTALLATION INSTRUCTIONS



VOLT® Low Voltage Landscape Lighting
VOLT® Recessed Soffit Downlight (Aluminum White)
VAL-1815-AWH

Help Hotline:

1-813-978-3700 • Mon-Fri 8am-8pm • Sat-Sun 10am - 6pm (EST)

Specifications and product details subject to change without notice.
© Copyright 2023, VOLT® Lighting, Lutz FL USA 33549 • All rights reserved.
customersupport@voltlighting.com • 813.978.3700



Important: Please Read Before Installation

This fixture is intended for installation in accordance with local codes and the National Electric Code (NEC). Failure to adhere to these codes and instructions may result in serious injury, property damage and void the warranty.

These instructions do not intend to cover all variations in installation, operation maintenance or mounting situations.

1. Make sure that the power is turned OFF before installing or servicing this fixture.
2. Mounting and installation of the fixture should ONLY be performed by a qualified electrician or certified professional, in accordance with applicable local laws and regulations.
3. The installer is responsible for correct and safe installation.
4. Do not connect or disconnect the fixture under load.
5. Mount to a structure that can support the weight of the fixture.
6. Wiring connections must be made with UL or ETL listed wire connectors that are suitable for damp location.

Important Safety Instructions

LIGHTED LAMP IS HOT!

WARNING - TO REDUCE THE RISK OF FIRE OR INJURY TO PERSONS.

1. Turn off/unplug and allow to cool before reducing lamp.
2. Lamp gets HOT quickly!
3. Do not touch the hot lens, guard or cowl.
4. Keep lamp away from materials that may burn.
5. Do not touch lamp at any time.
6. Use a soft cloth when touch the lamp.
7. Oil from skin may damage lamp.
8. Do not operate the fixture with a damaged or missing lens or shield.

SAVE THESE INSTRUCTIONS

Package Contents

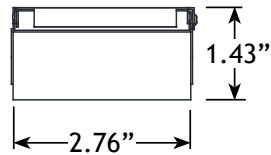
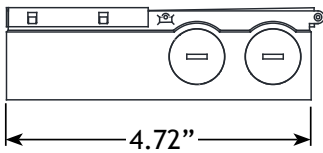
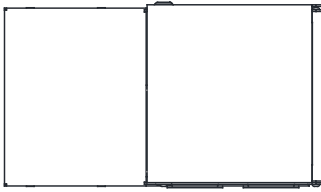
A. (1) Lamp Body

B. (1) Junction Box

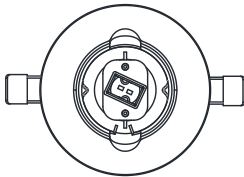
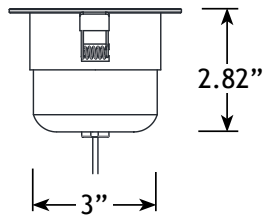
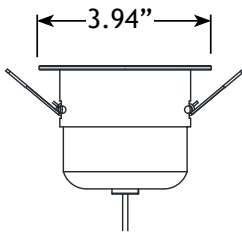
Parts Required (sold separately)

A. (1) MR16 Bulb

Product Dimensions



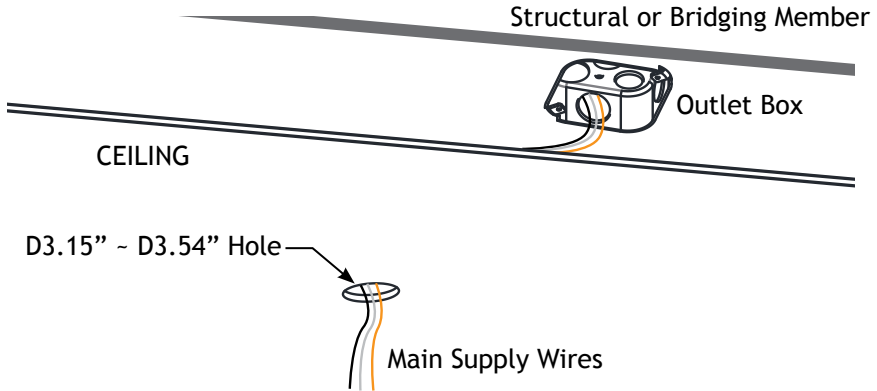
Junction Box



Lamp Body

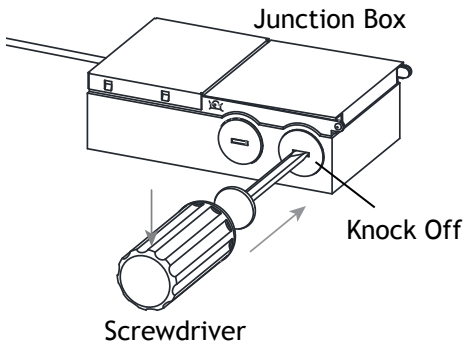


1 Drill Hole on the Ceiling



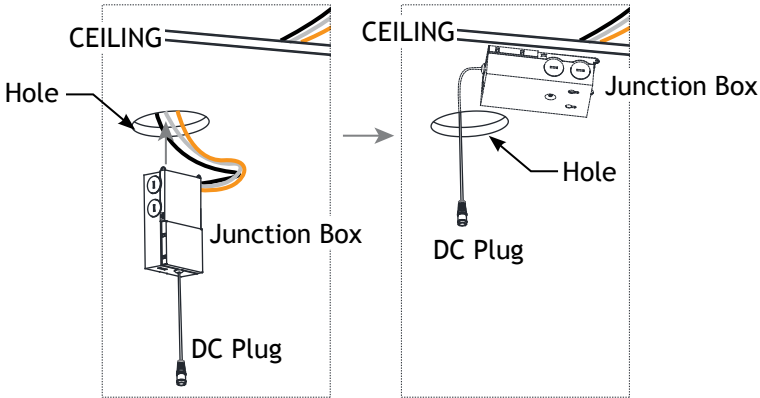
Drill a 3.15" ~ 3.54" Diameter hole in the desired mounting location on the ceiling. Carefully trace the main supply wires through the drilled hole.

2 Remove Knock Out from Junction Box



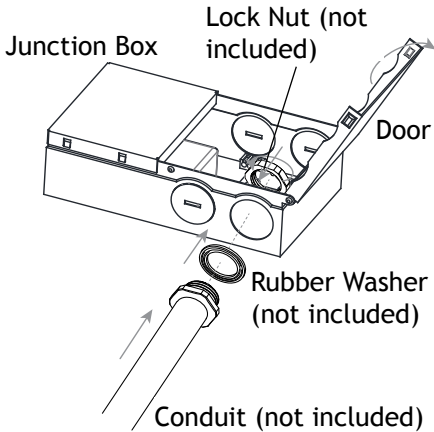
Using a screwdriver, remove one knock out from the junction box.

3 Place Junction Box on to the Ceiling



Carefully put the junction box through the drilled hole on the ceiling and place it on to the ceiling. Leave the DC plug out of the hole.

4 Install Conduit to Junction Box

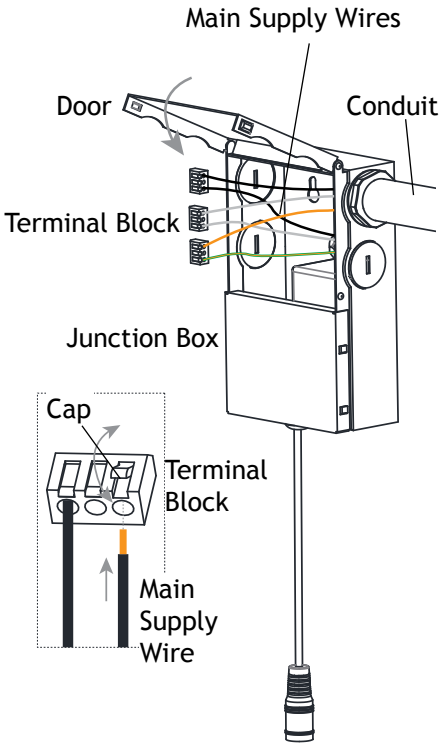


Note: Conduit, rubber washer and lock nut are not included in the package. The conduit needs to match the knock off hole of the junction box properly.

Open the door on the junction box. Place one rubber washer onto the conduit and place the conduit onto the hole of the junction box. Secure them with the lock nut and hand tighten until snug.

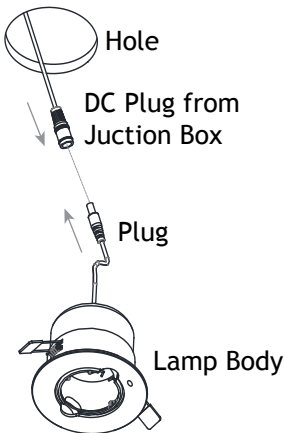


5 Connect Main Supply Wires to Junction Box



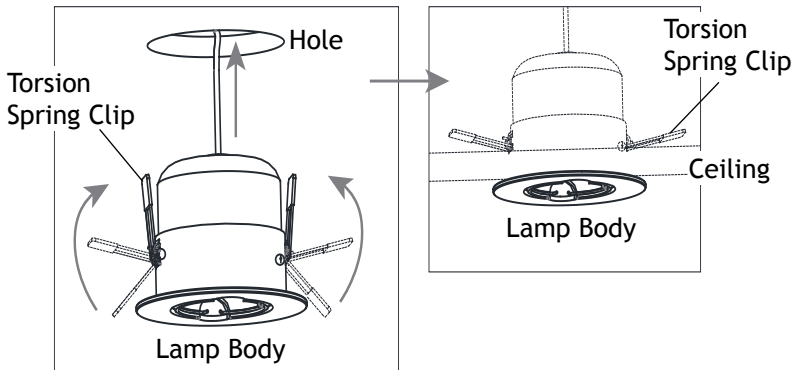
1. Trace the main supply wires from ceiling through the conduit into the junction box.
2. Open the cap on the terminal block, connect the main black supply wire into the terminal block where the black driver wire is connected. Connect the main white supply wire into the terminal block where the white driver wire is connected. Connect the main ground wire into the terminal block where the green ground wire is connected. Close the cap once the wires are inserted properly.
3. Place all terminal blocks back into the junction box and close the door.

6 Connect Lamp Body to Junction Box



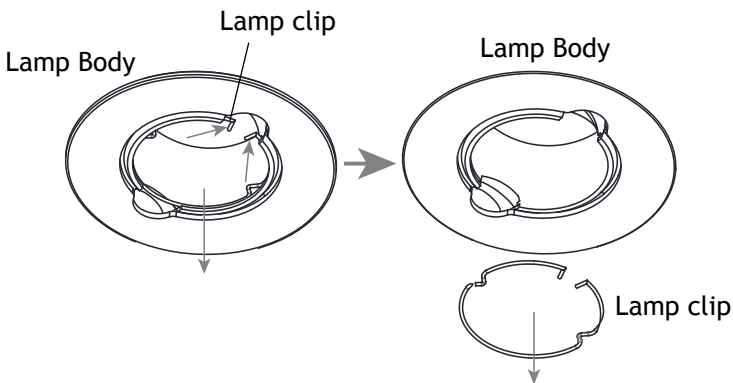
Connect the plug on the lamp body to the DC plug from junction box.

7 Install Lamp Body to Ceiling



Rotate torsion spring clips on both sides of the lamp body and hold them tightly. Carefully insert the lamp body into the hole on the ceiling. Push the lamp body until the face ring sits flush to the ceiling surface.

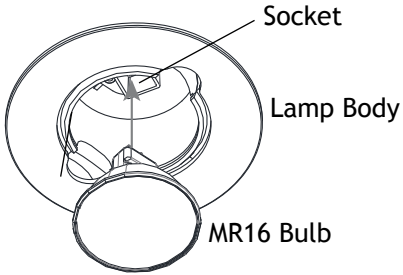
8 Remove Lamp Clip



Push the opening ends of the lamp clip and remove it from the lamp body.



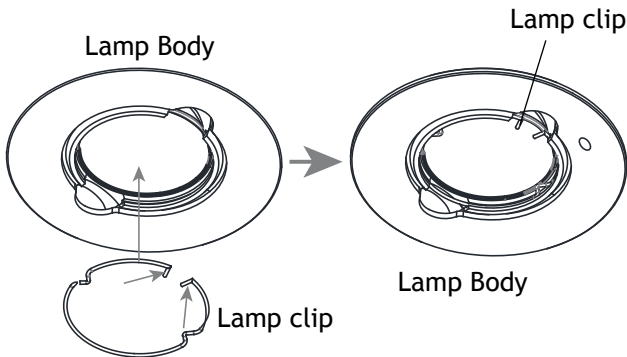
9 Install MR16 Bulb



Insert bulb with correct wattage and type marked on fixture label and push into place.

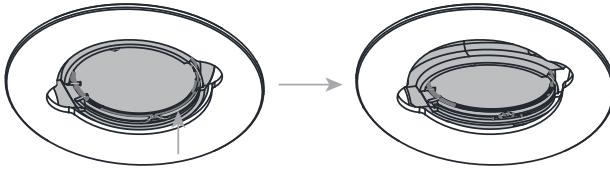
CAUTION: Do not exceed maximum wattage marked on fixture label.

10 Install Lamp Clip



Push the opening ends of the lamp clip and install it back to the lamp body.

11 Adjust Lamp Direction



Adjust the lamp to your desired direction by pushing the flange of the lamp body.

Install/Replace Bulb

Please reverse Step 8 - Step 10 to replace MR16 bulb with the correct wattage and type marked on the fixture label. Then, reinstall the lamp clip.

IMPORTANT: The MR16 Bulb must be protected by the lamp clip. Always reinstall the lamp clip when removed.



Help Hotline:

1-813-978-3700 • Mon-Fri 8am-8pm • Sat-Sun 10am - 6pm (EST)

www.voltlighting.com

Specifications and product details subject to change without notice.
© Copyright 2023, VOLT® Lighting, Lutz FL USA 33549 • All rights reserved.
customersupport@voltlighting.com • 813.978.3700