

# INSTALLATION INSTRUCTIONS



VOLT® Low Voltage Landscape Lighting

VOLT® Multi-Flux Integrated LED Brass Spotlight (Bronze)

VAL-2011-4-BBZ

**Help Hotline:**

**1-813-978-3700 • Mon-Fri 8am-8pm • Sat-Sun 10am - 6pm**

Specifications and product details subject to change without notice.  
© Copyright 2022, VOLT® Lighting, Lutz FL USA 33549 • All rights reserved.  
[customersupport@voltlighting.com](mailto:customersupport@voltlighting.com) • 813.978.3700



## **! Important: Please Read Before Installation**

This luminaire is intended for installation in accordance with local codes and the National Electric Code (NEC). Failure to adhere to these codes and instructions may result in serious injury, property damage and void the warranty.

These instructions do not intend to cover all variations in installation, operation maintenance or mounting situations.

1. Make sure the power is turned OFF before installing or servicing this luminaire.
2. **WARNING:** risk of electrical shock. Install all luminaires 10 feet (3.05M) or more from pool, spa or fountain.
3. This luminaire is intended to be used at 12VAC.
4. Wiring connections must be made with UL listed wire connectors that are suitable for outdoor use.
5. Position the low voltage wire and UL listed wire connector so that it is located within 6 inches (15.2 cm) from a building structure, a luminaire or fitting.
6. The main low voltage cable is intended for shallow burial - less than 6 inches (152 mm).

## **! Important Safety Instructions**

**INSTRUCTIONS PERTAINING TO A RISK OF FIRE, OR INJURY TO PERSONS**  
Lighted lamp is HOT!

**WARNING - TO REDUCE THE RISK OF FIRE OR INJURY TO PERSONS.**

1. Lamp gets HOT quickly!
2. Do not touch the hot lens, guard or enclosure.
3. Keep lamp away from materials that may burn.
4. Do not touch lamp at any time. Use a soft cloth. Oil from skin may damage lamp.
5. Do not operate the luminaire fitting with a missing or damaged shield.

**SAVE THESE INSTRUCTIONS**

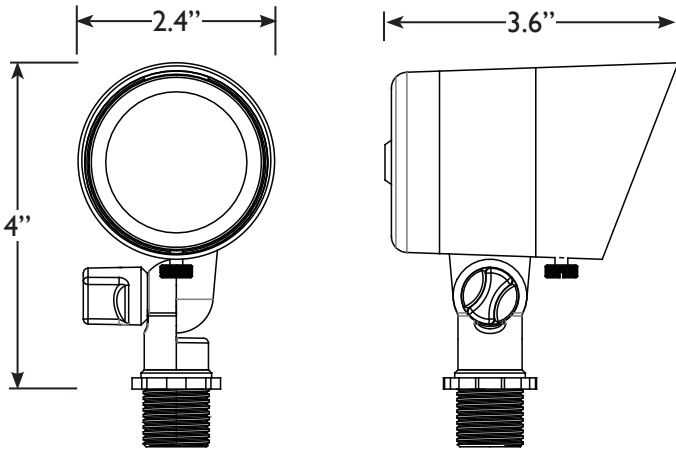
## Package Contents

A. (1) Fixture

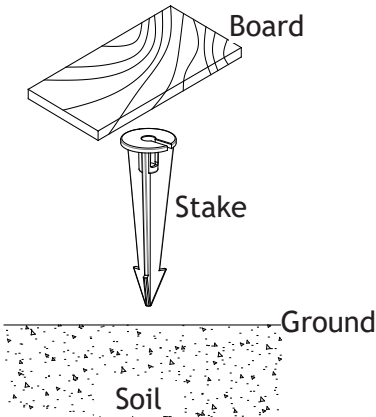
## Parts Required

A. (1) Mounting Accessory

## Product Dimensions



## 1 Install Stake

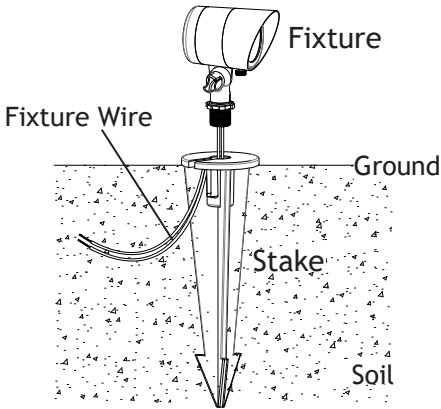


Determine the desired location for mounting the stake. Hammer the stake into the ground until flange of stake is flush to ground. To avoid damage to the stake, place a board on top of the stake while hammering.

Note: If the ground is hard and the stake is difficult to install, make a crosscut in the ground using a flat shovel.

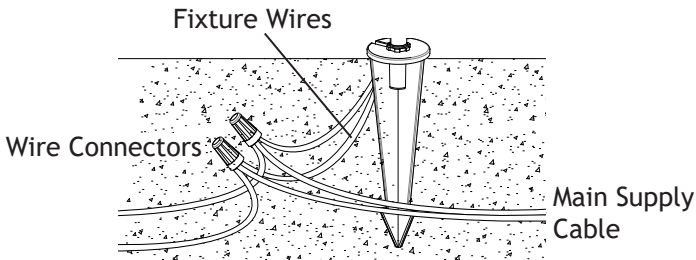


## 2 Install Fixture to Stake



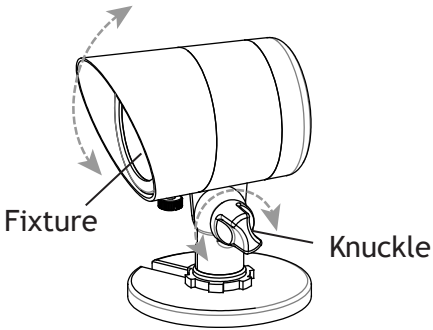
Pass the fixture wires through the open slot of the stake and thread the fixture onto the stake. Clear away an area in the ground to place the fixture wire.

## 3 Wire Connections



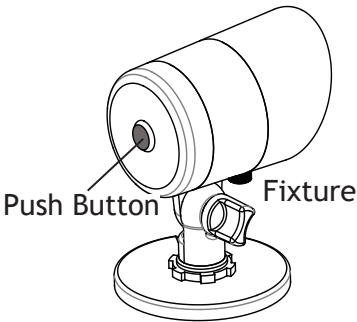
Strip both leads of the fixture wire. Using two UL listed wire connectors (sold separately), connect the leads from the fixture wire to the main supply cable leads.

## 4 Adjust Fixture Direction



Adjust the fixture to your desired direction by loosening the knuckle. Always tighten the knuckle once your desired direction is achieved.

## 5 Change the Fixture Light Output



Change the light output of the fixture by using the push button on the back. The push button has the following options:

100% (Default)---->80%---->60%---->40%---->20%---->100%(Default)

INSTALLATION INSTRUCTIONS



VOLT® Multi-Flux Integrated LED Brass Spotlight (Bronze)  
VAL-2011-4-BBZ





**Help Hotline:**

**1-813-978-3700 • Mon-Fri 8am-8pm • Sat-Sun 10am - 6pm**

[www.voltlighting.com](http://www.voltlighting.com)

Specifications and product details subject to change without notice.  
© Copyright 2022, VOLT® Lighting, Lutz FL USA 33549 • All rights reserved.  
[customersupport@voltlighting.com](mailto:customersupport@voltlighting.com) • 813.978.3700