

## INSTALLATION INSTRUCTIONS



VOLT® Low Voltage Landscape Lighting

VOLT® Brass Lanai Light

VAL-2012-BBK

**Help Hotline:**

**1-813-978-3700 • Mon-Fri 8am-8pm • Sat-Sun 10am - 6pm**

Specifications and product details subject to change without notice.

© Copyright 2022, VOLT® Lighting, Lutz FL USA 33549 • All rights reserved. [customersupport@voltlighting.com](mailto:customersupport@voltlighting.com) • 813.978.3700



**! Important: Please Read Before Installation**

This luminaire is intended for installation in accordance with local codes and the National Electric Code (NEC). Failure to adhere to these codes and instructions may result in serious injury, property damage and void the warranty.

These instructions do not intend to cover all variations in installation, operation maintenance or mounting situation.

1. Make sure the power is turned OFF before installing or servicing this luminaire.
2. **WARNING:** risk of electrical shock. Install all luminaires 10 feet (3.05M) or more from pool, spa or fountain.
3. This luminaire is intended to be used at 12V/AC.
4. Wiring connections must be made with UL listed wire connectors that are suitable for outdoor use.
5. Position the low voltage wire and UL listed wire connector so that it is located within 6 inches (15.2 cm) from a building structure, a luminaire or fitting.
6. The main low voltage cable is intended for shallow burial - less than 6 inches (152 mm).

**! Important Safety Instructions**

**INSTRUCTIONS PERTAINING TO A RISK OF FIRE, OR INJURY TO PERSONS**  
Lighted lamp is HOT!

**WARNING - TO REDUCE THE RISK OF FIRE OR INJURY TO PERSONS.**

1. Lamp gets HOT quickly!
2. Do not touch the hot lens, guard or enclosure.
3. Keep lamp away from materials that may burn.
4. Do not touch lamp at any time. Use a soft cloth. Oil from skin may damage lamp.
5. Do not operate the luminaire fitting with a missing or damaged shield.

**SAVE THESE INSTRUCTIONS**

## Package Contents

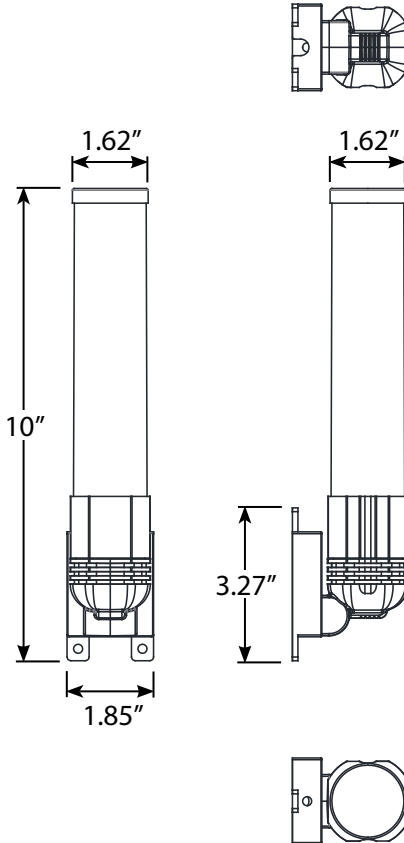
- A. (1) Fixture
- B. (3) Screws

- C. (3) Wall Anchors

## Parts Required (Sold Separately)

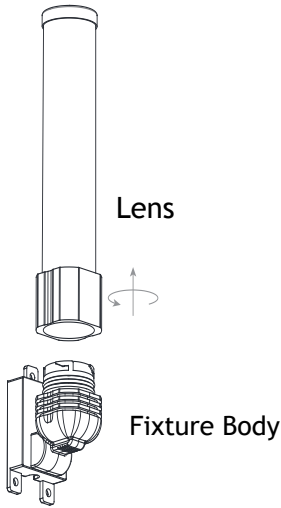
- A. (1) MR11 Bulb

## Product Dimensions



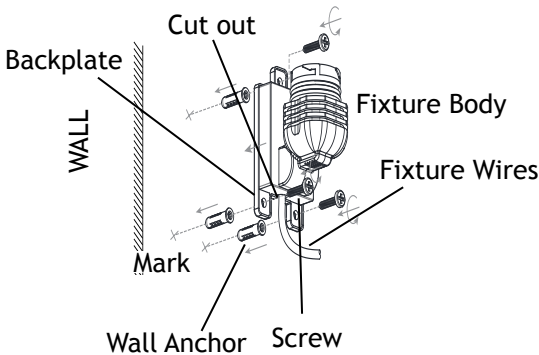


## 1 Remove Lens from Fixture



Remove the lens from the fixture body by rotating the lens counter-clockwise.

## 2 Install Fixture Body



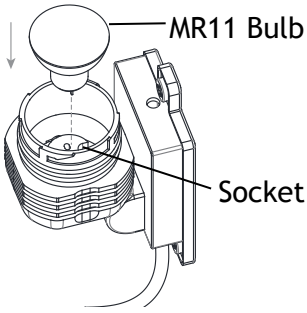
Place the fixture wires through the cut out of the backplate.

Attach the backplate onto the desired location and mark the three points on the wall surface. Drill a hole using the marks and insert the wall anchor.

Place the backplate onto the wall surface and secure by threading screws into wall anchors. Tighten with a screwdriver.

**NOTE:** This fixture can be oriented upwards or downwards.

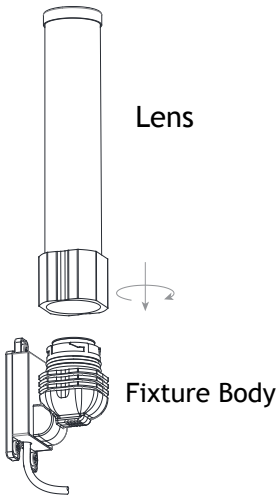
### 3 Install MR11 Bulb



Insert the MR11 bulb with the correct wattage and type marked on the fixture label.

**CAUTION:** Do not exceed maximum wattage marked on luminaire label.

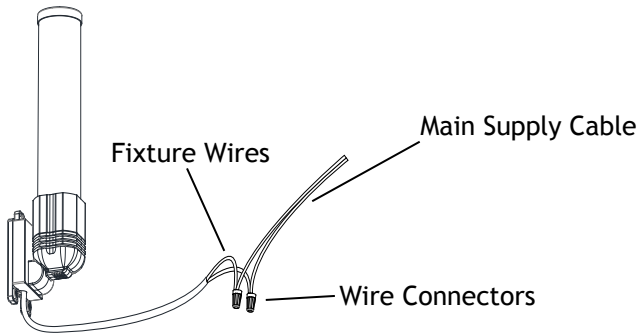
### 4 Install Lens



Install the lens to the fixture body by rotating clockwise.



## 5 Wire Connections



Strip both leads from the fixture wires. Using two UL listed wire connectors (sold separately), connect the leads from the fixture wires to the main supply cable leads.





**Help Hotline:**

**1-813-978-3700 • Mon-Fri 8am-8pm • Sat-Sun 10am - 6pm**

[www.voltlighting.com](http://www.voltlighting.com)

Specifications and product details subject to change without notice.

© Copyright 2022, VOLT® Lighting, Lutz FL USA 33549 • All rights reserved. [customersupport@voltlighting.com](mailto:customersupport@voltlighting.com) • 813.978.3700