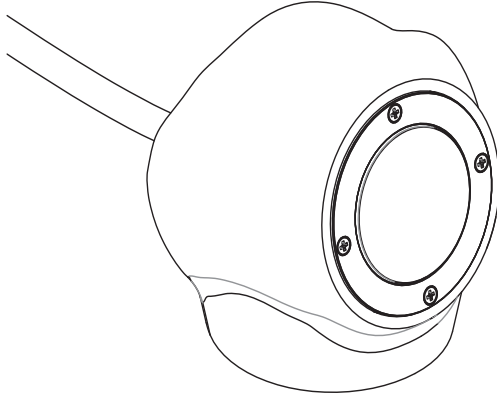


VOLT®



INSTALLATION INSTRUCTIONS

VOLT® LOW VOLTAGE LANDSCAPE LIGHTING

VOLT® MR11 Decorative Rock Light

ITEM: VAL-2050-4-BBZ-R1

1-813-978-3700 • Mon-Fri 8am-8pm • Sat-Sun 10am - 6pm (EST)

 **IMPORTANT: PLEASE READ BEFORE INSTALLATION**

This luminaire is intended for installation in accordance with local codes and the National Electric Code (NEC). Failure to adhere to these codes and instructions may result in serious injury, property damage and void the warranty.

These instructions do not intend to cover all variations in installation, operation maintenance or mounting situations.

1. Make sure that the power is turned OFF before installing or servicing this luminaire.
2. **WARNING:** risk of electrical shock. Install all luminaires 10 feet (3.05M) or more from pool, spa or fountain.
3. This luminaire is intended to be used only with a power supply (transformer) rated maximum of 300 watts (25 AMPS) at 15 volts.
4. Wiring connections must be made with UL listed wire connectors that are suitable for outdoor use.
5. Position the low voltage wire and wire connector so that it is located within 6 inches (15.2 cm) from a building structure, a luminaire or fitting.
6. The main low voltage cable is intended for shallow burial - less than 6 inches (152 mm).

 **LIGHTED LAMP IS HOT!****WARNING – TO REDUCE THE RISK OF FIRE OR INJURY TO PERSONS.**

1. Turn off/unplug and allow to cool before reducing lamp.
2. Lamp gets HOT quickly!
3. Do not touch the hot lens, guard or cowl.
4. Keep lamp away from materials that may burn.
5. Do not touch lamp at any time.
6. Use a soft cloth.
7. Oil from skin may damage lamp.
8. Do not operate the fixture with a damaged or missing lens or shield.

SAVE THESE INSTRUCTIONS

PACKAGE CONTENTS

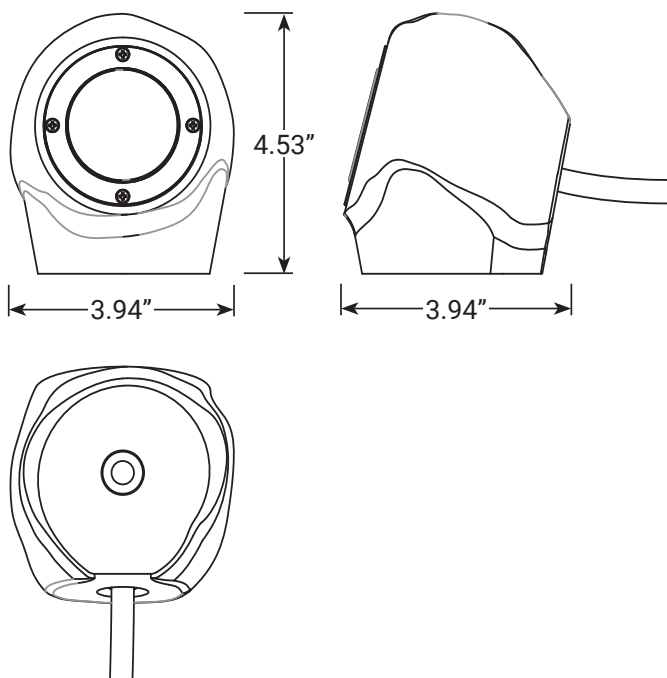
A. (1) Fixture Body

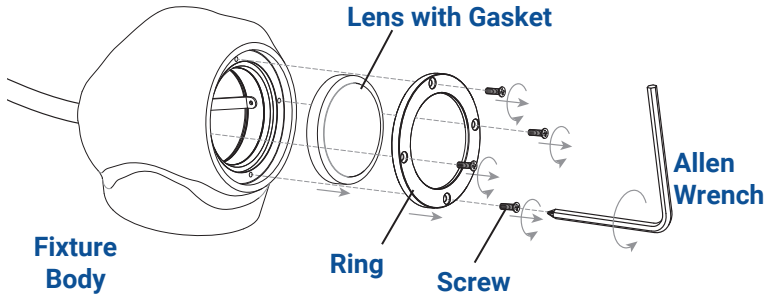
B. (1) Allen Wrench

PARTS (SOLD SEPARATELY)

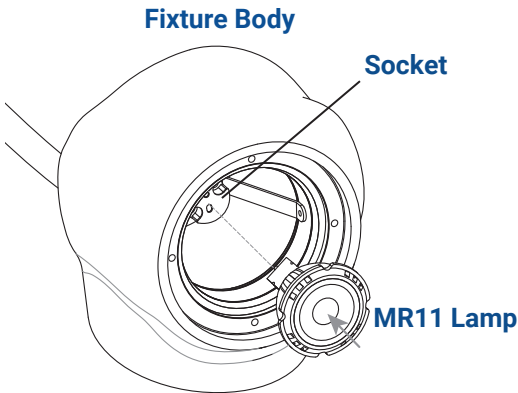
A. (1) Mounting Spike

PRODUCT DIMENSIONS



1 REMOVE RING AND LENS WITH GASKET

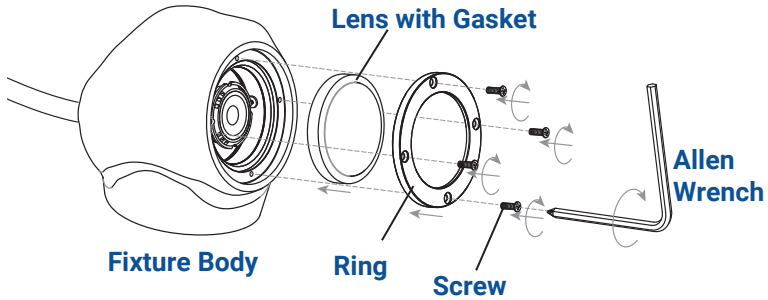
By using the screwdriver end of the Allen wrench, loosen four screws and remove them from the fixture body. Remove the ring and the lens with gasket.

2 INSTALL MR11 LAMP

Insert MR11 lamp with correct wattage and type marked on fixture label.

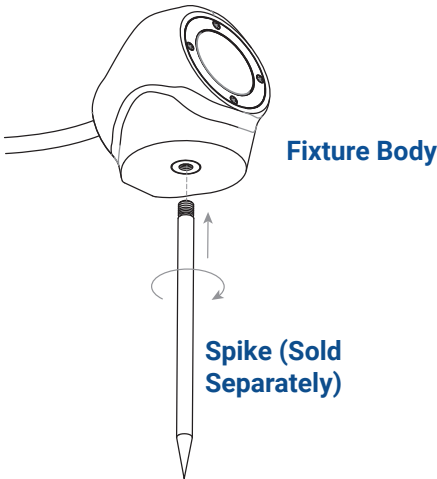
CAUTION: Do not exceed maximum wattage marked on luminaire label.

3 INSTALL LENS WITH GASKET AND RING

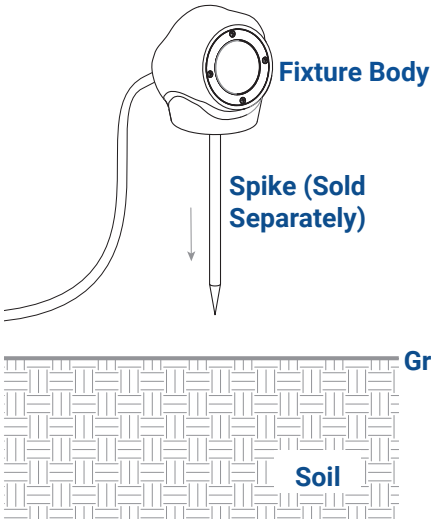


Place the lens with gasket and the ring back onto the fixture body. By using the screwdriver end of the Allen wrench, thread previously removed four screws back onto the fixture body. Hand tighten until snug.

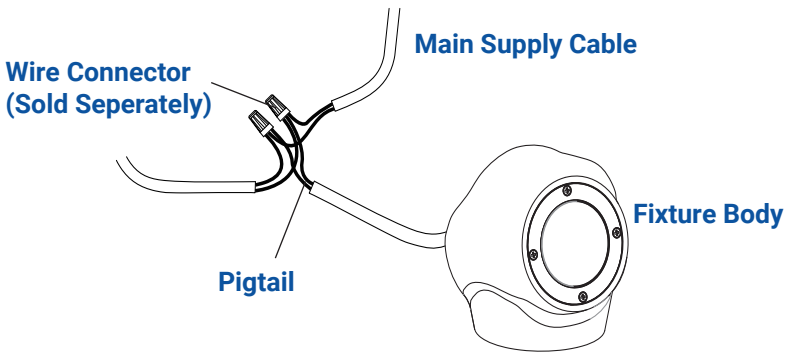
4 INSTALL SPIKE (SOLD SEPARATELY)



Thread the spike (sold separately) into the bottom of the fixture body. Hand tighten until snug.

5 INSTALL FIXTURE BODY INTO SOIL

Determine the desired location for mounting the fixture body. Insert the spike into the soil completely.

6 WIRE CONNECTIONS

Place fixture body on your desired location. Strip both leads from luminaire pigtail. Using two UL listed wire connectors (sold separately), connect the leads from the fixture body to main supply cable leads. Make this connection at least 10 feet outside of the water.

INSTALL/REPLACE MR11 LAMP

Please reverse Step 2 - Step 3 to expose the MR11 lamp and replace it with the correct wattage and type marked on the fixture label. Then, reinstall the lens with gasket and the ring.

IMPORTANT: The MR11 lamp must be protected from moisture and dust at all times. Always reinstall the lens with gasket and the ring when moved.

VOLT®

1-813-978-3700 • Mon-Fri 8am-8pm • Sat-Sun 10am - 6pm (EST)

Specifications and product details subject to change without notice.
© Copyright 2023, VOLT® Lighting, Lutz FL USA 33549 • All rights reserved.
customersupport@voltlighting.com • www.voltlighting.com