

INSTALLATION INSTRUCTIONS



VOLT® Line Voltage Landscape Lighting

VOLT® 120V 6-Outlet Outdoor Power Stake with Timer

VAC-STK-PWR-PGR

Help Hotline:

1-813-978-3700 • Mon-Fri 8am-8pm • Sat-Sun 10am - 6pm (EST)

Specifications and product details subject to change without notice.
© Copyright 2023, VOLT® Lighting, Lutz FL USA 33549 • All rights reserved.
customersupport@voltlighting.com • 813.978.3700



! Important: Please Read Before Installation

This product is intended for installation in accordance with local codes and the National Electric Code (NEC). Failure to adhere to these codes and instructions may result in serious injury, property damage and void the warranty.

These instructions do not intend to cover all variations in installation, operation maintenance or mounting situations.

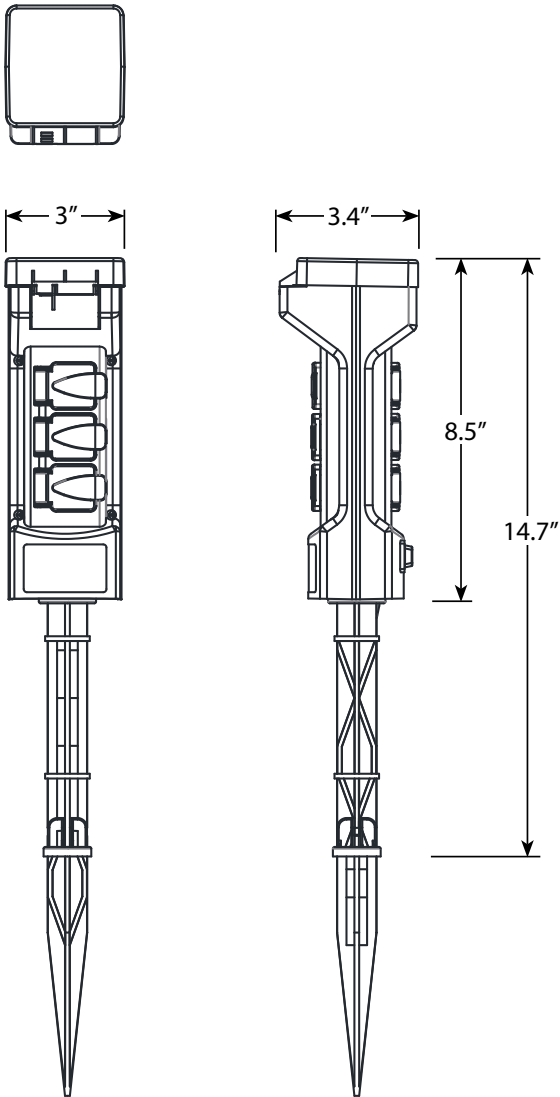
1. Make sure that the power is turned OFF before installing or servicing this product.
2. Mounting and installation of the product should be performed in accordance with applicable local laws and regulations.
3. The installer is responsible for correct and safe installation.
4. CAUTION - RISK OF FIRE. Not for permanent installation. Do not install or use this product for more than a 90-day period.
5. Use only with outdoor equipment, Christmas trees, or other seasonal decorative lighting products having a total of 12 Ampere maximum.
6. If using Christmas tree or decorative lighting products that are not marked with an Ampere rating, connect no more than 140 screw-base lamps (C7 or C9) or 12 strings with midget (push-in) lamps to this product.
7. This product shall be plugged into a GFCI-protected receptacle.
8. Do not connect or disconnect the fixture under load.
9. If using an outdoor-use cord set for an extended period of time (greater than 90 days), please consider hard wiring as a permanent outdoor-use receptacle rated for year-round use in the area that power is needed. Please contact a licensed electrician of proper installation of permanent wiring. After completion of installation, the connector shall remain a minimum of 6 inches above ground.

Package Contents

- A. (1) Outlet with Timer
- B. (1) Upper Stake

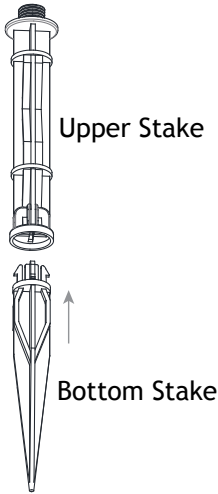
- C. (1) Bottom Stake

Product Dimensions



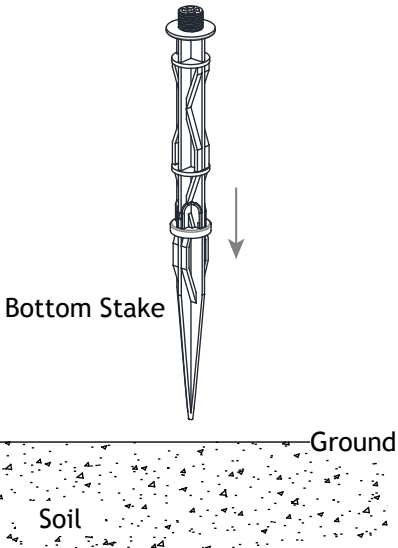


1 Connect Stakes



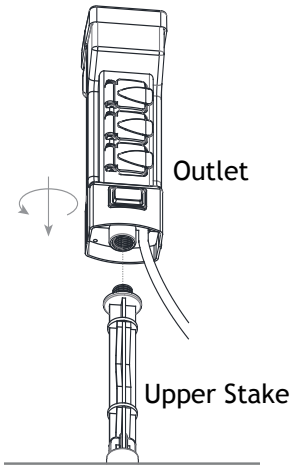
Push the bottom stake into the bottom end of the upper stake.

2 Install Stake



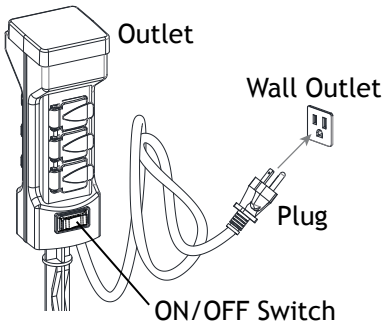
Determine the desired location for mounting the product. Insert the stake into the ground until flange of the bottom stake is flush to ground.

3 Thread Outlet to Upper Stake



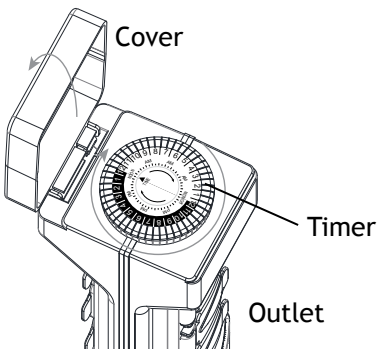
Thread the outlet onto the upper stake. Hand tighten until snug.

4 Turn On Outlet



Insert the plug of the outlet into a GFCI-protected wall outlet. Turn on the outlet by pressing the ON/OFF switch on it.

5 Set the Time

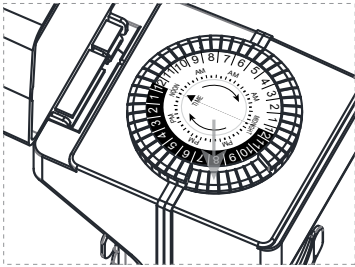


Open the cover on the top of the outlet. Adjust the timer to the current time by rotating the dial of the timer clockwise until the triangular pointer is pointing to the actual time.

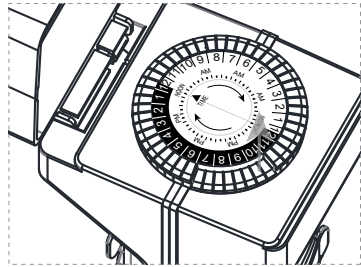


6 Setting On/Off Periods

Timer can set up to 48 ON/OFF commands (48 pins) a day. Each pin represents 30 minutes: 2 pins = 1 hour.
Push down pins that correspond to desired "ON" time.
Pull up pins that correspond to desired "OFF" time.

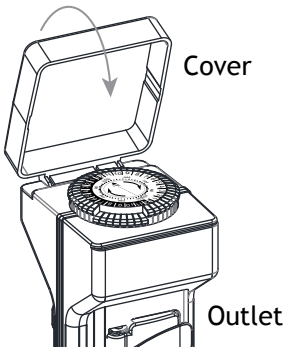


Push Down to Set "ON"
Represents timer that will come on at 7:00 PM and turn off at 11:00 PM



Pull up to Set "OFF"

7 Close Cover

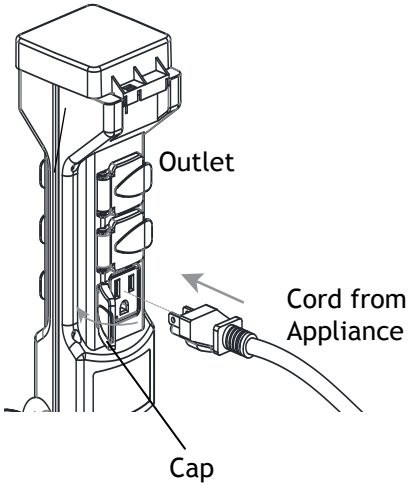


Close the cover on the top of the outlet.

IMPORTANT:

In case of loss of power (including turning the switch to "OFF" on the power stake), the timer needs to be reset using Step 5 - Step 7.

8 Connect Appliances to Outlet



Open the cap over the outlet and insert the cord from outdoor equipment, Christmas trees, or other seasonal decorative lighting into the outlet.



Help Hotline:

1-813-978-3700 • Mon-Fri 8am-8pm • Sat-Sun 10am - 6pm (EST)

www.voltlighting.com

Specifications and product details subject to change without notice.
© Copyright 2023, VOLT® Lighting, Lutz FL USA 33549 • All rights reserved.
customersupport@voltlighting.com • 813.978.3700