

INSTALLATION INSTRUCTIONS



VOLT® Low Voltage Landscape Lighting
VOLT® Wide Splash R7S Flood Light
VFL-4007-4-BBZ

Help Hotline:

1-813-978-3700 • Mon-Fri 8am-8pm • Sat-Sun 10am - 6pm (EST)

Specifications and product details subject to change without notice.
© Copyright 2019, VOLT® Lighting, Lutz FL USA 33549 • All rights reserved.
customersupport@voltlighting.com • 813.978.3700



! Important: Please Read Before Installation

This luminaire is intended for installation in accordance with local codes and the National Electric Code (NEC). Failure to adhere to these codes and instructions may result in serious injury, property damage and void the warranty.

These instructions do not intend to cover all variations in installation, operation maintenance or mounting situations.

1. Make sure the power is turned OFF before installing or servicing this luminaire.
2. WARNING: risk of electrical shock. Install all luminaires 10 feet (3.05M) or more from pool, spa or fountain.
3. This luminaire is intended to be used only with a power supply (transformer) rated maximum of 300 watts (25 AMPS) at 15 volts.
4. Wiring connections must be made with UL listed wire connectors that are suitable for outdoor use.
5. Position the low voltage wire and wire connector so that it is located within 6 inches (15.2 cm) from a building structure, a luminaire or fitting.
6. The main low voltage cable is intended for shallow burial - less than 6 inches (152 mm).
7. If additional lengths of low voltage cable are required, please contact www.voltlighting.com or call 1-813-978-3700.

! Important Safety Instructions

INSTRUCTIONS PERTAINING TO A RISK OF FIRE, OR INJURY TO PERSONS
Lighted lamp is HOT!

WARNING - To reduce the risk of FIRE OR INJURY TO PERSONS.

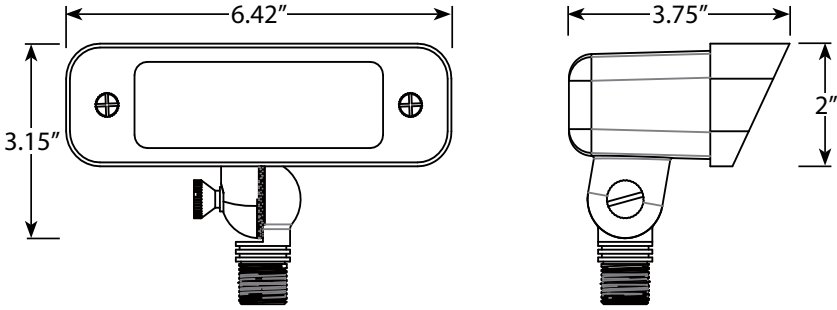
1. Turn off/unplug and allow to cool before replacing lamp.
2. Lamp gets HOT quickly! Contact only switch/plug when turning on.
3. Do not touch the hot lens, guard or enclosure.
4. Keep lamp away from materials that may burn.
5. Do not touch lamp at any time. Use a soft cloth. Oil from skin may damage lamp.
6. Do not operate the luminaire fitting with a missing or damaged shield.

SAVE THESE INSTRUCTIONS

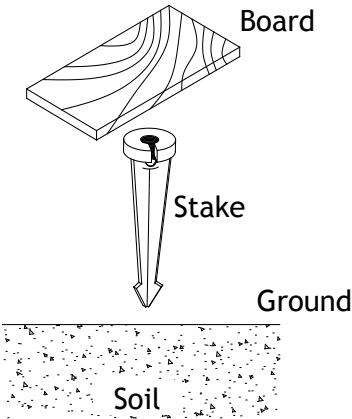
Package Contents

A. (1) Fixture Body

Product Dimensions



1 Install Stake

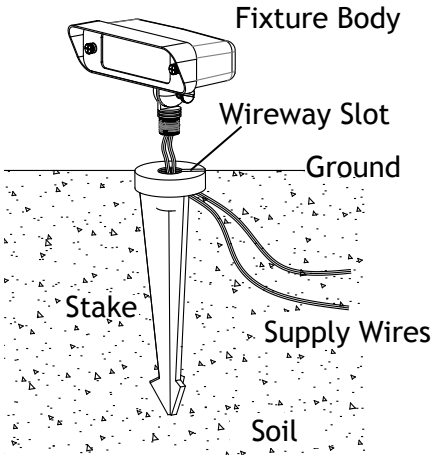


Determine the desired location for mounting the fixture. Hammer the stake into the ground until flange of stake is flush to grade. To avoid damage to the stake, place a board on top of the stake while hammering.

Note: If the ground is hard and the stake is difficult to install, make a crosscut in the ground using a flat shovel.

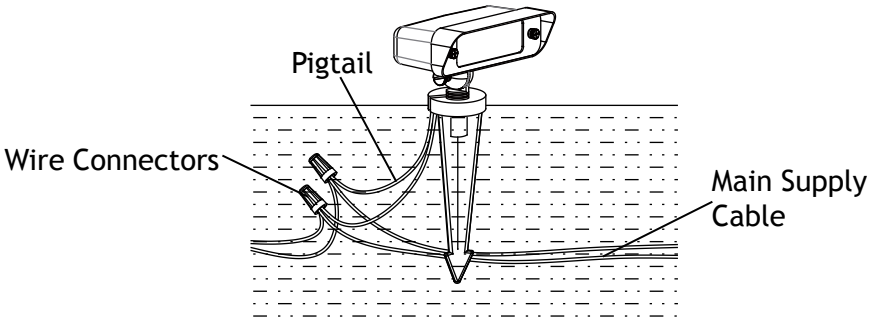


2 Install Fixture Body to Stake



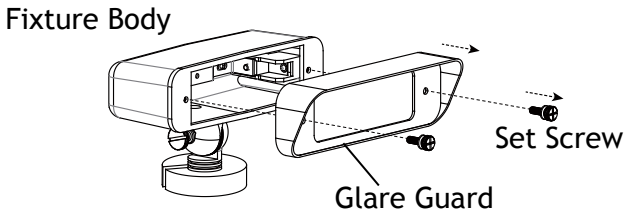
Clear away an area in the ground at the wireway slot on top of the stake. Lay the supply wires into the wireway slot and screw the fixture body on to the stake. Tighten until snug.

3 Wire Connection



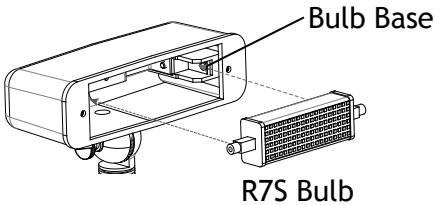
Strip both leads from the luminaire pigtail. Using two wire connectors (sold separately), connect the leads from the luminaire to the main supply cable leads.

4 Remove Glare Guard



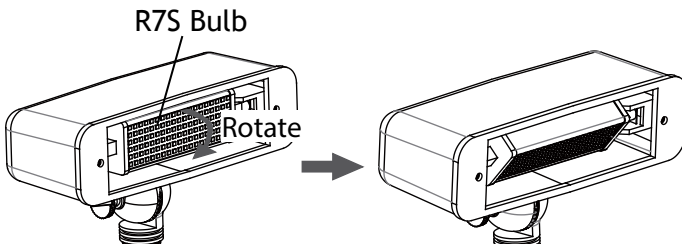
Loosen the set screws and remove the glare guard from the fixture body.

5 Install R7S Bulb



Insert the R7S bulb with the correct wattage and type marked on the fixture label and push into place.

CAUTION: Do not exceed maximum wattage marked on luminaire label.

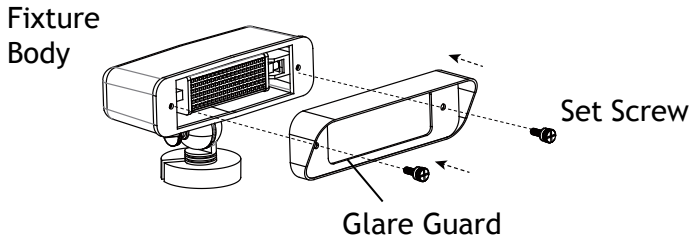


Before installing the glare guard back onto the fixture, adjust the R7S bulb.

Rotate the bulb inside its socket towards the back of the fixture to decrease the light output. To return to the normal lumen output, rotate the bulb towards the lens.

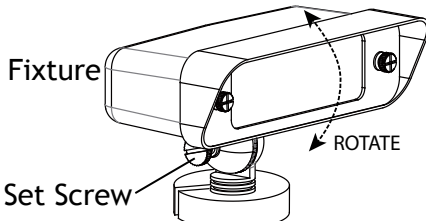


6 Install Glare Guard



Then place the glare guard back onto the fixture body and secure with the previously removed set screws. Hand tighten until snug.

7 Adjust Fixture Direction



Loosen the set screw and adjust the fixture to the desired direction. Once the desired direction is achieved, tighten the set screw until snug.

Install/Replace Bulb

Remove the glare guard to expose the R7S bulb and replace it with the correct wattage and type marked on the fixture label. Then, reinstall the glare guard.

IMPORTANT: R7S bulb must be protected from moisture and dust at all times. Always reinstall the glare guard when removed.



Help Hotline:

1-813-978-3700 • Mon-Fri 8am-8pm • Sat-Sun 10am - 6pm (EST)

www.voltlighting.com

Specifications and product details subject to change without notice.
© Copyright 2019, VOLT® Lighting, Lutz FL USA 33549 • All rights reserved.
customersupport@voltlighting.com • 813.978.3700