

## INSTALLATION INSTRUCTIONS



VOLT® Line Voltage Landscape Lighting  
VOLT® 120V LED Flood Light with Knuckle  
VFL-451X-LI-ABZ

---

### Help Hotline:

1-813-978-3700 • Mon-Fri 8am-8pm • Sat-Sun 10am - 6pm (EST)

Specifications and product details subject to change without notice.  
© Copyright 2021, VOLT® Lighting, Lutz FL USA 33549 • All rights reserved.  
customersupport@voltlighting.com • 813.978.3700



## Important: Please Read Before Installation

1. This LED floodlight uses the latest in solid state lighting technology for long life, low maintenance, and high efficiency.
2. An internal power-factor-corrected switch mode supply allows this fixture to be used from any nominal 90V-277VAC, 60Hz supply without any variation in light output.
3. Suitable for use in:
  - a. Ambient Temperatures of: -20--45° C (-4--113° F)
  - a. Wet Locations
4. INSTALLATION OR ASSEMBLY INSTRUCTIONS.

Note: Save these instructions for future reference.

## Important Safety Instructions

To avoid the risk of fire, explosion, or electric shock, this product should be installed, inspected, and maintained by a qualified electrician only, in accordance with all applicable electrical codes.

To avoid electric shock:

1. Be certain electrical power is OFF before and during installation and maintenance.
2. Luminaire must be connected to a wiring system with an equipment-grounding conductor.

To avoid explosion:

1. Make sure the supply voltage is the same as the rated luminaire voltage.
2. Do not install where the marked operating temperatures exceed the ignition temperature of the hazardous atmosphere.
3. Do not operate in ambient temperatures above those indicated on the luminaire.

For supply connections use wire rated for at least 90° C (194° F)

**Warning: These luminaires should ONLY be installed by a qualified electrician.**

## Package Contents

- A. (1) Fixture body

## Parts Required

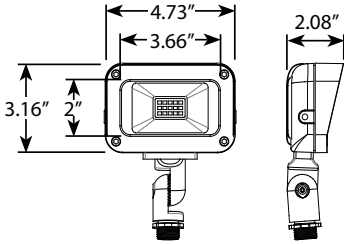
- A. (1) Mounting Accessory (Sold Separately)

## Products Model #

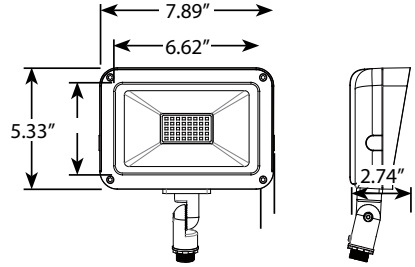
Model No.	Input Voltage (VAC)	Frequency (Hz)	Input Current (A)	Power (W)
10W Flood Light	90-277	60	0.25	10
30W Flood Light	90-277	60	0.75	30
50W Flood Light	90-277	60	1	50



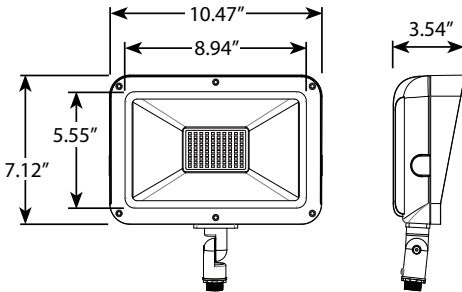
**Product Dimensions**



120VAC, 10W



120VAC, 30W

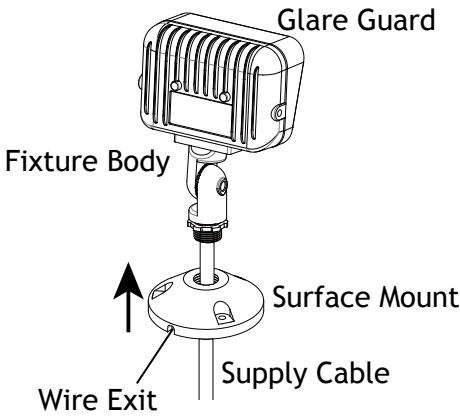


120VAC, 50W

Two installation methods are provided for this fixture:  
Surface Mount- Page 5  
Stake Mount- Page 6

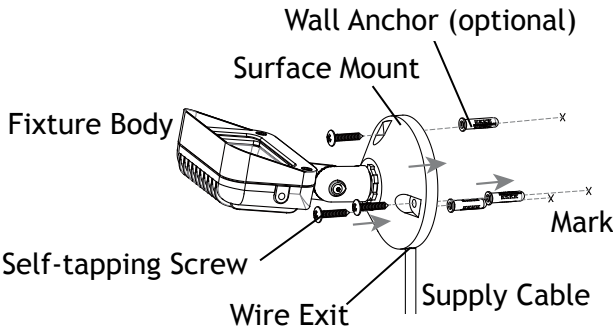
## Option 1: Surface Mount

### 1 Install Surface Mount to Fixture body



Pass supply cable through the center hole of the surface mount. Then thread the surface mount onto the fixture body. Make sure the wire exit on the surface mount and the glare guard are in the opposite direction after installation.

### 2 Install Fixture Body to Mounting Surface



*Mounting Surface*

Place the supply cable in the wire exit. Then attach the surface mount with the fixture body to the mounting surface and secure with self-tapping screws using a screwdriver to tighten.

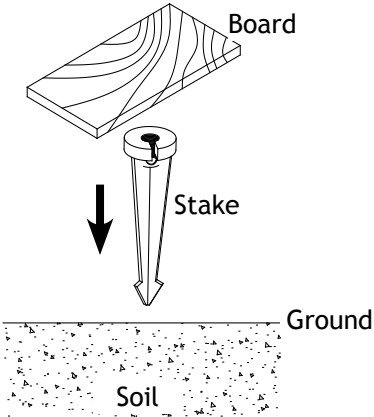
NOTE: Wall anchors are required for brick walls or concrete walls. To determine anchor locations, place the surface mount onto your desired location and mark points using the hole on the surface mount as a guide.

Go to the Step 3 - Step 4 for wiring connections and direction adjustment.



Option 2: Stake Mount

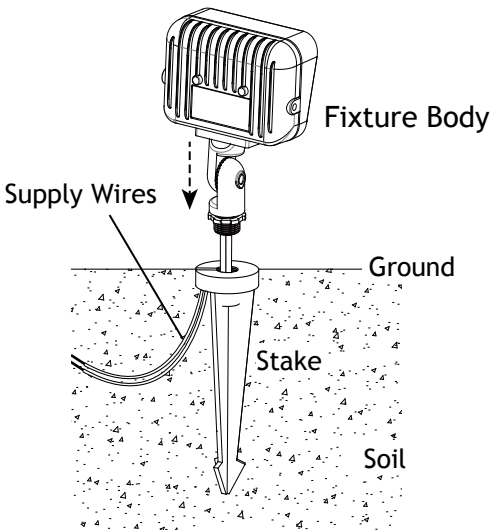
**1 Install Stake**



Determine the desired location for mounting the stake. Hammer the stake into the ground until flange of stake is flush to grade. To avoid damage to the stake, place a board on top of the stake while hammering.

Note: If the ground is hard and the stake is difficult to install, make a crosscut in the ground using a flat shovel.

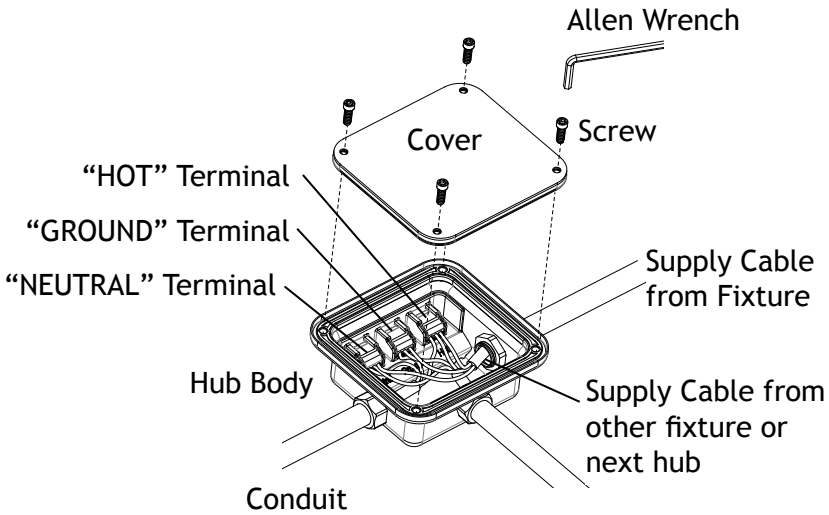
**2 Install Fixture Body to Stake**



Pass the supply wires through the center hole of the stake and thread the fixture body onto the stake. Hand tighten until snug. Clear away an area in the ground and lay the supply wires into the stake's wire exit.

Go to the Step 3 - Step 4 for wiring connections and direction adjustment.

### 3 Wire Connections

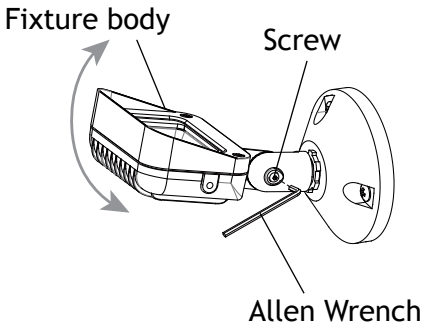


By using the Allen wrench, unlock screws and remove the cover from the hub body.

Insert the main supply cable, fixture supply cable, other fixture supply cable or next hub supply cable into the hub body from the different conduit. Strip both ends of supply cables. Insert the ends of neutral wires into the "NEUTRAL" block. Insert the ends of line wires into the "HOT" block. Insert the ends of ground wires into the "GROUND" block. Push each wire into place.

Place the cover back onto the hub body and secure with previously removed screws. Hand tighten until snug with Allen wrench.

### 4 Adjust Fixture Body Direction



Using the Allen wrench, unscrew the screw on the knuckle and adjust the fixture body to your desired direction. Once your desired direction is achieved, tighten the knuckle down with the Allen wrench.



**Help Hotline:**

**1-813-978-3700 • Mon-Fri 8am-8pm • Sat-Sun 10am - 6pm (EST)**

[www.voltlighting.com](http://www.voltlighting.com)

Specifications and product details subject to change without notice.  
© Copyright 2021, VOLT® Lighting, Lutz FL USA 33549 • All rights reserved.  
[customersupport@voltlighting.com](mailto:customersupport@voltlighting.com) • 813.978.3700