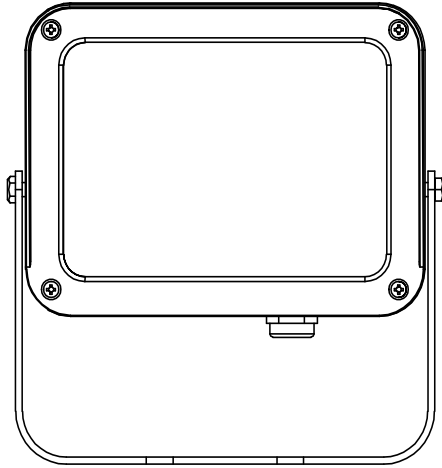


VOLT®



INSTALLATION INSTRUCTIONS

VOLT® LOW VOLTAGE LANDSCAPE LIGHTING

VOLT® 12V 27W RGBCW Integrated LED Flood Light with Yoke
Mount

ITEM: VFL-4522

1-813-978-3700 • Mon-Fri 8am-8pm • Sat-Sun 10am - 6pm (EST)

 **IMPORTANT: PLEASE READ BEFORE INSTALLATION**

This luminaire is intended for installation in accordance with local codes and the National Electric Code (NEC). Failure to adhere to these codes and instructions may result in serious injury, property damage and void the warranty.

These instructions do not intend to cover all variations in installation, operation maintenance or mounting situations.

1. Make sure that the power is turned OFF before installing or servicing this luminaire.
2. **WARNING:** risk of electrical shock. Install all luminaires 10 feet (3.05M) or more from pool, spa or fountain.
3. This luminaire is intended to be used only with a power supply (transformer) rated maximum of 300 watts (25 AMPS) at 12V AC.
4. Wiring connections must be made with UL listed wire connectors that are suitable for outdoor use.
5. Position the low voltage wire and wire connector so that it is located within 6 inches (15.2 cm) from a building structure, a luminaire or fitting.
6. The main low voltage cable is intended for shallow burial - less than 6 inches (152 mm).

 **IMPORTANT SAFETY INSTRUCTIONS****INSTRUCTIONS PERTAINING TO A RISK OF FIRE, OR INJURY TO PERSONS
LIGHTED LAMP IS HOT!****WARNING – TO REDUCE THE RISK OF FIRE OR INJURY TO PERSONS.**

1. Turn off/unplug and allow to cool before replacing lamp.
2. Lamp gets **HOT** quickly! Contact only switch/plug when turning on.
3. Do not touch the hot lens, guard or enclosure.
4. Keep lamp away from materials that may burn.
5. Do not touch lamp at any time. Use a soft cloth. Oil from skin may damage lamp.
6. Do not operate the luminaire fitting with a missing or damaged shield.

SAVE THESE INSTRUCTIONS

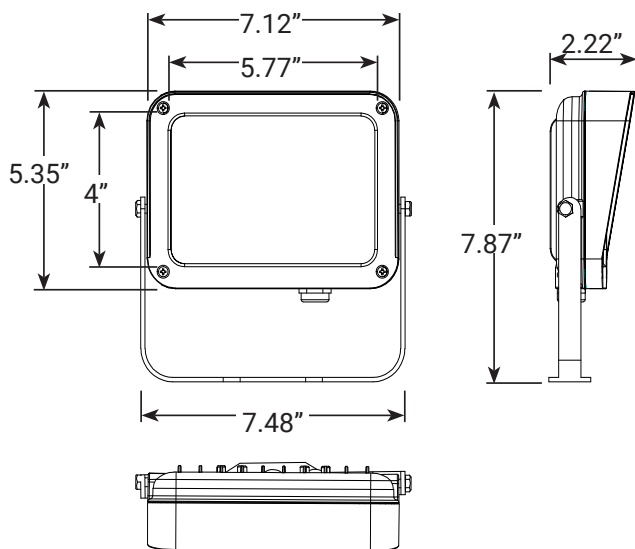
PACKAGE CONTENTS

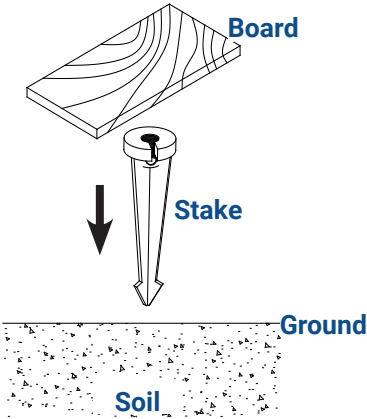
- A. (1) Fixture Body

PARTS REQUIRED (SOLD SEPARATELY)

- A. (1) Mounting Accessory
- B. (1) Coupler
- C. (1) Remote Controller
- D. (1) Hex Nut
- E. (2) AAA Batteries

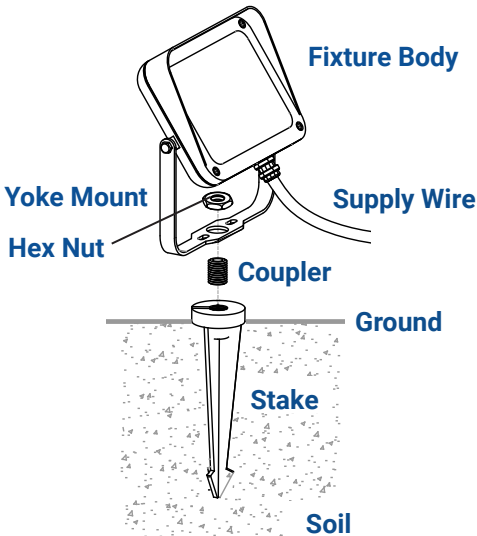
PRODUCT DIMENSIONS



1 INSTALL STAKE

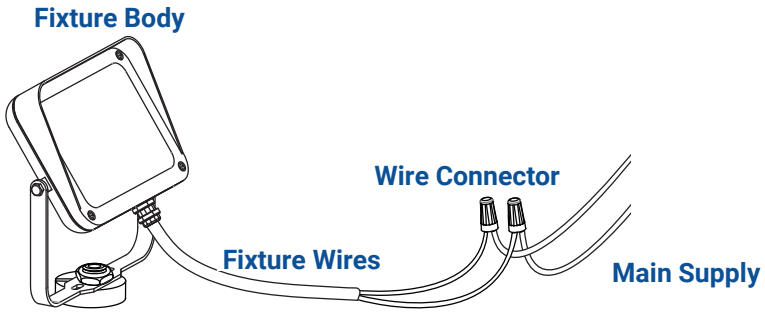
Determine the desired location for mounting the stake. Hammer the stake into the ground until flange of stake is flush to grade. To avoid damage to the stake, place a board on top of the stake while hammering.

Note: If the ground is hard and the stake is difficult to install, make a crosscut in the ground using a flat shovel.

2 INSTALL FIXTURE BODY TO STAKE

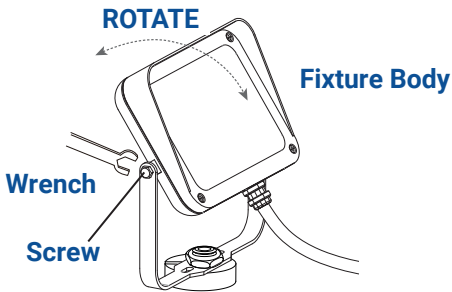
Thread the coupler onto the stake. Place the yoke mount of the fixture body over the coupler and secure with the hex nut.

3 WIRE CONNECTIONS



Strip both leads from the fixture wires. Using two UL listed wire connectors (sold separately), connect the leads from the fixture wires to the main supply cable leads.

4 ADJUST FIXTURE BODY DIRECTION



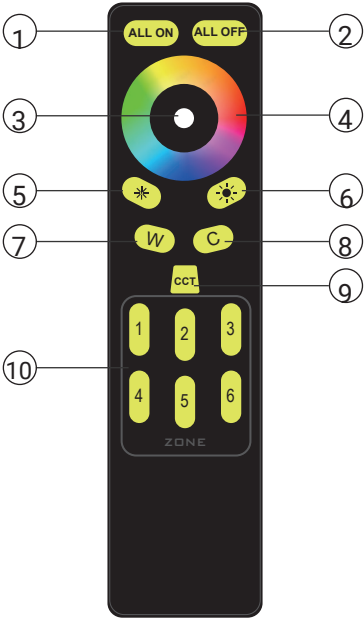
Adjust the fixture body to the desired orientation and tighten the screws with the wrench.




After installation,

- A. Check to make sure the fixture is mounted properly.
- B. Check to make sure the wires are connected properly.

Last, turn on the power and check if the lighting fixture works. If not, turn off the power and contact your local electrician.

REMOTE CONTROLLER INSTRUCTIONS



| No. | Button Name | Function Description |
|-----|---|---|
| 1 | ALL ON | Turns on all lights which are controlled by this remote that are within range. |
| 2 | ALL OFF | Turns off all lights which are controlled by this remote that are within range. |
| 3 | Indicator | Illuminates red when any button is pressed to indicate signal transmission. |
| 4 |  | RGB color wheel. Touch the desired color to change the light fixture within the selected zone and within range to that color. |
| 5,6 |   | Decrease or increase the light fixture brightness on the selected zone and within range by pressing the corresponding button. |

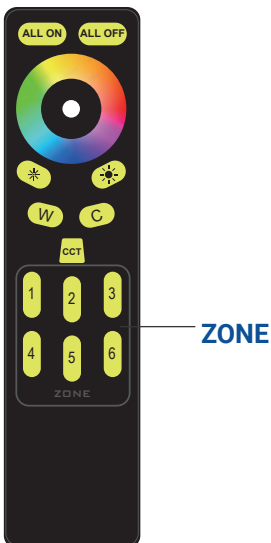
| No. | Button Name | Function Description |
|-----|---------------------|--|
| 7 | W | Adjusts the light to a warmer color temperature (CCT). Short press for increments, long press for continuous adjustment. |
| 8 | C | Adjusts the light to a cooler color temperature (CCT). Short press for increments, long press for continuous adjustment. |
| 9 | CCT | Color temperature (CCT) selector. Toggles though 2200K-2700K-3000K-4000K CCT when pressing. |
| 10 | ZONE 1,2,3,4,5,6 | Zone selection button. Press to select desired zone. |

1 INSTALL AAA BATTERIES



Open the battery cover, install two AAA 1.5V batteries into the battery compartment. Pay attention to the “+”/“-” polarities of the battery when installing. Always reinstall the battery cover after installing AAA 1.5V batteries.

2 PAIR CODES



All products default to a factory setting. The lights must be paired by the remote controller before using them.

1. Install light(s).
2. Power the light(s) on. The light(s) will blink between warm and cool light for 30 seconds indicating pairing mode.
3. While the light(s) are in pairing mode, press the desired zone number on the remote once to pair the light fixture(s) with that zone. Cool white light (4000K) will flash three times indicating that the fixture is paired successfully with the zone. The light(s) will turn to warm white light (2200K).

2 PAIR CODES (CONTINUED)

4. Using the same process you can pair additional fixtures to the same or different zones.

Note:





1. Please ensure light(s) are within range of the remote controller.
2. If zone pairing fails, power the light(s) OFF and ON, then repeat the above steps.
3. If pairing operation is not completed within 30 seconds, the lights will return to their default static cool white CCT (4000K). Once in this state, whenever the light(s) are powered OFF and back ON, the light(s) will re-initiate pairing mode for 30 seconds. This process will continue until pairing is successful.
4. The RF bulb(s) or fixture(s) can be paired with a maximum of 4 remote controllers. Power the light(s) OFF and ON and within 30 seconds the bulbs and fixtures can be paired with another remote controller by pressing the desired zone number. The fixture will flash cool white light (4000K) once after successful pairing. The bulb(s) or fixture(s) can be controlled by any of the paired remote controllers.
5. If more than four remote controllers are paired to the lights successfully, the first remote controller will be unpaired automatically. Only the last four remote controllers are functional.

3 ADJUST BRIGHTNESS



1. Select the desired lights by pressing the zone to which they have been assigned.
2. Press the brightness increase button to increase the light brightness, or press the brightness decrease button to decrease the light brightness.

Note:

1. Press the  or  button once and the brightness will adjust one level.
2. Long press the  or  button, and the brightness will gradually increase or decrease until the button is released.

4 ADJUST COLOR TEMPERATURE

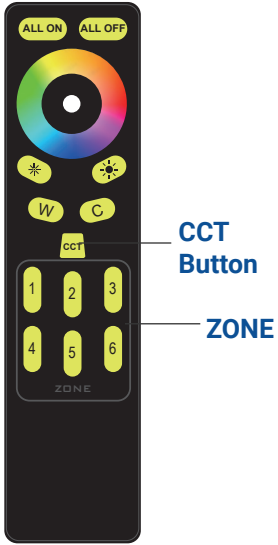


1. Select the lights by pressing the zone they are in.
2. Press the warm light button or cool light button to the desired color temperature.

Note:

1. Press the warm light button or cool light button once, the color temperature will adjust to the next level.
2. Long press the warm light button or cool light button, the color temperature will gradually increase or decrease until the button is released.

5 QUICK COLOR TEMPERATURE ADJUSTMENT



The preset color temperatures of the CCT button are 2200K, 27000K, 3000K and 4000K.

1. Select the lights by pressing the zone they are in.
2. Press the CCT button to adjust the lights through 2200K-2700K-3000K-4000K color temperatures.

6 ADJUST COLOR



Use the RGB Palette wheel to select colored light modes and "W", "C", or "CCT" buttons to select white light modes.

1. For white light, press the warm light button or cool light button to adjust the white light color temperature.
2. For color light, touch the RGB palette wheel to adjust the light color.

7 CONTROL BY GROUP OR CONTROL ALL

All ON



ZONE
(Group)

1. **To control lights by group,** Select the lights by pressing the zone they are in. And then press respective function buttons to adjust the lights.

8 UNPAIR LIGHTS

All ON



ZONE

If you need to re-pair the light(s) that have already been paired to a different zone, they must be unpaired first.

1. **To unpair lights by group,** turn off the light(s) that are required to be unpaired and then back on. Select the light(s) by pressing the zone they are in. Press the corresponding zone button 6 times.
2. **To unpair all lights,** turn off all lights and then turn on all lights. Press the all "ON" button 6 times.
3. After pressing six times, the

corresponding lights will flash three times and then turn off, indicating that unpairing is complete. Now the lights will be restored to the factory settings.

Note:

1. When the lights are ready for unpairing, you must only press zone button 1 to 6 in the zone area or "ON" button. Otherwise, unpairing will fail.
2. If unpairing fails, the process needs to be re-initiated.

VOLT®

1-813-978-3700 • Mon-Fri 8am-8pm • Sat-Sun 10am - 6pm (EST)

Specifications and product details subject to change without notice.
© Copyright 2023, VOLT® Lighting, Lutz FL USA 33549 • All rights reserved.
customersupport@voltlighting.com • www.voltlighting.com