

INSTALLATION INSTRUCTIONS



VOLT® Grow Light

VGTL-DS-630 & VGTL-FS-630

Help Hotline:

1-813-978-3700 • Mon-Fri 8am-8pm • Sat-Sun 10am - 6pm (EST)

Specifications and product details subject to change without notice.
© Copyright 2022, VOLT® Lighting, Lutz FL USA 33549 • All rights reserved.
customersupport@voltlighting.com • 813.978.3700



! Important: Please Read Before Installation

This luminaire is intended for installation in accordance with local codes and the National Electric Code (NEC). Failure to adhere to these codes and instructions may result in serious injury, property damage and void the warranty.

These instructions do not intend to cover all variations in installation, operation maintenance or mounting situations.

1. To prevent damage to the fixture, avoid touching or direct contact with the LED chips. Failure to follow this warning may results in product failure or void the warranty.
2. Mounting and installation of the LED fixture should ONLY be performed by a qualified electrician or certified professional, in accordance with applicable local laws and regulations.
3. The installer is responsible for correct and safe installation.
4. Ensure local electrical wire can support voltage and current requirements of the LED fixture.
5. Avoid coiled cords and keep main leads separated to prevent electromagnetic interference.
6. Do not connect or disconnect the LED fixture under load.
7. Mount to a structure that can support the weight of the LED fixture.
8. Ensure external switching gear can support the inrush current of the LED fixture. Always use a double pole contactor that is suitable for switching a capacitive load. Never use household timer to switch the LED fixture.
9. Ensure power cords and controller cables do not touch the LED rails after assembly.

! Important Safety Instructions

INSTRUCTIONS PERTAINING TO A RISK OF FIRE, OR INJURY TO PERSONS **Lighted lamp is HOT!**

WARNING - To reduce the risk of FIRE OR INJURY TO PERSONS.

1. Do not connect or disconnect the power cable to the LED fixture while under load.
2. Do not open or disassemble the LED fixture, it contains no serviceable parts inside. Opening or modifying the LED fixture can be dangerous and will void the warranty.

3. This product may cause interference to radio equipment and should not be installed near maritime safety communications equipment or other critical navigation or communication equipment operating between 0.45 - 30 MHz.
4. Do not use the LED fixture when either the LED fixture or its power cord are damaged. Replace the power cord only with original certified cords.
5. Modifications to the cords can lead to unwanted electromagnetic effects, which makes the product not comply with legal requirements.
6. Do not expose the LED fixture to:
 - a. ambient temperature outside the specified range;
 - b. dust and contamination;
 - c. direct sunlight during use or HID light that could heat up the ballast.
7. Store the LED fixture in a dry and clean environment, with an ambient temperature of -4-180°F (-20-80°C).
8. Always disconnect the LED fixture from mains before performing any maintenance.
9. Always allow for a cool down period of at least 30 minutes before touching the LED rails. Touching the LED rails when the fixture is lit or immediately afterwards can result in severe burns!
10. Do not use the LED fixture near flammable, explosive or reactive substances. Do not use sulfur vaporizers.
11. The installation and use of the LED fixture is the responsibility of the end user. Incorrect use or installation can lead to failure and damage to the LED fixture. Damage to the LED fixture and electronic circuitry as a result of incorrect installation and use revokes the warranty.
12. Regularly check the LED fixture for dust or dirt buildup. Clean if necessary. Contamination may cause overheating and decreased performance. Clean the outside of the LED fixture using a dry or damp cloth.
13. Regularly check the cables of the LED fixture to ensure it is undamaged.
14. These photobiological safety markings are based on testing of the light output characteristic of a single horticultural luminaire. Increased exposure risk to facility personnel may be present depending upon the number of horticultural luminaires and their placement and/or positioning within the plant growth facility.
It is the responsibility of the plant growth facility to address these risks at the facility level and to ensure that people entering the plant growth areas while the lights are on, are aware of these risks and that appropriate safeguards are in place.



! Important UL Warnings

1. Required minimum 15cm distance between adjacent lighting equipment and between the lighting equipment and combustible material such as walls, ceilings, movable partitions, and the like; and between lighting equipment and other heat generating equipment.
2. SUITABLE FOR OPERATION IN AMBIENT NOT EXCEEDING 40 °C.
3. A mechanical ventilation or cooling system is required to maintain the temperature within the growing space below 40°C when the horticultural luminaire is in operation.
4. SUITABLE FOR DAMP LOCATIONS.
 - a. Are not concealed or extended through a wall, floor, ceiling, or other parts of the building structure;
 - b. Are not located above a suspended ceiling or dropped ceiling;
 - c. Are not permanently affixed to the building structure;
 - d. Are routed so that they are not subject to strain and are protected from physical damage;
 - e. Are visible over their entire length; and
 - f. Are used within their rated capacity as determined for the maximum temperature of the installed environment specified in the instructions.
5. THIS PRODUCT MUST BE INSTALLED IN ACCORDANCE WITH THE APPLICABLE INSTALLATION CODE BY A PERSON FAMILIAR WITH THE CONSTRUCTION AND OPERATION OF THE PRODUCT AND THE HAZARDS INVOLVED.
6. Make sure below ELECTRICAL RATINGS are well followed:

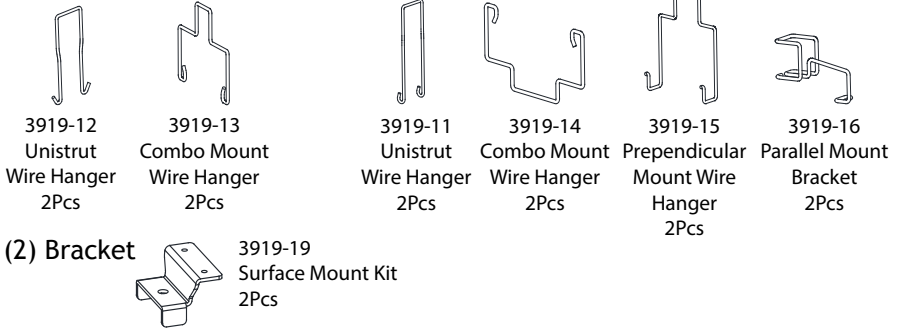
Input Ratings				Photobiological rating
Voltage (VAC)	Frequency (Hz)	Max. Current (A)	Wattage (W)	
120-277	50/60	5.78	630	Risk group 2
347-480	50/60	2	630	Risk group 2

7. Warning:

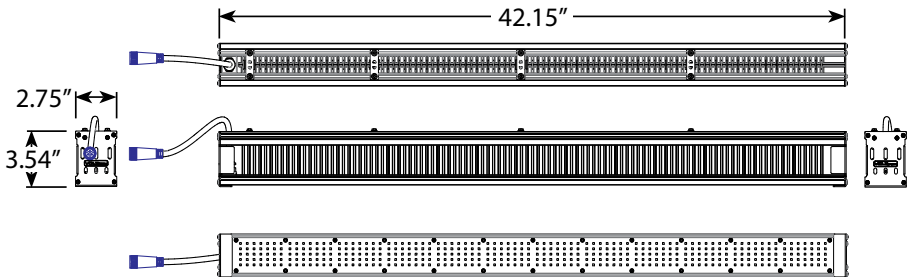
RISK GROUP 2
CAUTION
UV emitted from this product. Eye or skin irritation may result from exposure. Use appropriate shielding.
<i>Product tested against IEC62471</i>

Package Contents

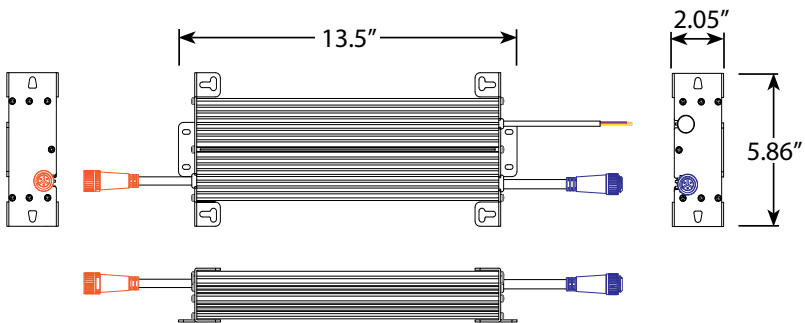
- A. (1) Grow Light
- B. (1) Driver Assembly
- C. (4) Lock Screws
- D. (2) Self-tapping Screws
- E. (1) AC Power Cable
- F. (4) Cable Ties
- G. (4) Driver Hangers ---
2 pcs of each kind
- H. (8) Fixture Hangers --- 2 pcs of
each kind



Product Dimensions



Grow Light



Driver



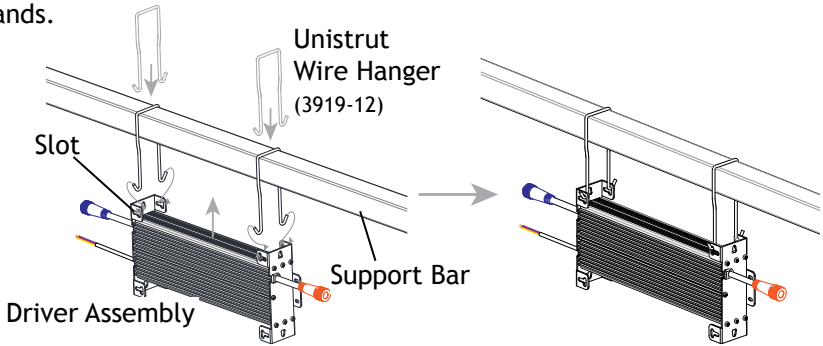
Install Driver Assembly

There are 3 installation options available, please refer to the following installation instructions.

1 Option 1 - Unistrut Wire Hanger (3919-12)

Attach two unistrut wire hangers (3919-12) onto the support bar. Lift the driver assembly up to the support bar and attach the unistrut hooks (3919-12) to the holes of the driver assembly as shown. The driver assembly will be secure with two unistrut wire hangers (3919-12).

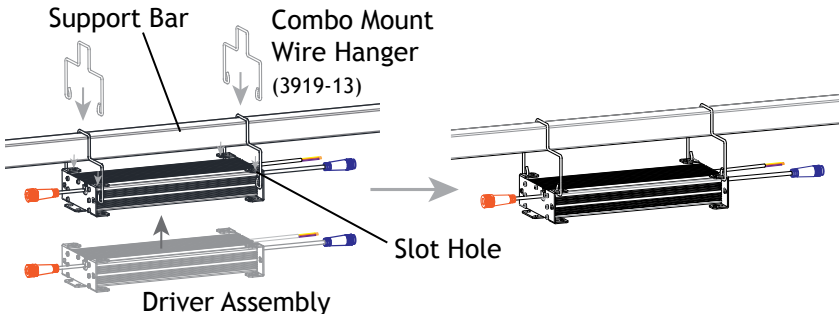
Make sure the driver assembly is secured safely before releasing your hands.



1 Option 2 - Combo Mount Wire Hanger (3919-13)

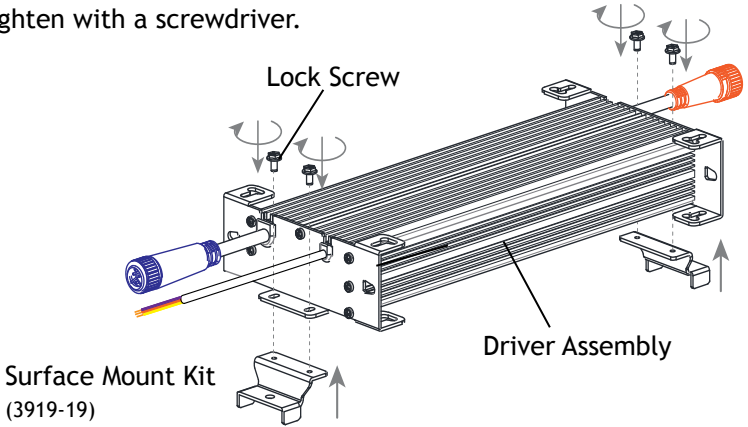
Attach two combo mount wire hangers (3919-13) onto the support bar. Lift the driver assembly up to the support bar and attach the combo mount wire hangers (3919-13) to the holes of the driver assembly as shown. The driver assembly will be secure with two combo mount wire hangers (3919-13).

Make sure the driver assembly is secured safely before releasing your hands.

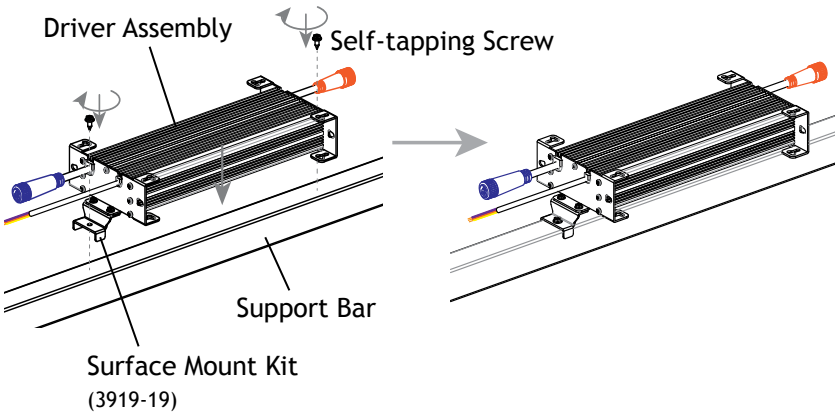


1 Option 3 - Surface Mount Kit (3919-19)

- A. Attach the surface mount kit (3919-19) onto the driver assembly and secure with the lock screws. Hand tighten with a screwdriver.



- B. Place the above assembly onto the support bar and secure with self-tapping screws.





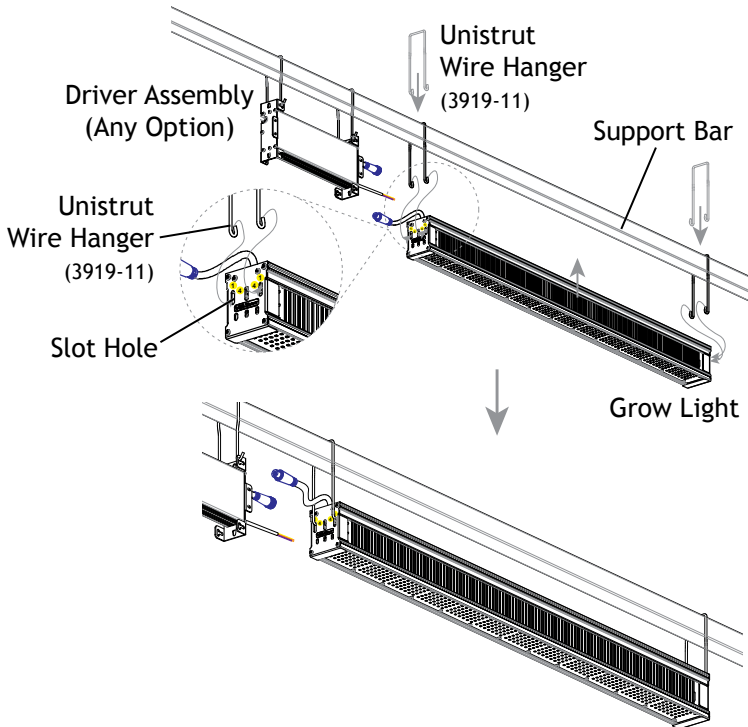
Install Grow Light

There are 5 installation options available, please refer to the following installation instructions.

1 Option 1 - Unistrut Wire Hanger (3919-11)

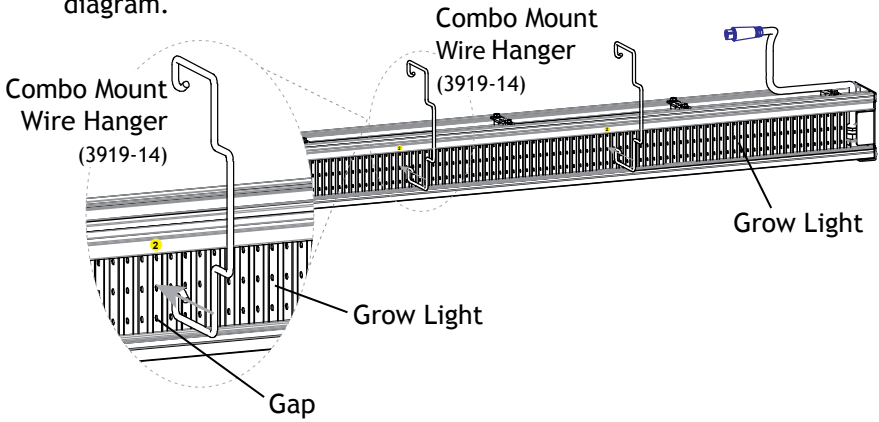
Install the grow light next to the driver assembly using any of the above 3 options.

Attach two unistrut wire hangers (3919-11) onto the support bar. Lift the grow light up toward the support bar. Attach the hooks at the ends of unistrut wire hangers (3919-11) to the holes on the end of the grow light as shown. The holes are marked with “1” in the below sketch diagram. The grow light will be secure with two unistrut wire hangers (3919-11).

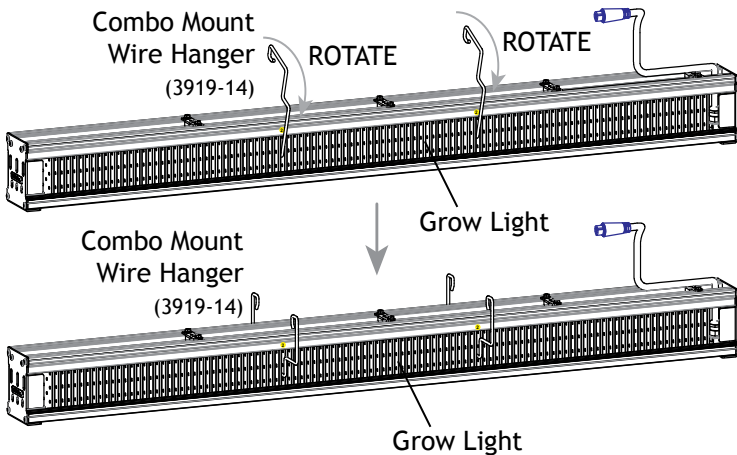


1 Option 2 - Combo Mount Wire Hanger (3919-14)

- A. Insert one end of the combo mount wire hanger (3919-14) into the gap on the grow light, which is marked with “2” on the below sketch diagram.



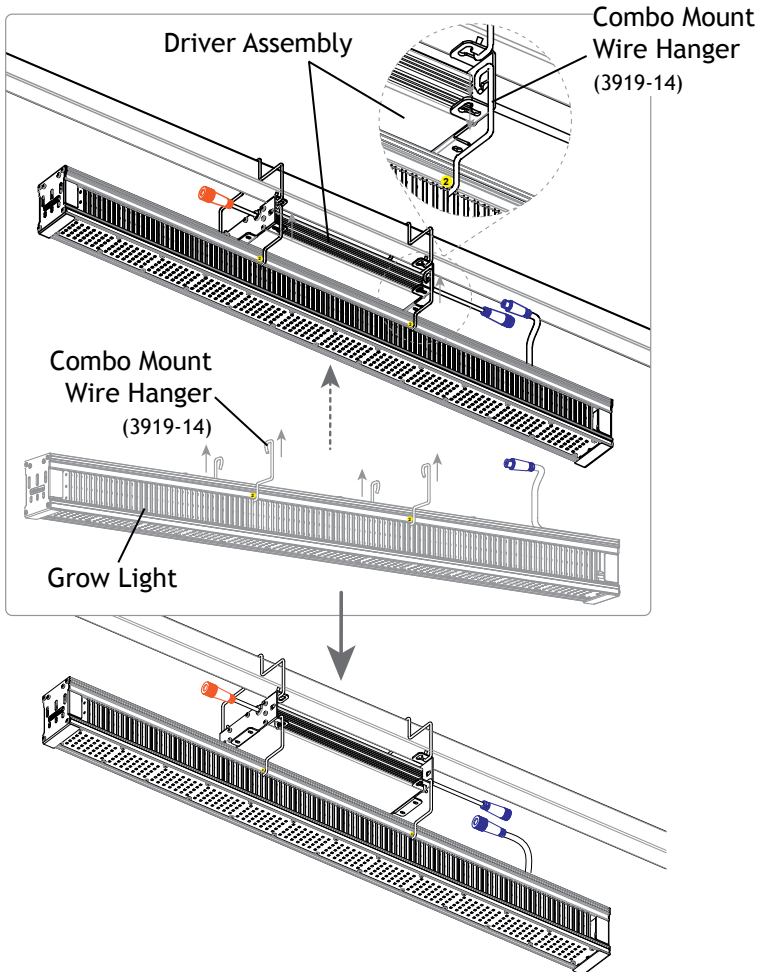
- B. Rotate the combo mount wire hangers (3919-14) until the grow light sets on them properly.





2 Option 2 - Combo Mount Wire Hanger (3919-14) - Continued

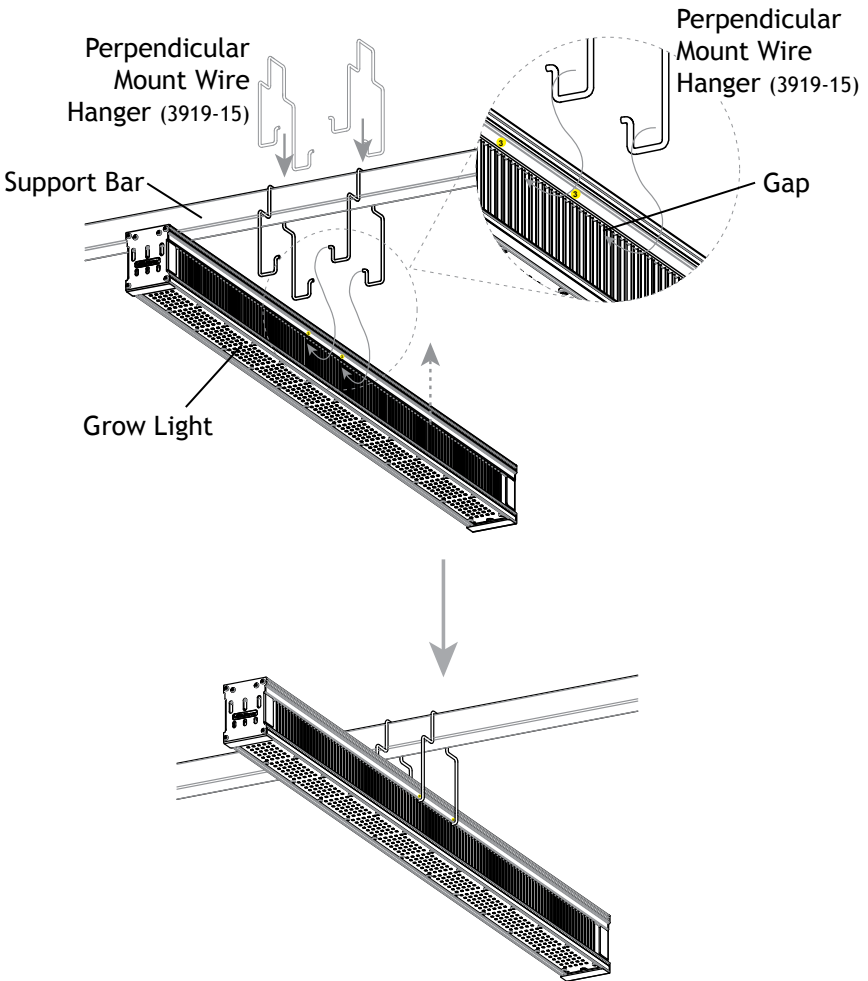
- C. To hang the grow light on the bottom of the driver assembly. Hold the hook ends of combo mount wire hangers (3919-14) to lift the grow light up to the driver. Place the hooks into the holes on the driver assembly as shown. Make sure the grow light is secured before releasing your hands.



1 Option 3 - Perpendicular Mount Wire Hanger (3919-15)

Attach two perpendicular mount wire hangers (3919-15) onto the support bar. Lift the grow light up to the support bar. Put the hooks at the ends of perpendicular mount wire hangers (3919-15) into the gaps on the grow light as shown. These gaps are marked with “3” in the below sketch diagram. The grow light will be secure with two perpendicular mount wire hangers (3919-15) .

Make sure the grow light is secured safely before releasing your hands.

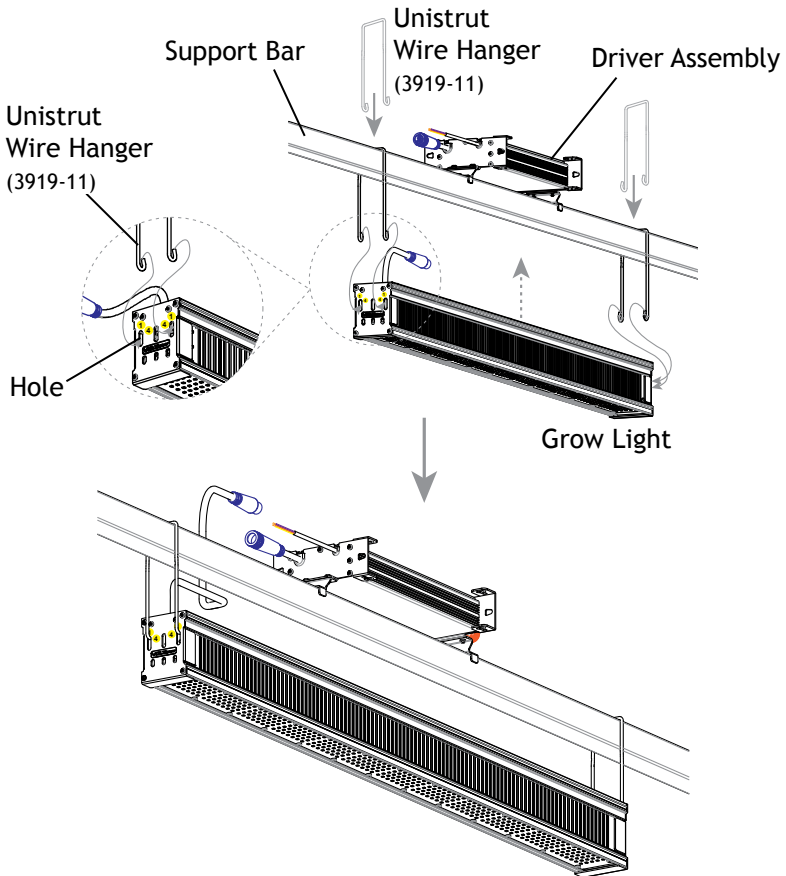




1 Option 4 - Unistrut Wire Hanger (3919-11)

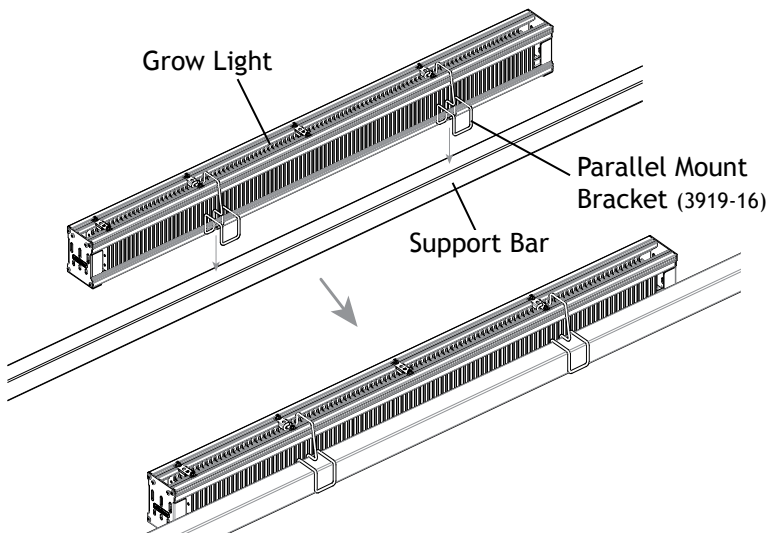
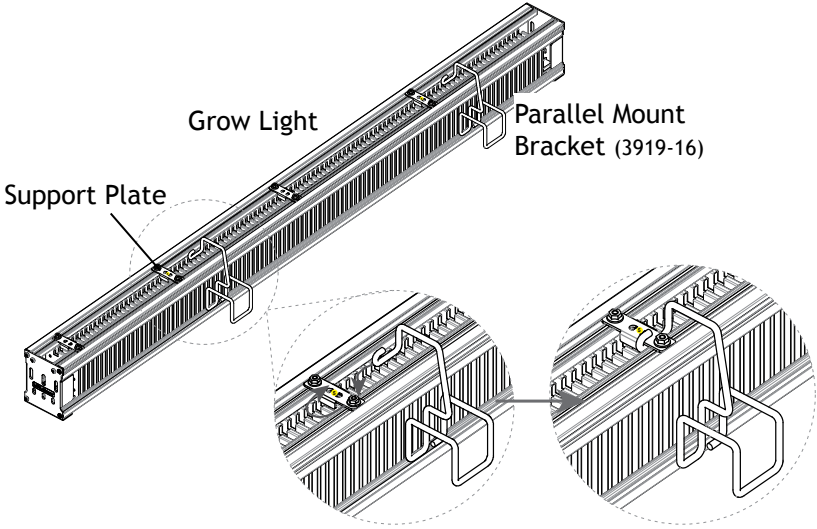
Place two unistrut wire hangers (3919-11) on two sides of the driver assembly. Attach two unistrut wire hangers (3919-11) onto the support bar. Lift the grow light up to the support bar. Put the hooks at the ends of unistrut wire hangers (3919-11) into the holes on the ends of the grow light as shown. These holes are marked with “4” in below diagram. The grow light will be secure with two unistrut wire hangers (3919-11).

Make sure the grow light is secured safely before releasing your hands.



1 Option 5 - Parallel Mount Bracket (3919-16)

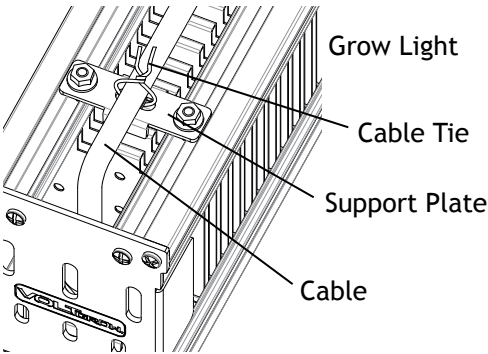
- A. Find the support plates on the back of the grow light. Pass the parallel mount brackets (3919-16) through the gap between the grow light and the support plate as shown. The grow light will be supported by two parallel mount brackets (3919-16).
- B. Place the parallel mount brackets (3919-16) onto the support bar. Make sure the grow light is secured safely before releasing your hands.





Connect Wires

1 Tie Slack Cable to Support Plate

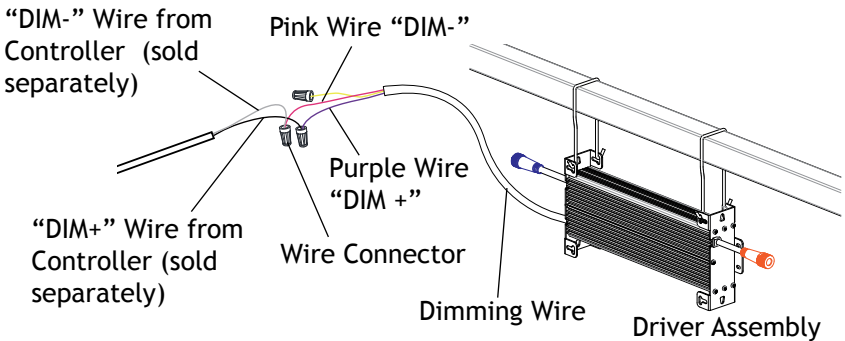


Trace the slack cable along the top of the grow light. Tie the cable to the support plate by using the cable tie.

2 Connect Dimming Wire from Controller to Driver Assembly

Using a UL listed wire connector, connect one dimming wire (purple wire “DIM +”) from the driver assembly to “DIM+” wire from controller (sold separately). Then connect the other dimming wire (pink wire “DIM-”) from the driver assembly to the “DIM-” wire from controller (sold separately).

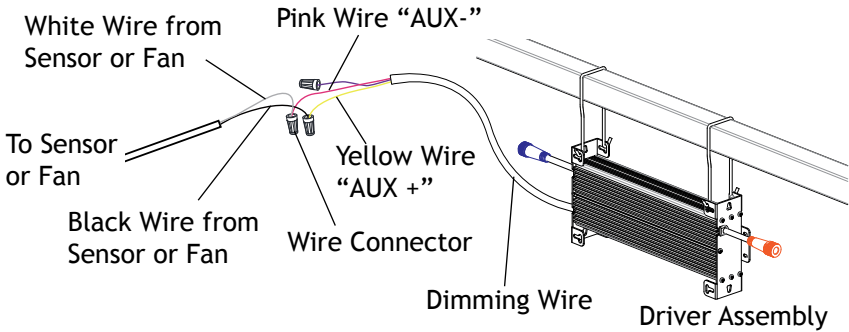
Note: Cap unused lead with UL listed wire connector.



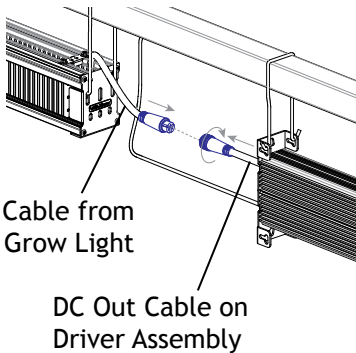
3 Connect Sensor or Fans to Driver Assembly (If Applicable)

Using a UL listed wire connector, connect the yellow wire “AUX +” of the driver assembly to the black wire from sensor or fan. Connect the pink wire “AUX-” of the driver assembly to the white wire from the sensor or fan.

Note: Cap unused lead with UL listed wire connector.



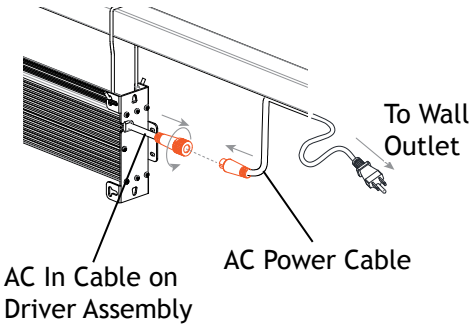
4 Connect DC Cables



Connect the cable from the grow light to the DC Out cable on the driver assembly.



5 Connect AC Power Cable



Connect the AC power cable to the AC In cable on the driver assembly. Insert the plug on the AC power cable into the wall outlet.

Note: AC Power Cable varies according to different volt range. Refer to the following chart for detailed information.

Input Voltage	Plug Style	Plug Model Number	Wire Spec
120V-277V	120V Plug	NEMA 5-15P	600V, 105° Celsius degree, 3*18AWG, UL_S00W
	240V Plug	NEMA 6-15P	
	277V Plug	NEMA L7-15P	
347V-480V	347V Plug	NEMA L24-20P	
	480V (Direct wire)	/	

Troubleshooting

Descriptions	Causes/Solutions
No light output.	<ol style="list-style-type: none"> Power cord isn't connected properly or connections are loose. <ol style="list-style-type: none"> Check the power cable connections.
Light burn or light stress (Green plants leaves or tips becoming yellow unnaturally).	<ol style="list-style-type: none"> LED lights are too close to green plants. <ol style="list-style-type: none"> Move your LED lights further away from green plants right away.

Specifications and product details subject to change without notice.

© Copyright 2022, VOLT® Lighting, Lutz FL USA 33549 • All rights reserved.
customersupport@voltlighting.com • 813.978.3700