

INSTALLATION INSTRUCTIONS



VOLT® Low Voltage Landscape Lighting
VOLT® Customizable Bollard Light
VPL-1019-26-4-BBZ

Help Hotline:

1-813-978-3700 • Mon-Fri 8am-8pm • Sat-Sun 10am - 6pm (EST)

Specifications and product details subject to change without notice.
© Copyright 2021, VOLT® Lighting, Lutz FL USA 33549 • All rights reserved.
customersupport@voltlighting.com • 813.978.3700



Important: Please Read Before Installation

This fixture is intended for installation in accordance with local codes and the National Electric Code (NEC). Failure to adhere to these codes and instructions may result in serious injury, property damage and void the warranty.

These instructions do not intend to cover all variations in installation, operation maintenance or mounting situations.

1. Make sure that the power is turned OFF before installing or servicing this fixture.
2. Warning: this fixture is not intended to be installed within 10 feet [3 meters] of a pool, spa or fountain.
3. This fixture is intended to be used only with a power supply (transformer) rated maximum of 50 watts (25 AMPS) at 12 volts.
4. Underground Low Energy Cable must not be buried over 6" (15.2 cm) in order to connect to the main low voltage cable.
5. Wiring connections must be made with UL listed wire connectors that are suitable for outdoor use.
6. Position the wire connector so that it is located within 6 inches (15.2 cm) from a building structure, a luminaire, or fitting.

Important Safety Instructions

LIGHTED LAMP IS HOT!

WARNING - TO REDUCE THE RISK OF FIRE OR INJURY TO PERSONS.

1. Turn off/unplug and allow to cool before reducing lamp.
2. Lamp gets HOT quickly!
3. Do not touch the hot lens, guard or cowl.
4. Keep lamp away from materials that may burn.
5. Do not touch lamp at any time.
6. Use a soft cloth.
7. Oil from skin may damage lamp.
8. Do not operate the fixture with a damaged or missing lens or shield.

Package Contents

A. (1) Fixture Body

B. (2) Bi-Pin Brass Puck Lights

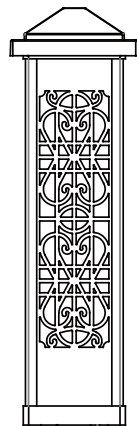
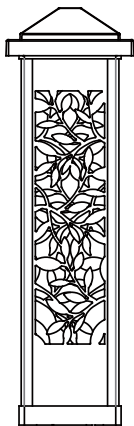
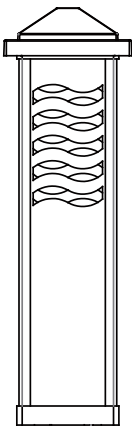
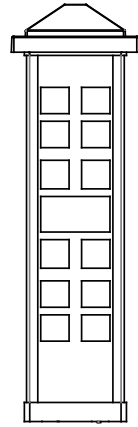
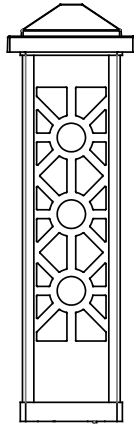
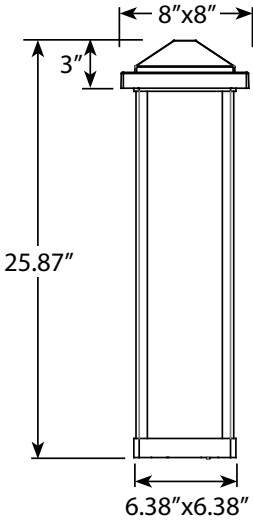
C. (2) Threaded Couplers

Parts Required

A. (4) Side Panels

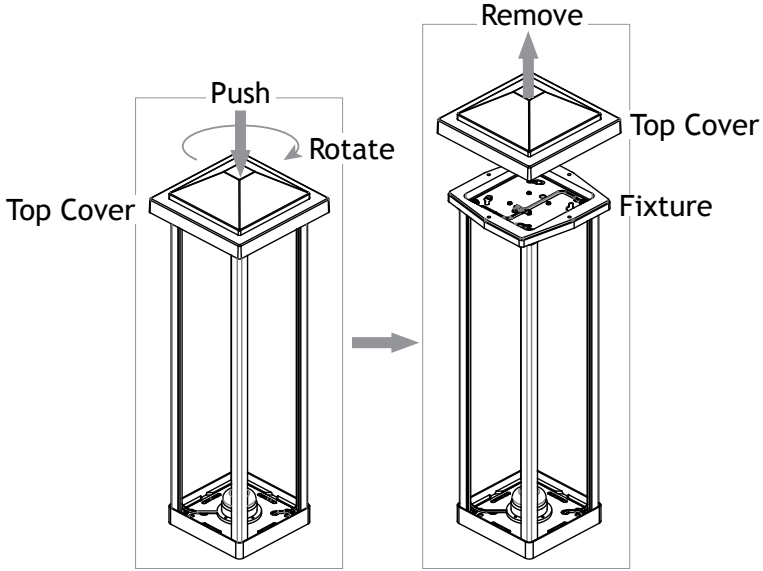
B. Mounting Accessory

Product Dimensions



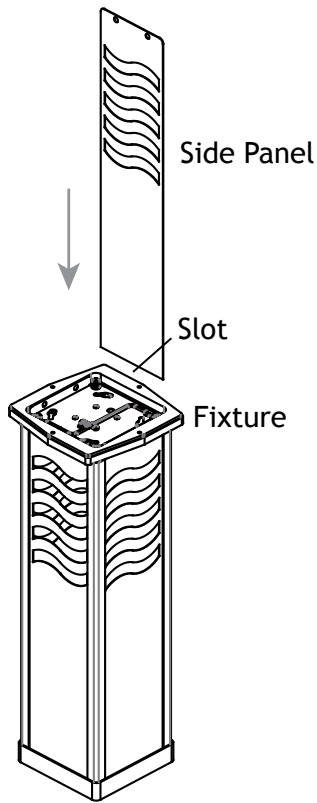


1 Remove Top Cover

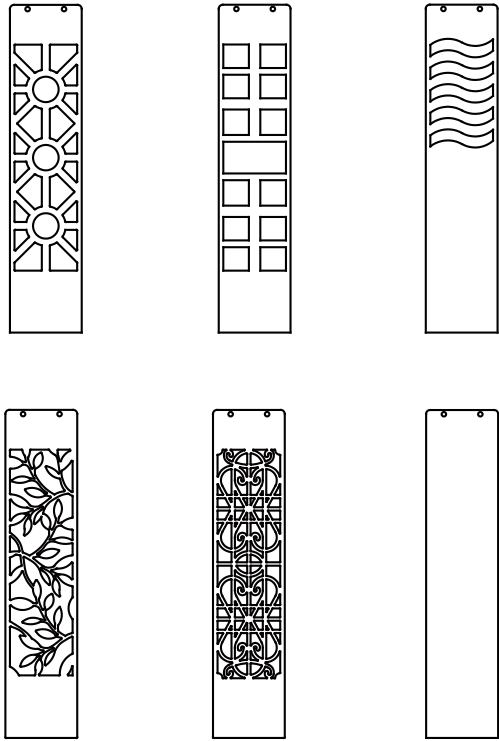


Push the top cover down and rotate it clockwise to remove it from the fixture.

2 Install Side Panels



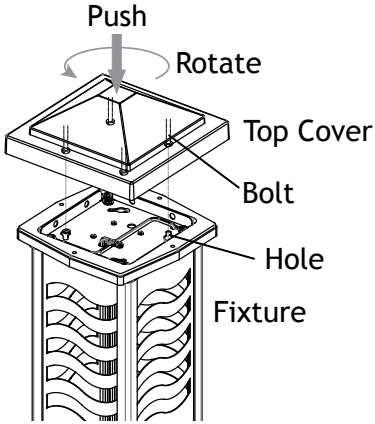
OPTIONAL SIDE PANELS



Insert the side panels of your choice into the slots on the fixture body.

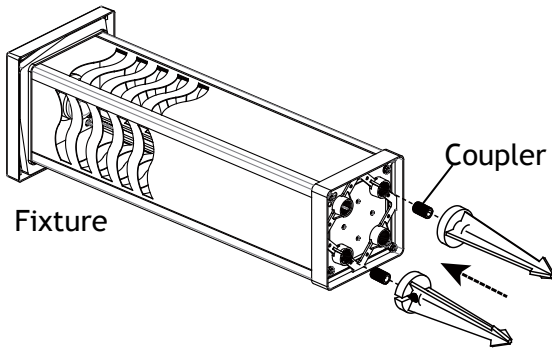


3 Install Top Cover



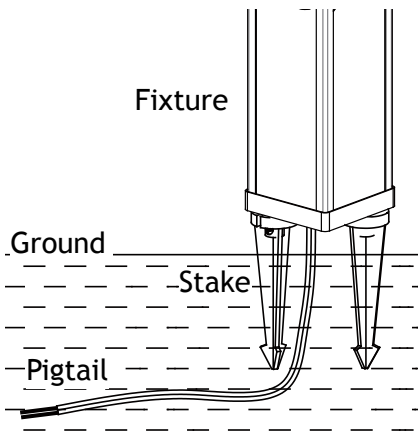
Align the bolts on the top cover to the holes on top of the fixture. Insert the bolts into the holes and push down. Then rotate the top cover counter clockwise to secure it in place.

4 Install Stakes to Fixture



Lay the fixture down on a flat surface. Twist the couplers into the mounting holes on the bottom of the fixture. Then thread the stakes onto the couplers. Hand tighten until snug to secure the stakes to the fixture.

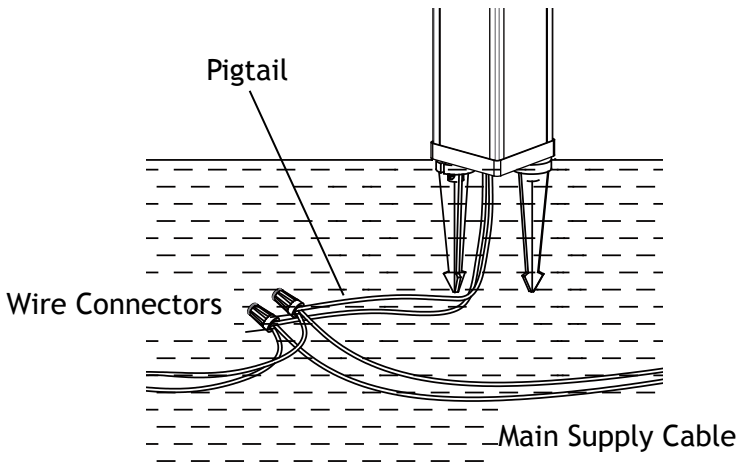
5 Install Fixture



Determine the desired location for the fixture. Insert the stakes into the ground until flange of stakes are flush to grade.

NOTE: If the ground is hard and the stakes are difficult to install, make a crosscut in the ground using a flat shovel.

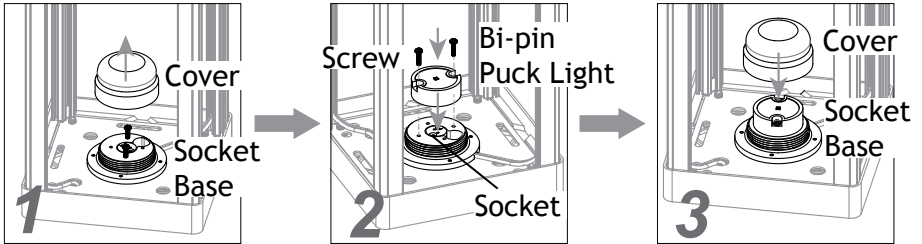
6 Wire Connection



Strip both leads from the luminaire pigtail. Using two UL listed wire connectors (sold separately), connect the leads from the fixture to the main supply cable leads.



7 Replace Bi-Pin



1. Remove the cover off the bottom and top of the fixture.
2. Using a screwdriver, remove the two screws from the socket base. Insert the Bi-pin brass puck light onto the socket and secure with the two screws.
3. Thread the previously removed cover back onto the socket base.

CAUTION: This fixture is for LED use only. Do not exceed maximum wattage marked on luminaire label.

NOTE: DO NOT touch the Bi-pin brass puck light with bare hands. Use soft cloth to handle the puck light.