

INSTALLATION INSTRUCTIONS



VOLT® Low Voltage Landscape Lighting
12V Mini Rotunda Bollard
VPL-1041-4-BBZ

Help Hotline:

1-813-978-3700 • Mon-Fri 8am-8pm • Sat-Sun 10am - 6pm (EST)

Specifications and product details subject to change without notice.
© Copyright 2019, VOLT® Lighting, Lutz FL USA 33549 • All rights reserved.
customersupport@voltlighting.com • 813.978.3700



! Important: Please Read Before Installation

This luminaire is intended for installation in accordance with local codes and the National Electric Code (NEC). Failure to adhere to these codes and instructions may result in serious injury, property damage and void the warranty.

These instructions do not intend to cover all variations in installation, operation maintenance or mounting situations.

1. Make sure that the power is turned OFF before installing or servicing this fixture.
2. Warning: this fixture is not intended to be installed within 10 feet [3 meters] of a pool, spa or fountain.
3. This fixture is intended to be used only with a power supply (transformer) rated maximum of 300 watts (25 AMPS) at 15 volts.
4. Underground Low Energy Cable must not be buried over 6" (15.2 cm) in order to connect to the main low voltage cable.
5. Wiring connections must be made with UL Listed wire connectors that are suitable for the application.
6. Position the wire connector so that it is located within 6 inches (15.2 cm) from a building structure, a luminaire, or fitting.

! Important Safety Instructions

INSTRUCTIONS PERTAINING TO A RISK OF FIRE, OR INJURY TO PERSONS **Lighted lamp is HOT!**

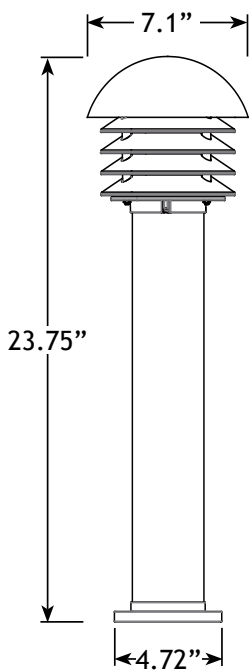
WARNING - To reduce the risk of FIRE OR INJURY TO PERSONS.

1. Turn off/unplug and allow to cool before reducing lamp.
2. Lamp gets HOT quickly!
3. Do not touch the hot lens, guard or cowl.
4. Keep lamp away from materials that may burn.
5. Do not touch lamp at any time.
6. Use a soft cloth.
7. Oil from skin may damage lamp.
8. Do not operate the fixture with a damaged or missing lens or shield.

Package Contents

- A. (1) Fixture Body
- B. (1) Coupler

Product Dimensions



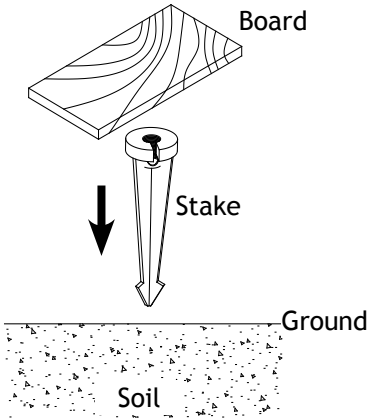
Two installation options are available for this fixture.

1. Stake mount (option 1): Step 1 - Step 2, then go to Step 4.
2. Surface mount (option 2): Step 3, then go to Step 4.



Stake Mount (Option 1)

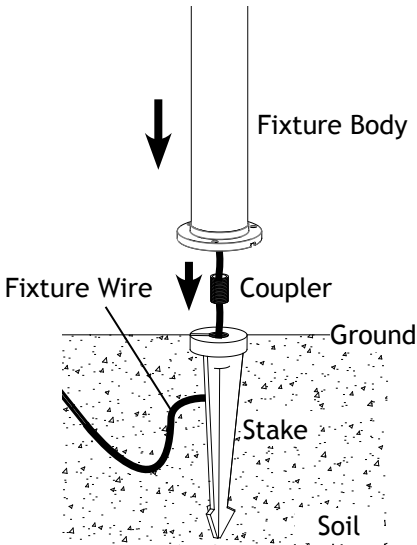
1 Install Stake



Determine the desired location for mounting the stake mount. Hammer the stake into the ground until flange of stake is flush to grade. To avoid damage to the stake, place a board on top of the stake while hammering.

Note: If the ground is hard and the stake is difficult to install, make a crosscut in the ground using a flat shovel.

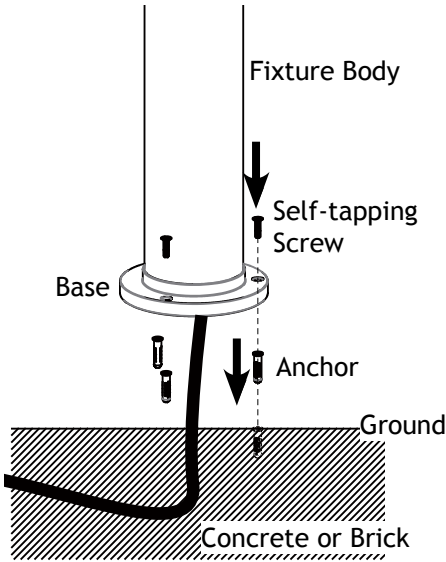
2 Install Fixture Body to Stake



Pass the fixture wire through the coupler and the center hole of the stake. Thread the fixture body, the coupler and the stake together. Hand tighten until snug.

Surface Mount (Option 2)

3 Install Fixture Body with Self-tapping Screws

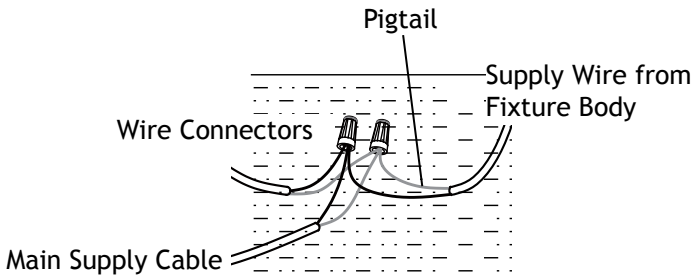


Place the fixture body on the desired location and make three marks on the ground using the holes on the base.

Remove the fixture body and drill proper holes into the ground.

Insert the anchors into the drilled holes, then place the base of the fixture body onto the anchors and secure by threading self-tapping screws into anchors. Hand tighten with a screwdriver.

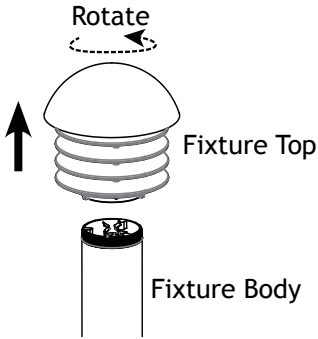
4 Wire Connections



Strip both leads from fixture body. Using two wire connectors (sold separately), connect the leads from the fixture body to the main supply cable leads.

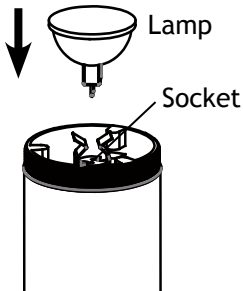


5 Remove Fixture Top



Rotate the fixture top and remove it from the fixture body.

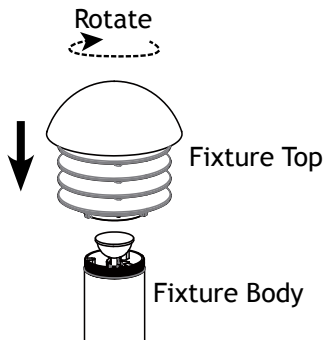
6 Install Lamp



Insert the lamp with correct wattage and type marked on the fixture label and secure tightly into place.

CAUTION: Do not exceed maximum wattage marked on luminaire label.

7 Install Fixture Top



Thread the fixture top back onto the fixture body. Hand tighten until snug.

Install/Replace Lamp

Please reverse Step 5 - Step 7 to expose the lamp and replace it with the correct wattage and type marked on the fixture label. And then reinstall the fixture top.

IMPORTANT: Lamp must be protected from moisture and dust at all times. Always reinstall the fixture top when removed.



Help Hotline:

1-813-978-3700 • Mon-Fri 8am-8pm • Sat-Sun 10am - 6pm (EST)

www.voltlighting.com

Specifications and product details subject to change without notice.
© Copyright 2019, VOLT® Lighting, Lutz FL USA 33549 • All rights reserved.
customersupport@voltlighting.com • 813.978.3700

IS-VPL-1041-4-BBZ-ver1.pdf